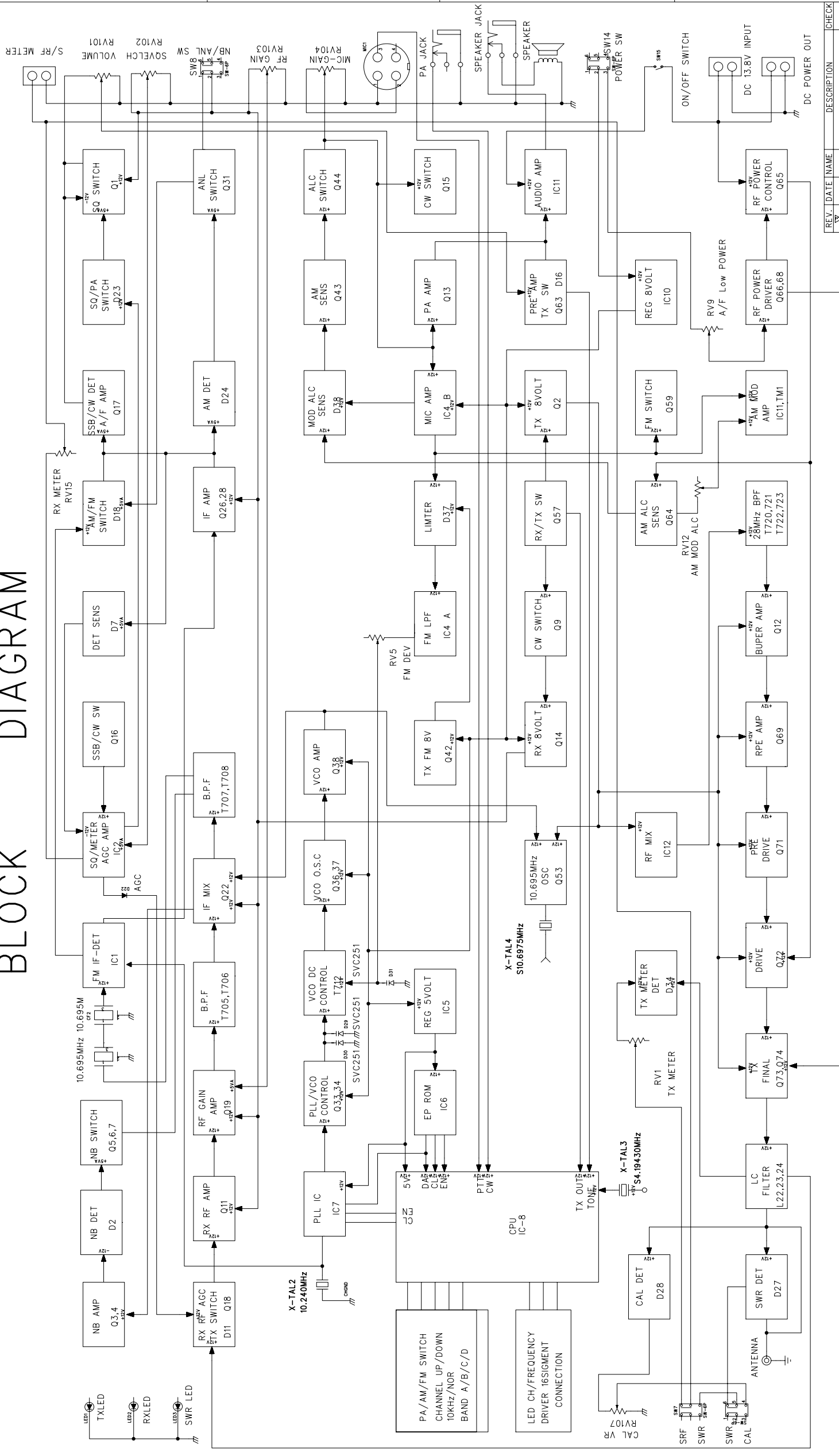


BLOCK DIAGRAM



REV.	DATE	NAME	DESCRIPTION	CHECK
1	12/18/95			
2	10/25/95			
LIMIT		SCALES	SHEET	
DRAWN		CHK.	APP.	
BUYER NAME :				
MODEL NAME :				
DRAWING NO. :		95/04/13		