

1

2

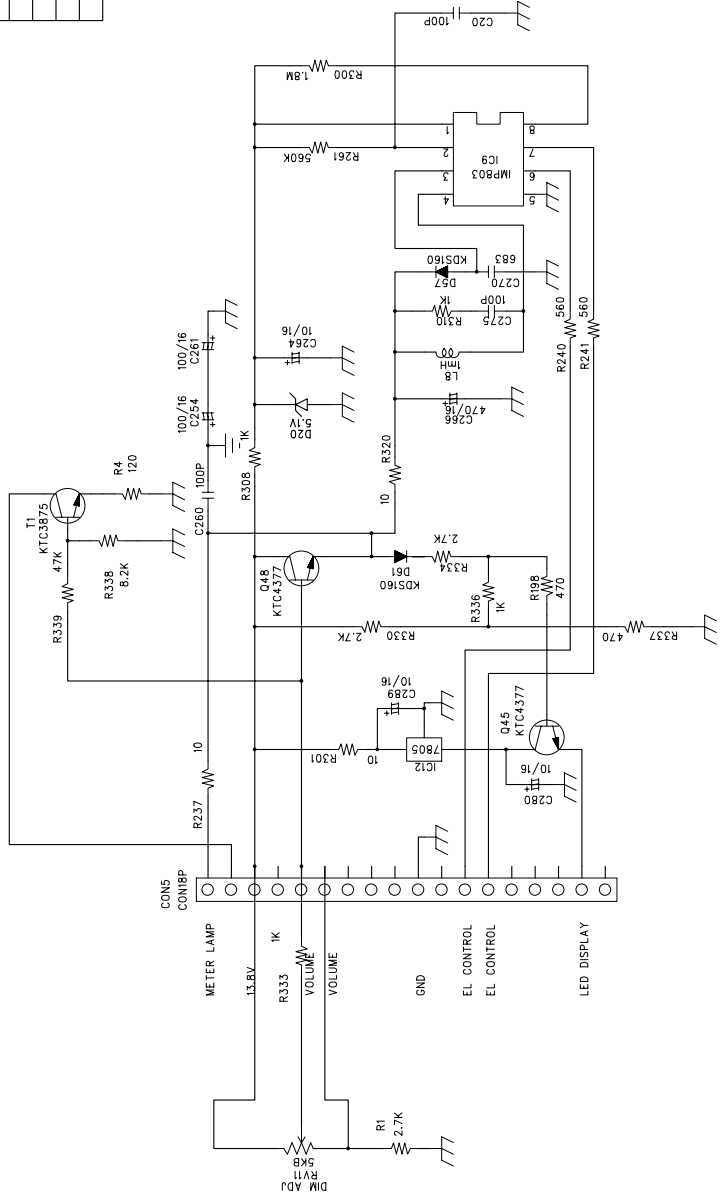
3

4

5

6

| REVISION RECORD |       |
|-----------------|-------|
| LTR             | DATE: |
|                 |       |
|                 |       |
|                 |       |
|                 |       |
|                 |       |



COMPANY:

TITLE:

|                  |        |
|------------------|--------|
| DRAWN:           | DATED: |
| CHECKED:         | DATED: |
| QUALITY CONTROL: | DATED: |
| RELEASED:        | DATED: |

DRAWING NO:

SIZE:

CODE:

REV:

SHEET: OF

SCALE: