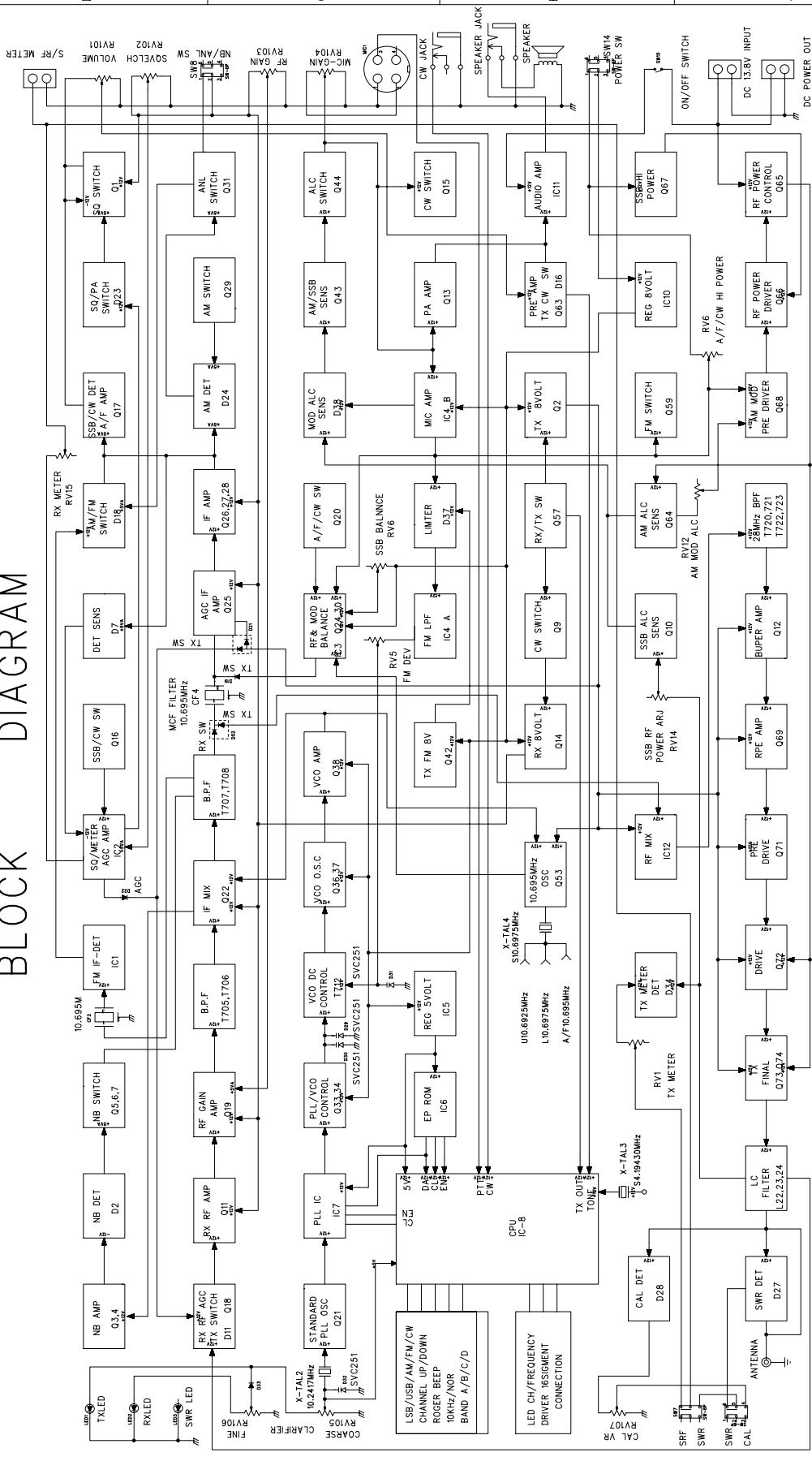


BLOCK DIAGRAM



REV.	DATE	NAME	DESCRIPTION	CHECK
1	12/29/79			
2	01/26/80			
3	02/02/80			
4	02/02/80			
5	02/02/80			
6	02/02/80			

DRAWING NAME :	BUYER NAME :
DESIGNER :	MODEL NAME :
DATE :	DRAWING NO. :