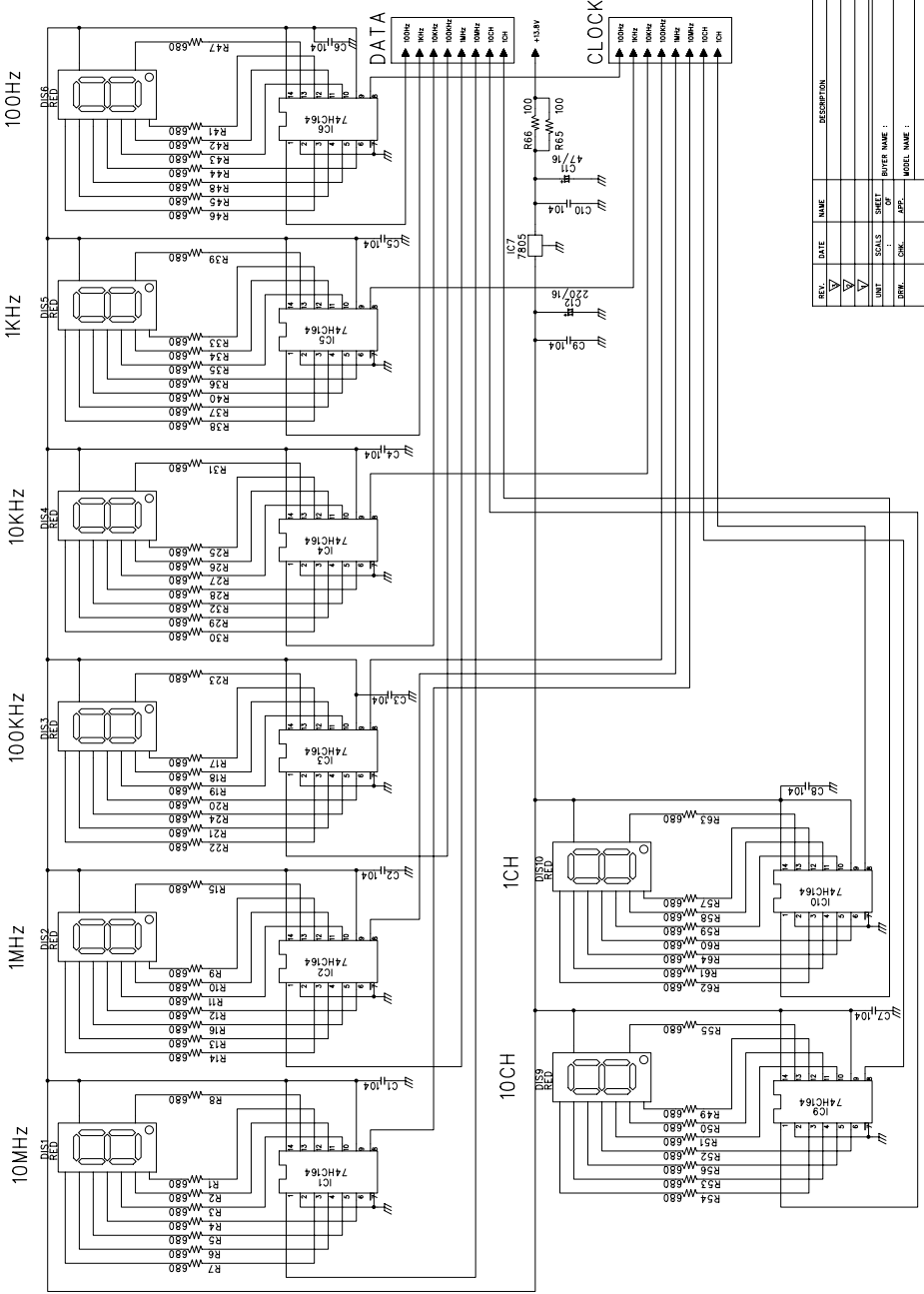


1 2 3 4 5 6

REV.	DATE	NAME	DESCRIPTION	CHECK

BUYER NAME :  
 SHEET :  
 UNIT :  
 DWN. :  
 DESK. APP. :  
 MODEL NAME :  
 DRAWING NO. :



A B C D