

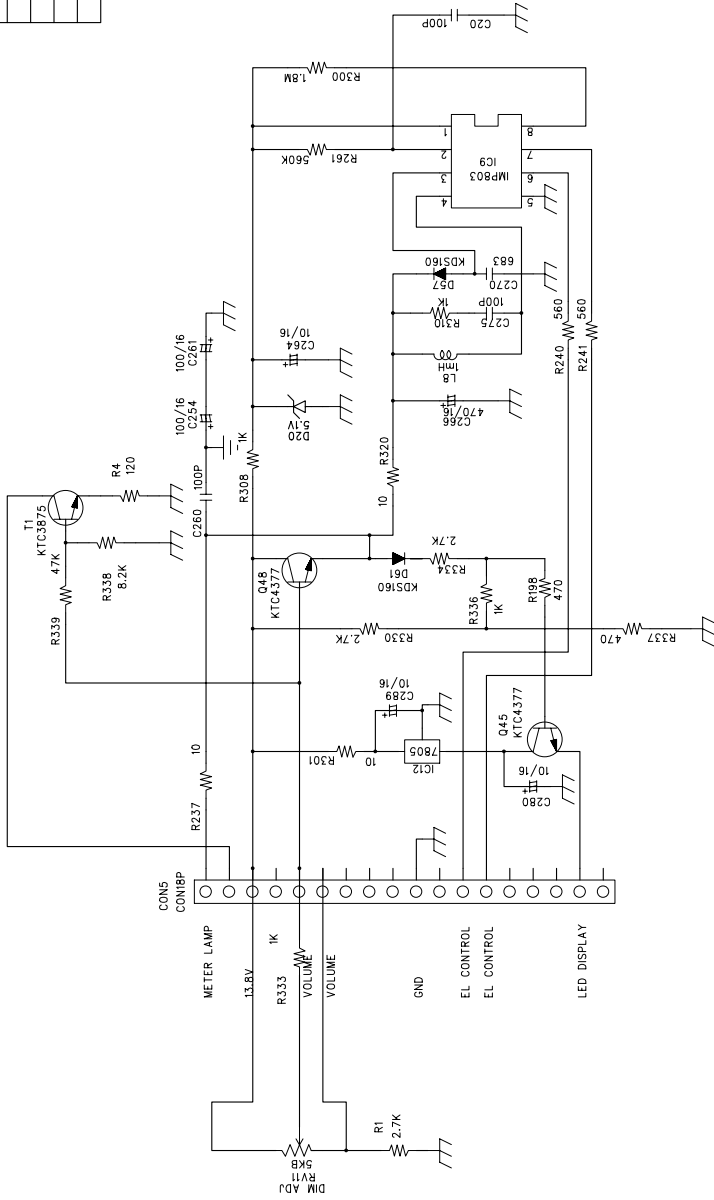
REVISION RECORD	
LTR	DATE:
ECO NO:	APPROVED:

D

C

B

A



COMPANY:

TITLE:

DRAWN:	DATED:
CHECKED:	DATED:
QUALITY CONTROL:	DATED:
RELEASED:	DATED:

REV: DRAWING NO: SIZE: CODE: SCALE: SHEET: OF

D

C

B

A