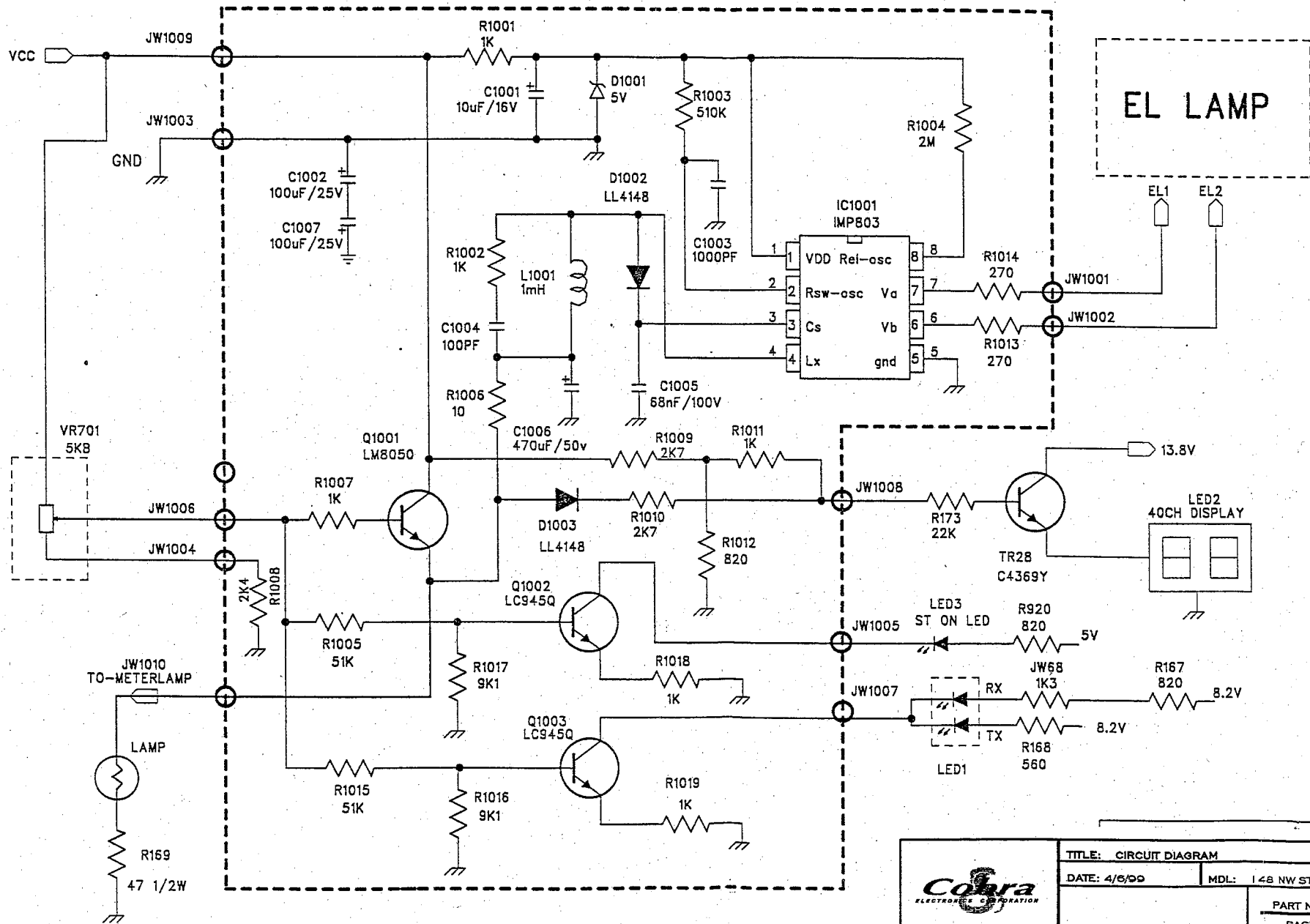


CIRCUIT DIAGRAM FOR COBRA 148GTL-ST NIGHT-WATCH



<p style="font-size: 8px; margin-top: 5px;">6500 W. CORTLAND ST. CHICAGO, ILLINOIS 60707</p>	TITLE: CIRCUIT DIAGRAM	
	DATE: 4/8/99	MDL: 148 NW ST
PART NO./DRAWING NO.		PAGE 2 OF 2

