

RF AMPLIFIER

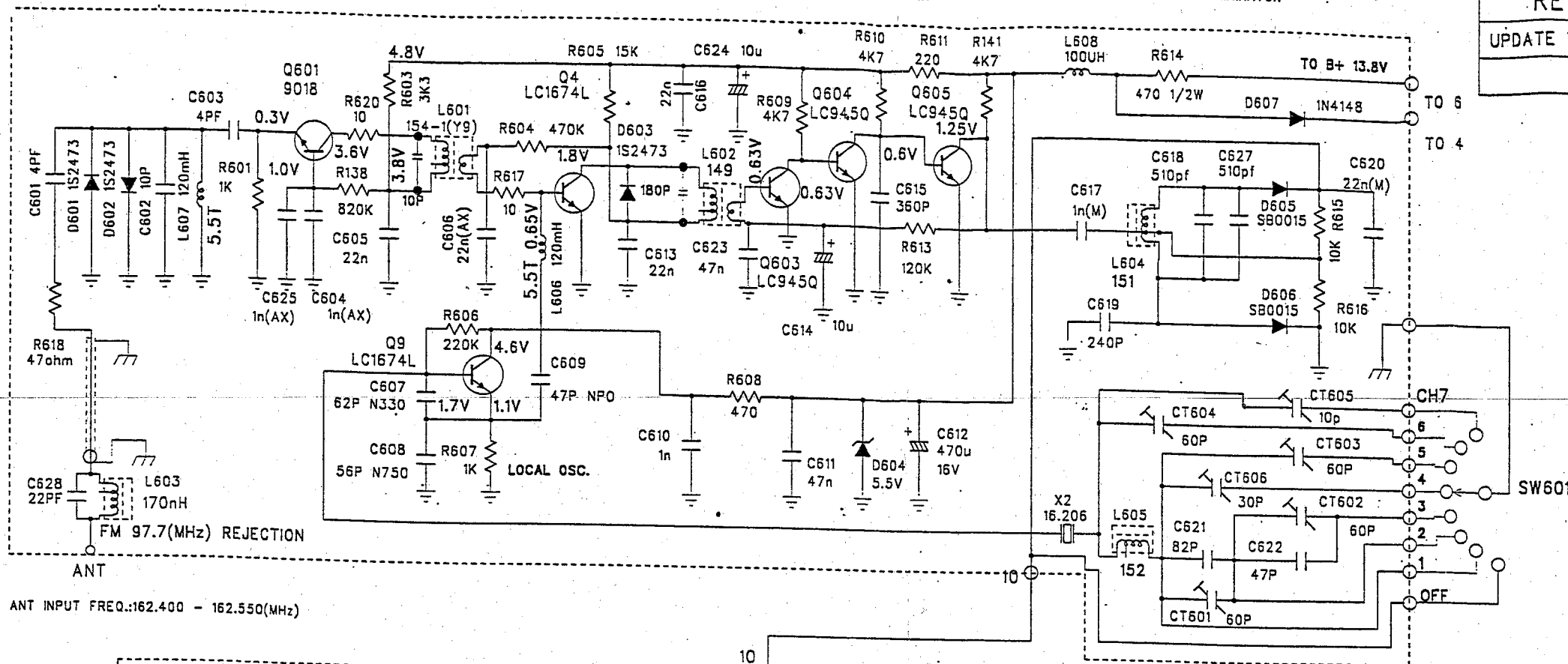
MIXER

IF AMPLIFIER

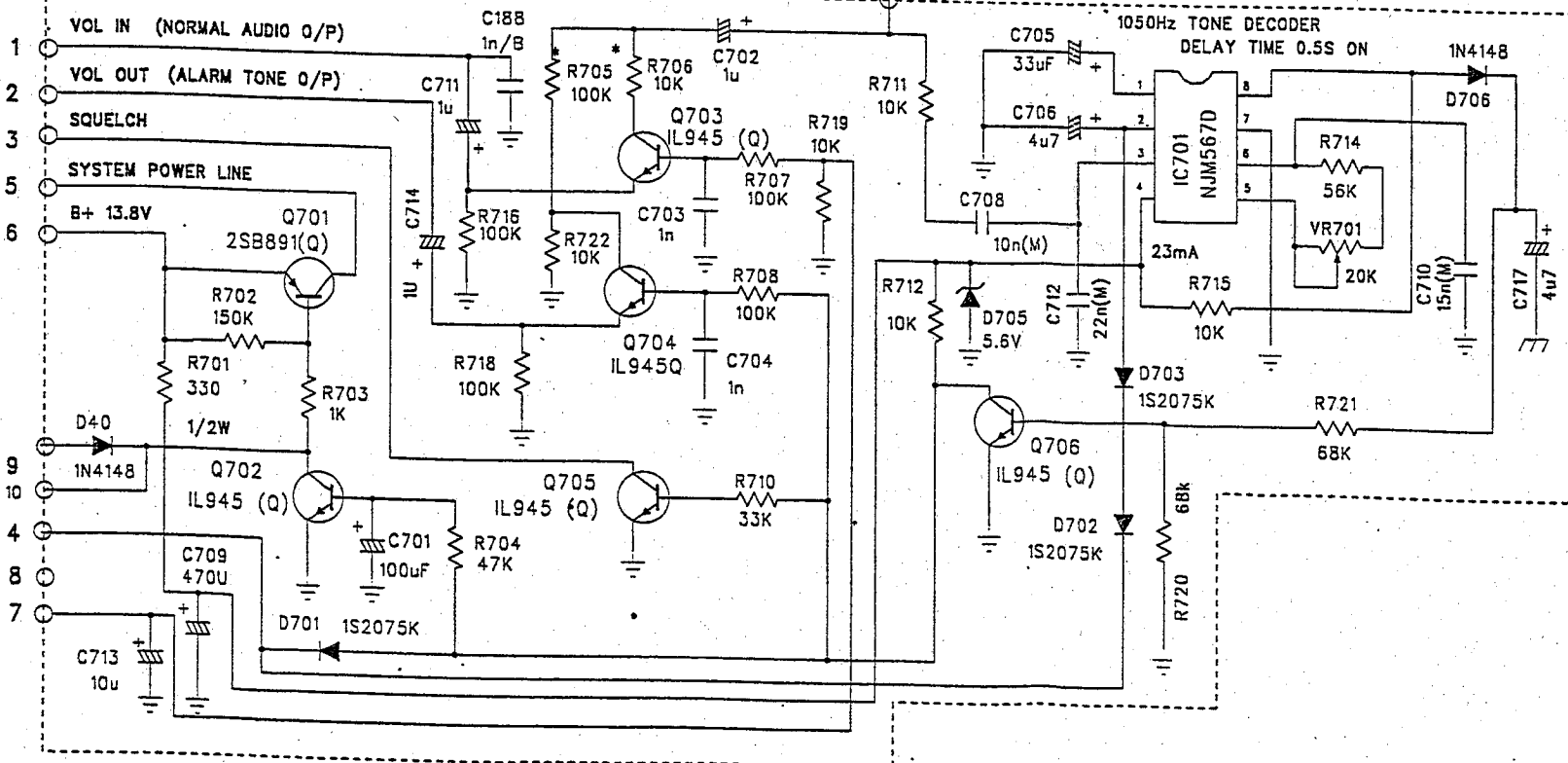
DESCRIMINATOR

REVISION RECORD

UPDATE TO ECN APPROVED: DATE:



ANT INPUT FREQ.: 162.400 - 162.550(MHz)



BEAT NOTE CONTROL
USE CB25WX ONLY

WX CONTROL

TX CONTROL

WX CONTROL 8V

- 1) ALL RESISTOR ARE 1/8W EXCEPT SPECIFIED
- 2) * R705 IS 15K FOR CB29WX.
100K FOR CB25WX.
R706 IS 0 OHM FOR CB29.
47K FOR CB25.
- 3) C717 IS 4.7u DELAY TIME 0.8S
- 4) C717 IS 3.3u DELAY TIME 0.5S