

# **ALIGNMENT      PROCEDURE**

## **WEATHER RECEIVER SECTION**

MODEL: 25 LTD WX  
25 WX ST  
25 WX NW ST  
29 LTD WX  
29 WX ST  
29 WX NW ST

REVISION: 1.0

DATE: 2/18/2011

PREPARED BY: BURKE

Total Pages: 5 pages

# WEATHER ALIGNMENT INSTRUCTIONS

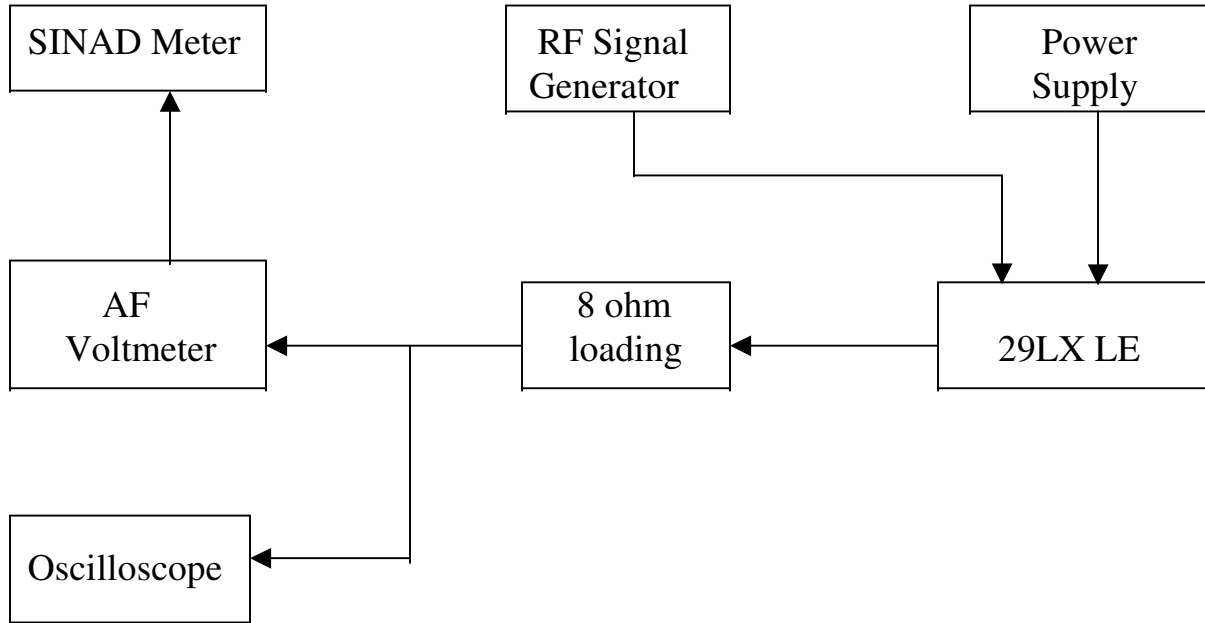
## 1.0 TEST CONDITION:

- 1.1. STANDARD DC POWER: 13.8VDC
- 1.2. MEASUREMENT CHANNEL: CH1 (162.400MHz)
- 1.3. STANDARD AUDIO LOADING: 8  $\Omega$
- 1.4. ANTENNA IMPEDANCE: 50  $\Omega$
- 1.5. STANDARD REF. MODULATION: 4KHz Deviation (FM)
- 1.6. STANDARD REF. AUDIO OUTPUT: 0.5W
- 1.7. FREQUENCY TABLE:

CH NO.	FREQ. (MHz)
1	162.400
2	162.425
3	162.450
4	162.475
5	162.500
6	162.525
7	162.550

## 2.0 TEST EQUIPMENT SETUP

A. RX test equipment setup:



### 3.0 ALIGNMENT OF RECEIVER SECTION

#### 3.1 Equipment required:

- a) Signal generator
- b) AF voltmeter
- c) Oscilloscope
- d) Dummy load ( 8 ohm, 5 watts, resistive)
- e) DC power supply ( 13.8VDC, 2 amp)

STEP	PRESET TO	ADJUST	PROCEDURE
1 PLL, VCO	CB/WX Switch: WX Weather Channel: 1 Volume: Maximum CW	L605, L604, L602, L601	Set SG to 162.400MHz with 1Khz audio, 4KHz Deviation, -100dbm signal level (approx. 2-3 $\mu$ V).  Adjust L605, L604, L602, L601 for maximum signal and minimum distortion
2 Channel 2 Sensitivity	Set the Weather Channel to channel 2	CT601	Adjust CT601 for maximum signal and minimum distortion.
3 Channel 3 Sensitivity	Set the Weather Channel to channel 3	CT602	Adjust CT602 for maximum signal and minimum distortion.
4 Channel 4 Sensitivity	Set the Weather Channel to channel 4	CT603	Adjust CT603 for maximum signal and minimum distortion.
5 Channel 5 Sensitivity	Set the Weather Channel to channel 5	CT604	Adjust CT604 for maximum signal and minimum distortion.
6 Channel 6 Sensitivity	Set the Weather Channel to channel 6	CT605	Adjust CT605 for maximum signal and minimum distortion.
7 Channel 7 Sensitivity	Set the Weather Channel to channel 7	CT606	Adjust CT606 for maximum signal and minimum distortion.
8 Weather Alert	Same as step 7	VR701	Connect a frequency counter to R714. Adjust VR701 for 1050Hz. Note: R714 and VR701 are located on the main board near the front of the radio.

# ALIGNMENT POINTS

