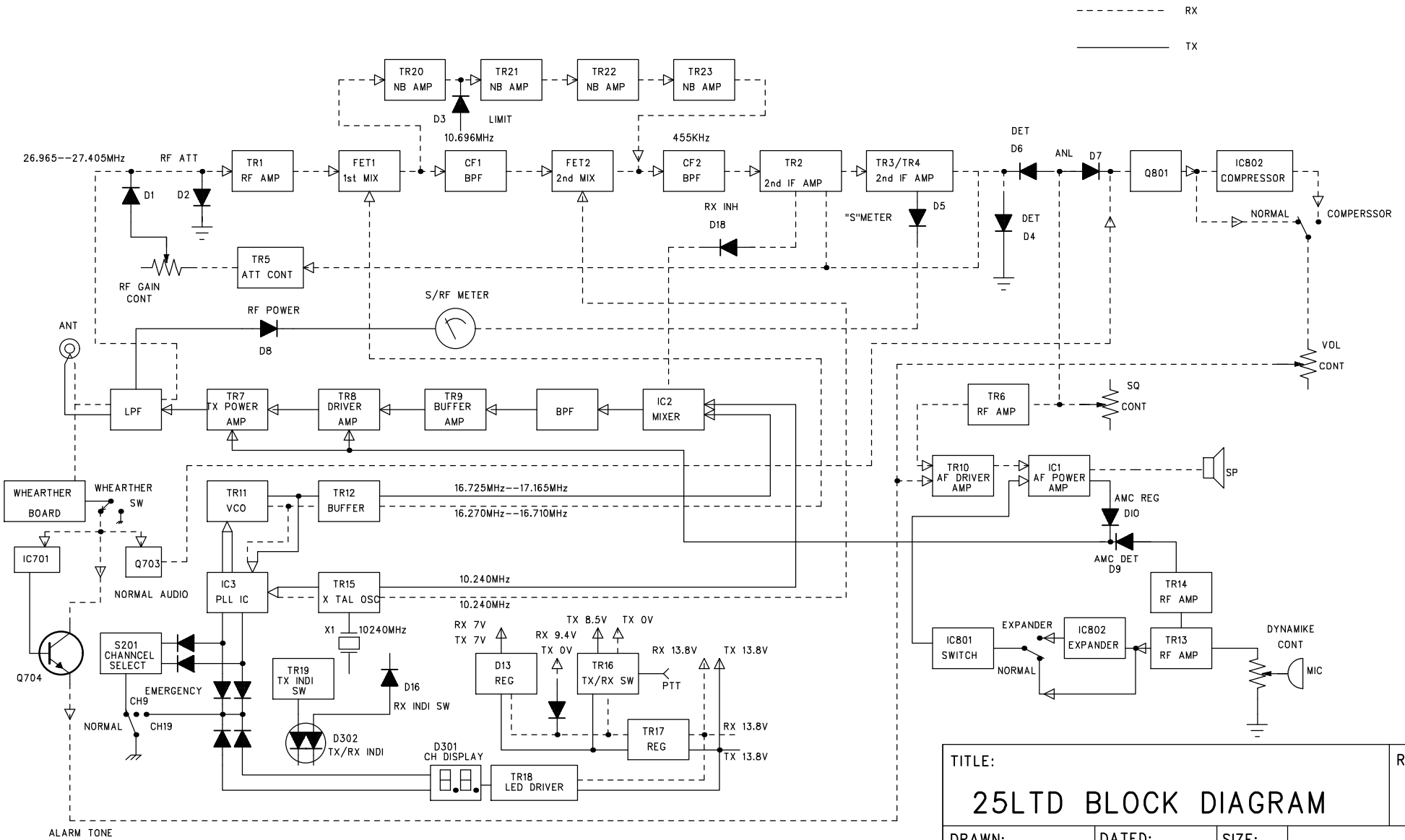


# 25LTD BLOCK DIAGRAM



TITLE: <b>25LTD BLOCK DIAGRAM</b>			REV: A
DRAWN: WJ.SONG	DATED: SEP.18 2000	SIZE: A3	SHEET: 1 OF 1
CHECKED:	DATED:	APPROVED:	DATED:

COMPANY: