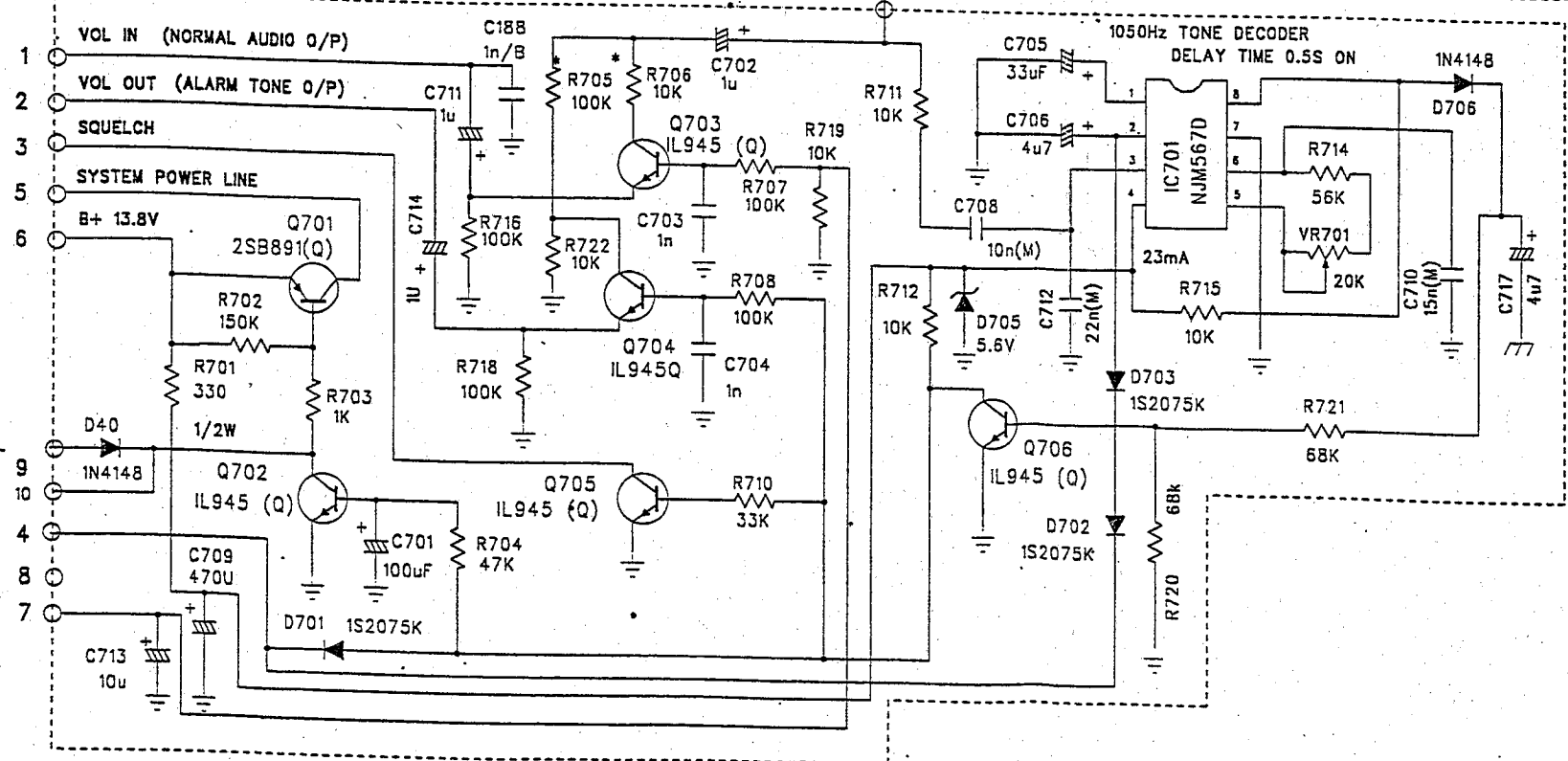
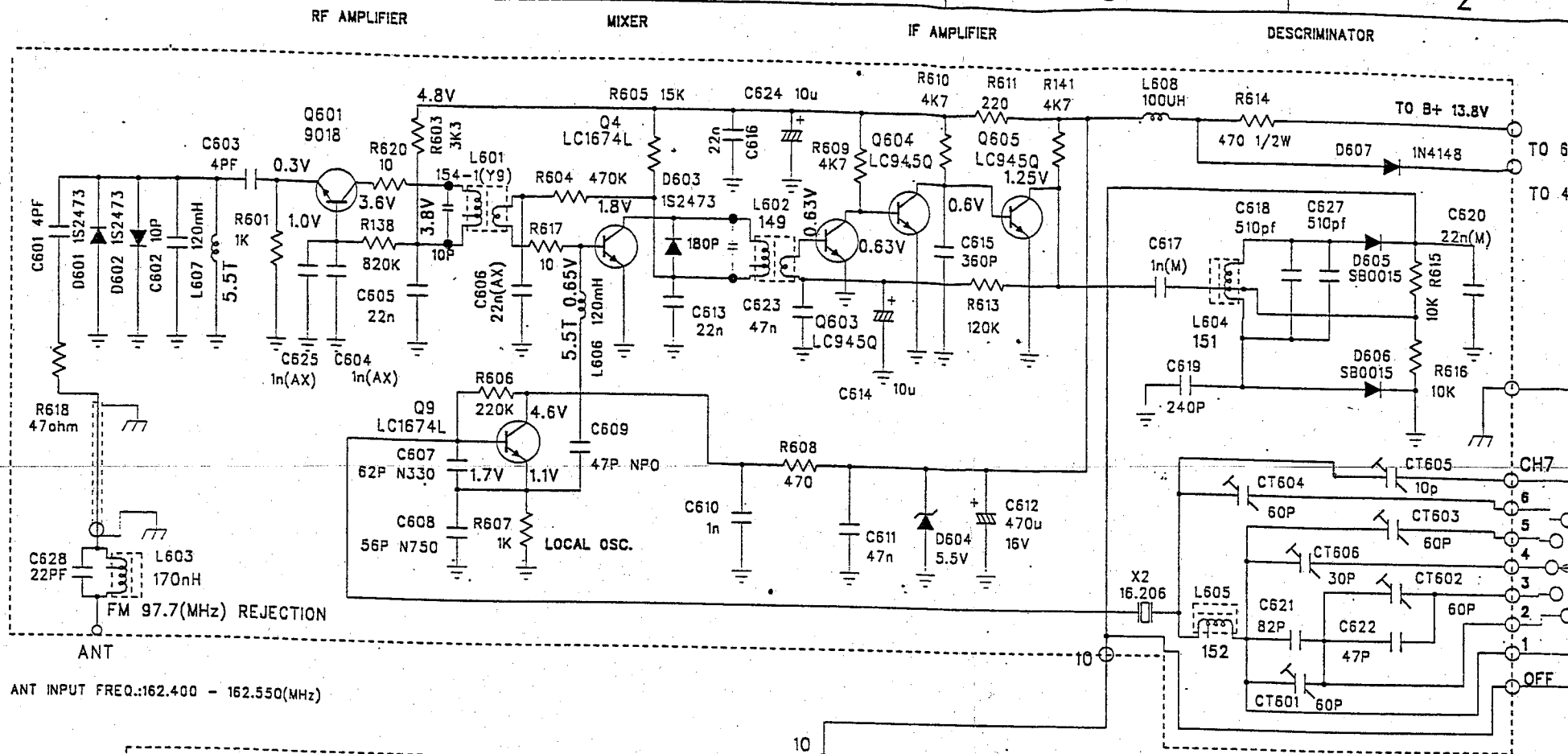


REVISION RECORD

UPDATE TO ECN: APPROVED: DATE:



- 1) ALL RESISTOR ARE 1/8W EXCEPT SPECIFIED
- 2) * R705 IS 15K FOR CB29WX.
100K FOR CB25WX.
R706 IS 0 OHM FOR CB29.
47K FOR CB25.
- 3) C717 IS 4.7u DELAY TIME 0.8S
- 4) C717 IS 3.3u DELAY TIME 0.5S