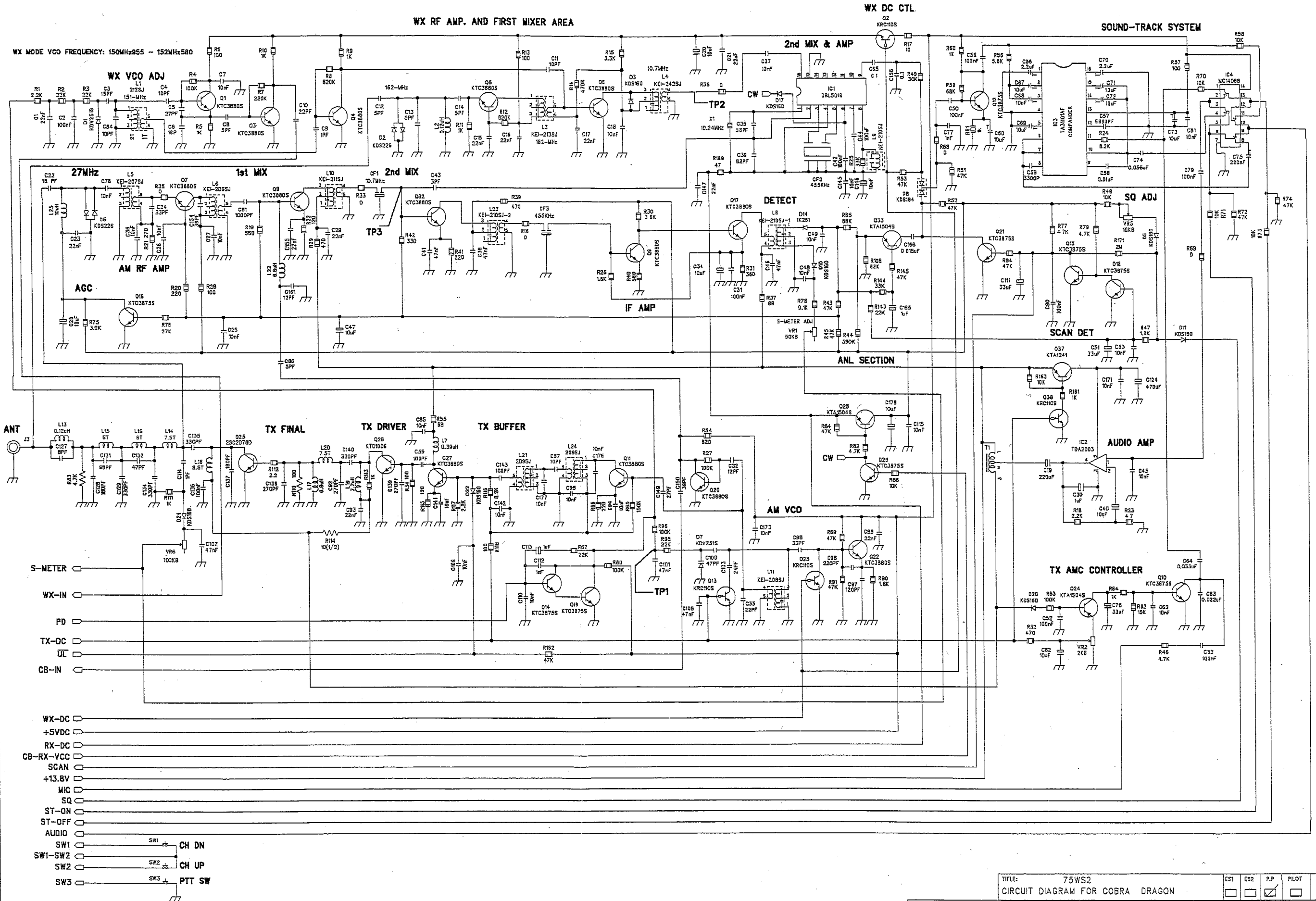
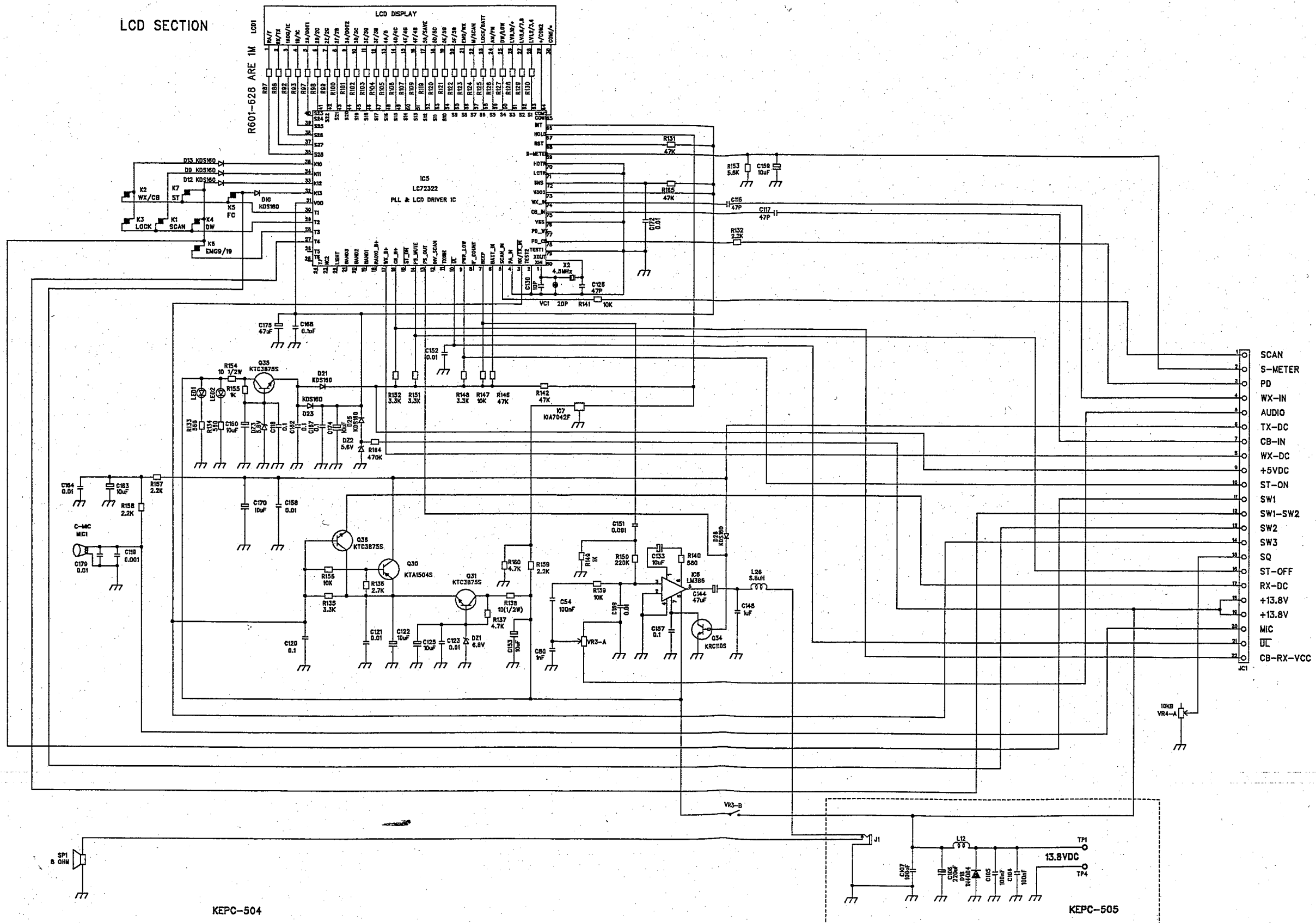


# CIRCUIT DIAGRAM FOR COBRA DRAGON



LCD SECTION



KEPC-504

KEPC-505