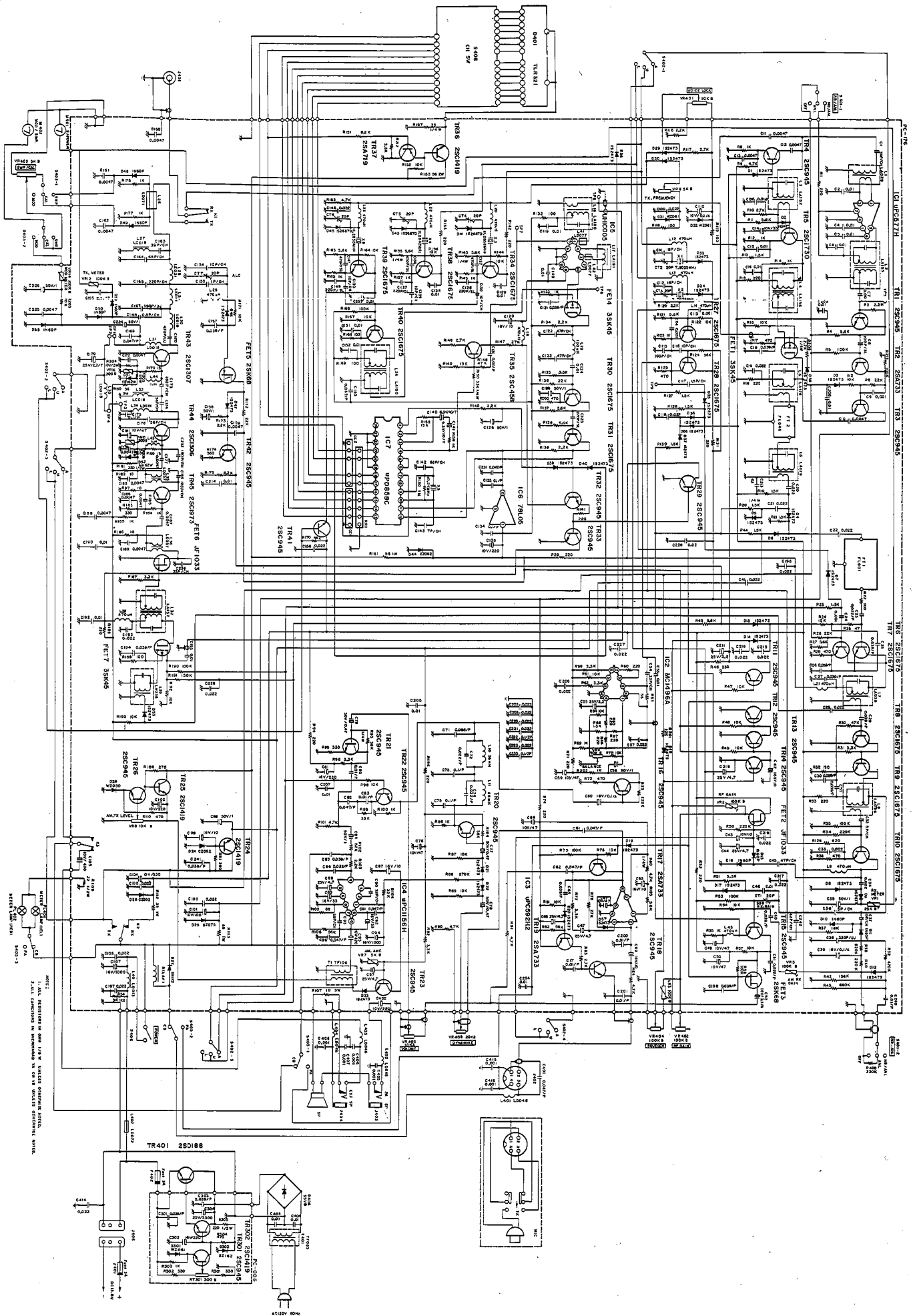


CIRCUIT DIAGRAM FOR COBRA 139XLR



NOTE: ALL DIMENSIONS IN INCHES UNLESS OTHERWISE NOTED.
2. ALL DIMENSIONS IN PARENTHESES ARE MINIMUM DIMENSIONS UNLESS OTHERWISE NOTED.

BILLS OF MATERIAL FOR COBRA 139XL R

Table with columns: CIRCUIT SYMBOL, DESCRIPTION, DYNAMSCAN PART NO.

Table with columns: CIRCUIT SYMBOL, DESCRIPTION, DYNAMSCAN PART NO.

Table with columns: CIRCUIT SYMBOL, DESCRIPTION, DYNAMSCAN PART NO.

Table with columns: CIRCUIT SYMBOL, DESCRIPTION, DYNAMSCAN PART NO.

Table with columns: CIRCUIT SYMBOL, DESCRIPTION, DYNAMSCAN PART NO.

Table with columns: CIRCUIT SYMBOL, DESCRIPTION, DYNAMSCAN PART NO.

Table with columns: CIRCUIT SYMBOL, DESCRIPTION, DYNAMSCAN PART NO.

Table with columns: CIRCUIT SYMBOL, DESCRIPTION, DYNAMSCAN PART NO.