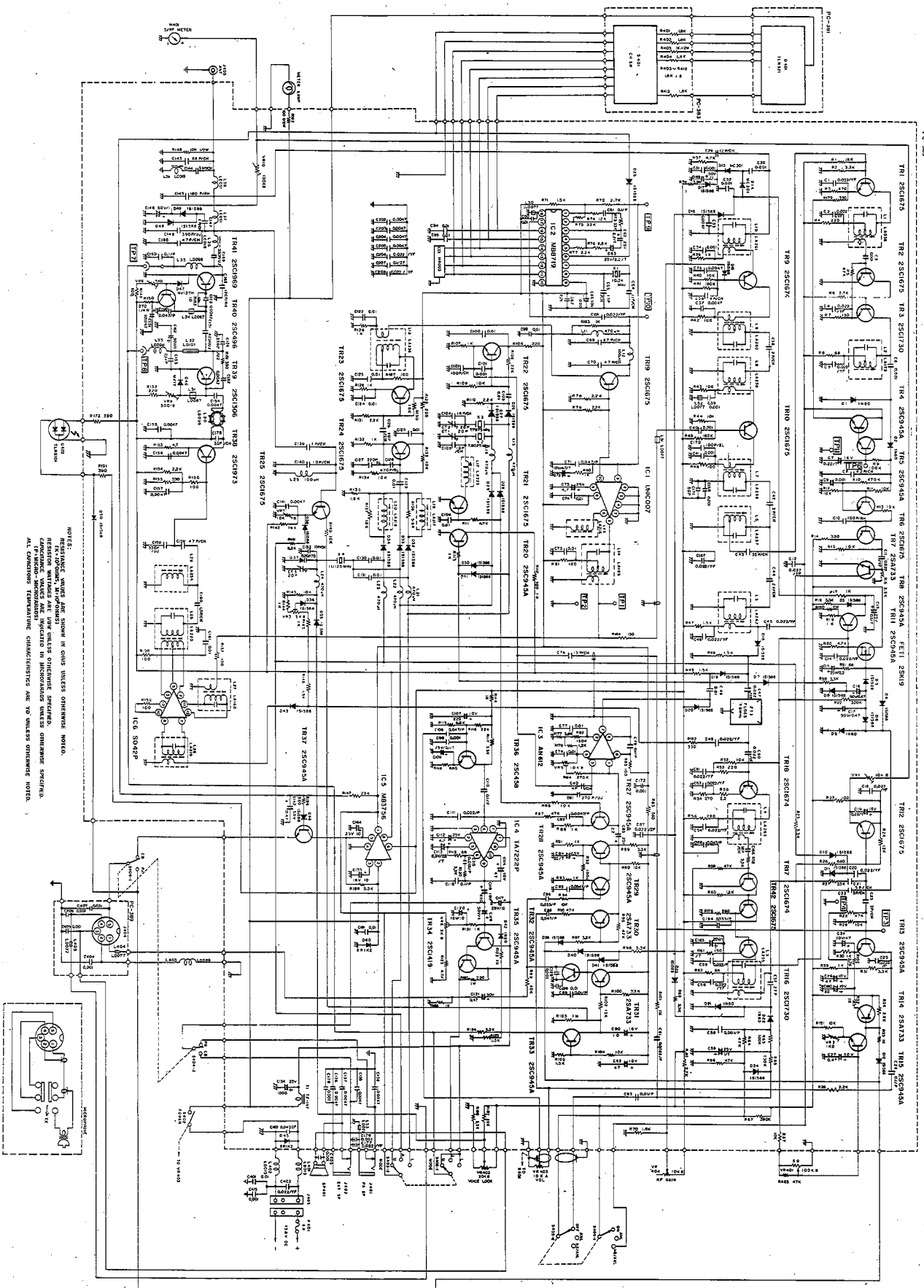


CIRCUIT DIAGRAM FOR COBRA 140GTL

PC-383



NOTES:
RESISTANCE VALUES ARE SHOWN IN OHMS UNLESS OTHERWISE NOTED.
RESISTOR VALUES ARE LOW UNLESS OTHERWISE SPECIFIED.
CAPACITANCE VALUES ARE IN MICROFARADS UNLESS OTHERWISE SPECIFIED.
ALL COMPONENTS TEMPERATURE CHARACTERISTICS ARE TO UNLESS OTHERWISE NOTED.

BILL OF MATERIAL FOR COBRA 140GTL

CIRCUIT SYMBOL	DESCRIPTION	DYNASCAN PART NO.
SEMICONDUCTORS		
IC1	Integrated Circuit, UHIC-007	307-143-9-001
IC2	Integrated Circuit, M88719	307-128-9-002
IC3	Integrated Circuit, AN812	307-143-9-002
IC4	Integrated Circuit, TA7222P	307-143-9-005
IC5	Integrated Circuit, M83756	307-143-9-005
IC6	Integrated Circuit, S042P	307-143-9-004
FET1	Field Effect Transistor, 2SK19-RL	182-037-9-001
TR-7,14,30,31	Transistor, 2SA733P	177-020-9-001
TR-36	Transistor, 2SC458-C	176-048-9-002
TR-4,5,8,11,13,15,20,27,28,29,32,33,35,38	Transistor, 2SC945A-Q	176-062-9-001
TR-28,29,32,33,35,37	Transistor, 2SC1418-C	176-055-9-004
TR-34	Transistor, 2SC1674-L	176-081-9-002
TR-9,18,17	Transistor, 2SC1675-L	176-065-9-001
TR-1,2,6,10,12,19,21,22,23,24,25,26,27,28,29,30,31,32,33,34,35,38,38,39,40,41,43,44,48,49	Diode, 1S1588	151-051-9-001
D-3,4,5,6,7,8,10,11,12	Diode, 1N80	150-001-9-005
D-20	Diode, MCR301	151-023-9-001
D-12,14	Diode, SRT-K2	151-045-9-001
D-402	Diode, LED, TLRG101	158-020-9-001
D-401	Diode, LED, TLR-321	158-020-9-001
D-46	Diode, Varistor, MV-1Y	004-175-9-001
D-47	Diode, Varistor, MV-13YH	153-011-9-001
D-37	Diode, Varicap, 1S2687D	153-008-9-001
INDUCTORS		
L-1	Coil, LA-038	060-018-9-001
L-27	Coil, LA-160	060-025-9-008
L-2	Coil, LA-179	060-025-9-010
L-14	Coil, LA-195	060-030-9-001
L-13	Coil, LA-216	060-030-9-002
L-19	Coil, LA-217	060-030-9-004
L-20	Coil, LA-218	060-030-9-005
L-26	Coil, LA-220	060-030-9-005
L-28	Coil, LA-223	060-030-9-006
L-17	Coil, LA-254	060-030-9-008
L-29	Coil, LA-255	060-030-9-009
L-3	Coil, LA-255	060-030-9-009

CIRCUIT SYMBOL	DESCRIPTION	DYNASCAN PART NO.
INDUCTORS (Continued)		
L-18	Coil, LA-256	060-030-9-010
L-6	Coil, LA-257	060-030-9-011
L-7	Coil, LA-258	060-030-9-012
L-8	Coil, LA-259	060-030-9-013
L-9	Coil, LA-260	060-030-9-014
L-10	Coil, LA-261	060-030-9-015
L-4	Coil, LA-262	060-030-9-016
L-5	Coil, LA-263	060-030-9-017
L-63,404,405,50,51,52	Coil, LA-D077	763-084-9-001
L-36,39	Coil, LD-019	044-033-9-001
L-401,402	Coil, LD-019	044-033-9-001
L-403	Coil, LD-089	044-048-9-002
L-30	Coil, LD-089	044-048-9-002
L-35,33	Coil, LD-089	044-048-9-002
L-33,38	Coil, LD-101	044-053-9-004
L-37,38	Coil, LE-051	044-003-9-005
L-12,28	Micro Inductor, LZ-012	041-088-9-003
L-11,15,16,21,22,23,24	Micro Inductor, LZ-012	041-088-9-004
L-1	Coil, Line Filter, TF-147	046-023-9-001
SEMI-FIXED & VARIABLE RESISTORS		
VR-401	Resistor, Variable, RV-204 100K ohm B, Squared	008-342-9-003
VR-402	Resistor, Variable, RV-203 20K ohm B, Voice-lock	008-342-9-004
VR-403	Resistor, Variable, RV-205 10K ohm A, Volume Control	008-342-9-005
VR-404	Resistor, Variable, RV-316 10K ohm B, RF Gain	008-342-9-006
FIXED RESISTORS		
R-185	Resistor, Metallic Film, 220 ohm 1W ±10%	001-001-6-221
R-150	Resistor, Metallic Film, 100 ohm 1W ±5%	002-001-6-101
R-151	Resistor, Metallic Film, 210 ohm 1/2W ±5%	002-102-5-212
R-403	Resistor, Carbon Film, 1K ohm 1/2W ±5%	001-102-5-103
R-148	Resistor, Carbon Film, 10K ohm 1/2W ±10%	001-102-6-103
R-99	Resistor, Carbon Film, 2.2 ohm 1/8W ±5%	002-108-5-229
R-98	Resistor, Carbon Film, 4.7 ohm 1/8W ±5%	002-108-5-479
R-163	Resistor, Carbon Film, 10 ohm 1/8W ±5%	001-102-6-101
R-162	Resistor, Carbon Film, 100 ohm 1/2W ±10%	002-108-5-680
R-8,21,62,19	Resistor, Carbon Film, 68 ohm 1/8W ±5%	002-108-5-101
R-23,42,43,48,83,122,149,156,157,158,159	Resistor, Carbon Film, 100 ohm 1/8W ±5%	002-108-5-101
R-7,61	Resistor, Carbon Film, 150 ohm 1/8W ±5%	002-108-5-151
R-4,53,56,106,129,152	Resistor, Carbon Film, 220 ohm 1/8W ±5%	002-108-5-221
R-14,151,155,179,182	Resistor, Carbon Film, 330 ohm 1/8W ±5%	002-108-5-331
R-3	Resistor, Carbon Film, 470 ohm 1/8W ±5%	002-108-5-471
R-85,176,194	Resistor, Carbon Film, 560 ohm 1/8W ±5%	002-108-5-561
R-26,118	Resistor, Carbon Film, 680 ohm 1/8W ±5%	002-108-5-681

CIRCUIT SYMBOL	DESCRIPTION	DYNASCAN PART NO.
RESISTORS (Continued)		
R-172,191	Resistor, Carbon Film, 150 ohm 1/8W ±5%	002-108-5-151
R-54	Resistor, Carbon Film, 270 ohm 1/8W ±5%	002-108-5-271
R-178	Resistor, Carbon Film, 1.2K ohm 1/8W ±5%	002-108-5-122
R-135,401,402,404,405,406,407,408,409,410,411,412,413,414,417,418,419,420,421,422,423,424,425,426,427,428,429,430,431,432,433,434,435,436,437,438,439,440,441,442,443,444,445,446,447,448,449,450,451,452,453,454,455,456,457,458,459,460,461,462,463,464,465,466,467,468,469,470,471,472,473,474,475,476,477,478,479,480,481,482,483,484,485,486,487,488,489,490,491,492,493,494,495,496,497,498,499,500,501,502,503,504,505,506,507,508,509,510,511,512,513,514,515,516,517,518,519,520,521,522,523,524,525,526,527,528,529,530,531,532,533,534,535,536,537,538,539,540,541,542,543,544,545,546,547,548,549,550,551,552,553,554,555,556,557,558,559,560,561,562,563,564,565,566,567,568,569,570,571,572,573,574,575,576,577,578,579,580,581,582,583,584,585,586,587,588,589,590,591,592,593,594,595,596,597,598,599,600,601,602,603,604,605,606,607,608,609,610,611,612,613,614,615,616,617,618,619,620,621,622,623,624,625,626,627,628,629,630,631,632,633,634,635,636,637,638,639,640,641,642,643,644,645,646,647,648,649,650,651,652,653,654,655,656,657,658,659,660,661,662,663,664,665,666,667,668,669,670,671,672,673,674,675,676,677,678,679,680,681,682,683,684,685,686,687,688,689,690,691,692,693,694,695,696,697,698,699,700,701,702,703,704,705,706,707,708,709,710,711,712,713,714,715,716,717,718,719,720,721,722,723,724,725,726,727,728,729,730,731,732,733,734,735,736,737,738,739,740,741,742,743,744,745,746,747,748,749,750,751,752,753,754,755,756,757,758,759,760,761,762,763,764,765,766,767,768,769,770,771,772,773,774,775,776,777,778,779,780,781,782,783,784,785,786,787,788,789,790,791,792,793,794,795,796,797,798,799,800,801,802,803,804,805,806,807,808,809,810,811,812,813,814,815,816,817,818,819,820,821,822,823,824,825,826,827,828,829,830,831,832,833,834,835,836,837,838,839,840,841,842,843,844,845,846,847,848,849,850,851,852,853,854,855,856,857,858,859,860,861,862,863,864,865,866,867,868,869,870,871,872,873,874,875,876,877,878,879,880,881,882,883,884,885,886,887,888,889,890,891,892,893,894,895,896,897,898,899,900,901,902,903,904,905,906,907,908,909,910,911,912,913,914,915,916,917,918,919,920,921,922,923,924,925,926,927,928,929,930,931,932,933,934,935,936,937,938,939,940,941,942,943,944,945,946,947,948,949,950,951,952,953,954,955,956,957,958,959,960,961,962,963,964,965,966,967,968,969,970,971,972,973,974,975,976,977,978,979,980,981,982,983,984,985,986,987,988,989,990,991,992,993,994,995,996,997,998,999,1000	Resistor, Carbon Film, 100K ohm 1/8W ±5%	002-108-5-104
R-9,63,65,92	Resistor, Carbon Film, 150K ohm 1/8W ±5%	002-108-5-154
R-82	Resistor, Carbon Film, 180K ohm 1/8W ±5%	002-108-5-184
R-45	Resistor, Carbon Film, 220K ohm 1/8W ±5%	002-108-5-224
R-84	Resistor, Carbon Film, 330K ohm 1/8W ±5%	002-108-5-334
R-22	Resistor, Carbon Film, 470K ohm 1/8W ±5%	002-108-5-474
R-103,101	Resistor, Carbon Film, 1M ohm 1/8W ±5%	002-108-5-105
R-81	Resistor, Carbon Film, 1.5M ohm 1/8W ±5%	002-108-5-151
R-184	Resistor, Carbon Film, 47K ohm 1/8W ±5%	002-108-5-473
R-4,26	Resistor, Carbon Film, 1K ohm 1/8W ±5%	002-108-5-101
R-17,19,33, 13,122	Resistor, Carbon Film, 1.8K ohm 1/8W ±5%	002-108-5-182
R-70	Resistor, Carbon Film, 3.3K ohm 1/8W ±5%	002-108-5-332
R-146,146	Resistor, Carbon Film, 6.8K ohm 1/8W ±5%	002-108-5-682
R-115	Resistor, Carbon Film, 10K ohm 1/8W ±5%	002-108-5-103
R-52,57,96,180	Resistor, Carbon Film, 33K ohm 1/8W ±5%	002-108-5-334
R-27	Resistor, Carbon Film, 390K ohm 1/8W ±5%	002-108-5-394
R-67	Resistor, Carbon Film, 390K ohm 1/8W ±5%	002-108-5-394
CAPACITORS		
C-109,13	Capacitor, Tantalum, 0.1µF 25V ±20%	027-035-9-001
C-7,19	Capacitor, Tantalum, 0.22µF 16V ±20%	027-035-9-002
C-62,63	Capacitor, Tantalum, 2.2µF 25V ±20%	027-031-9-001
CAPACITORS (Continued)		
C-35,37,33,138,141,202,203,204,205,135,137,136,155,156,157,152,154,173	Capacitor, Ceramic Disk, 0.0047µF 50V ±20%	020-204-9-018
C-74,48,75,67,78,94,95,96,97,98,99,100,101,102,103,104,105,106,107,108,109,110,111,112,113,114,115,116,117,118,119,120,121,122,123,124,125,126,127,128,129,130,131,132,133,134,135,136,137,138,139,140,141,142,143,144,145,146,147,148,149,150,151,152,153,154,155,156,157,158,159,160,161,162,163,164,165,166,167,168,169,170,171,172,173,174,175,176,177,178,179,180,181,182,183,184,185,186,187,188,189,190,191,192,193,194,195,196,197,198,199,200,201,202,203,204,205,206,207,208,209,210,211,212,213,214,215,216,217,218,219,220,221,222,223,224,225,226,227,228,229,230,231,232,233,234,235,236,237,238,239,240,241,242,243,244,245,246,247,248,249,250,251,252,253,254,255,256,257,258,259,260,261,262,263,264,265,266,267,268,269,270,271,272,273,274,275,276,277,278,279,280,281,282,283,284,285,286,287,288,289,290,291,292,293,294,295,296,297,298,299,300,301,302,303,304,305,306,307,308,309,310,311,312,313,314,315,316,317,318,319,320,321,322,323,324,325,326,327,328,329,330,331,332,333,334,335,336,337,338,339,340,341,342,343,344,345,346,347,348,349,350,351,352,353,354,355,356,357,358,359,360,361,362,363,364,365,366,367,368,369,370,371,372,373,374,375,376,377,378,379,380,381,382,383,384,385,386,387,388,389,390,391,392,393,394,395,396,397,398,399,400,401,402,403,404,405,406,407,408,409,410,411,412,413,414,415,416,417,418,419,420,421,422,423,424,425,426,427,428,429,430,431,432,433,434,435,436,437,438,439,440,441,442,443,444,445,446,447,448,449,450,451,452,453,454,455,456,457,458,459,460,461,462,463,464,465,466,467,468,469,470,471,472,473,474,475,476,477,478,479,480,481,482,483,484,485,486,487,488,489,490,491,492,493,494,495,496,497,498,499,500,501,502,503,504,505,506,507,508,509,510,511,512,513,514,515,516,517,518,519,520,521,522,523,524,525,526,527,528,529,530,531,532,533,534,535,536,537,538,539,540,541,542,543,544,545,546,547,548,549,550,551,552,553,554,555,556,557,558,559,560,561,562,563,564,565,566,567,568,569,570,571,572,573,574,575,576,577,578,579,580,581,582,583,584,585,586,587,588,589,590,591,592,593,594,595,596,597,598,599,600,601,602,603,604,605,606,607,608,609,610,611,612,613,614,615,616,617,618,619,620,621,622,623,624,625,626,627,628,629,630,631,632,633,634,635,636,637,638,639,640,641,642,643,644,645,646,647,648,649,650,651,652,653,654,655,656,657,658,659,660,661,662,663,664,665,666,667,668,669,670,671,672,673,674,675,676,677,678,679,680,681,682,683,684,685,686,687,688,689,690,691,692,693,694,695,696,697,698,699,700,701,702,703,704,705,706,707,708,709,710,711,712,713,714,715,716,717,718,719,720,721,722,723,724,725,726,727,728,729,730,731,732,733,734,735,736,737,738,739,740,741,742,743,744,745,746,747,748,749,750,751,752,753,754,755,756,757,758,759,760,761,762,763,764,765,766,767,768,769,770,771,772,773,774,775,776,777,778,779,780,781,782,783,784,785,786,787,788,789,790,791,792,793,794,795,796,797,798,799,800,801,802,803,804,805,806,807,808,809,810,811,812,813,814,815,816,817,818,819,820,821,822,823,824,825,826,827,828,829,830,831,832,833,834,835,836,837,838,839,840,841,842,843,844,845,846,847,848,849,850,851,852,853,854,855,856,857,858,859,860,861,862,863,864,865,866,867,868,869,870,871,872,873,874,875,876,877,878,879,880,881,882,883,884,885,886,887,888,889,890,891,892,893,894,895,896,897,898,899,900,901,902,903,904,905,906,907,908,909,910,911,912,913,914,915,916,917,918,919,920,921,922,923,924,925,926,927,928,929,930,931,932,933,934,935,936,937,938,939,940,941,942,943,944,945,946,947,948,949,950,951,952,953,954,955,956,957,958,959,960,961,962,963,964,965,966,967,968,969,970,971,972,973,974,975,976,977,978,979,980,981,982,983,984,985,986,987,988,989,990,991,992,993,994,995,996,997,998,999,1000	Capacitor, Ceramic	