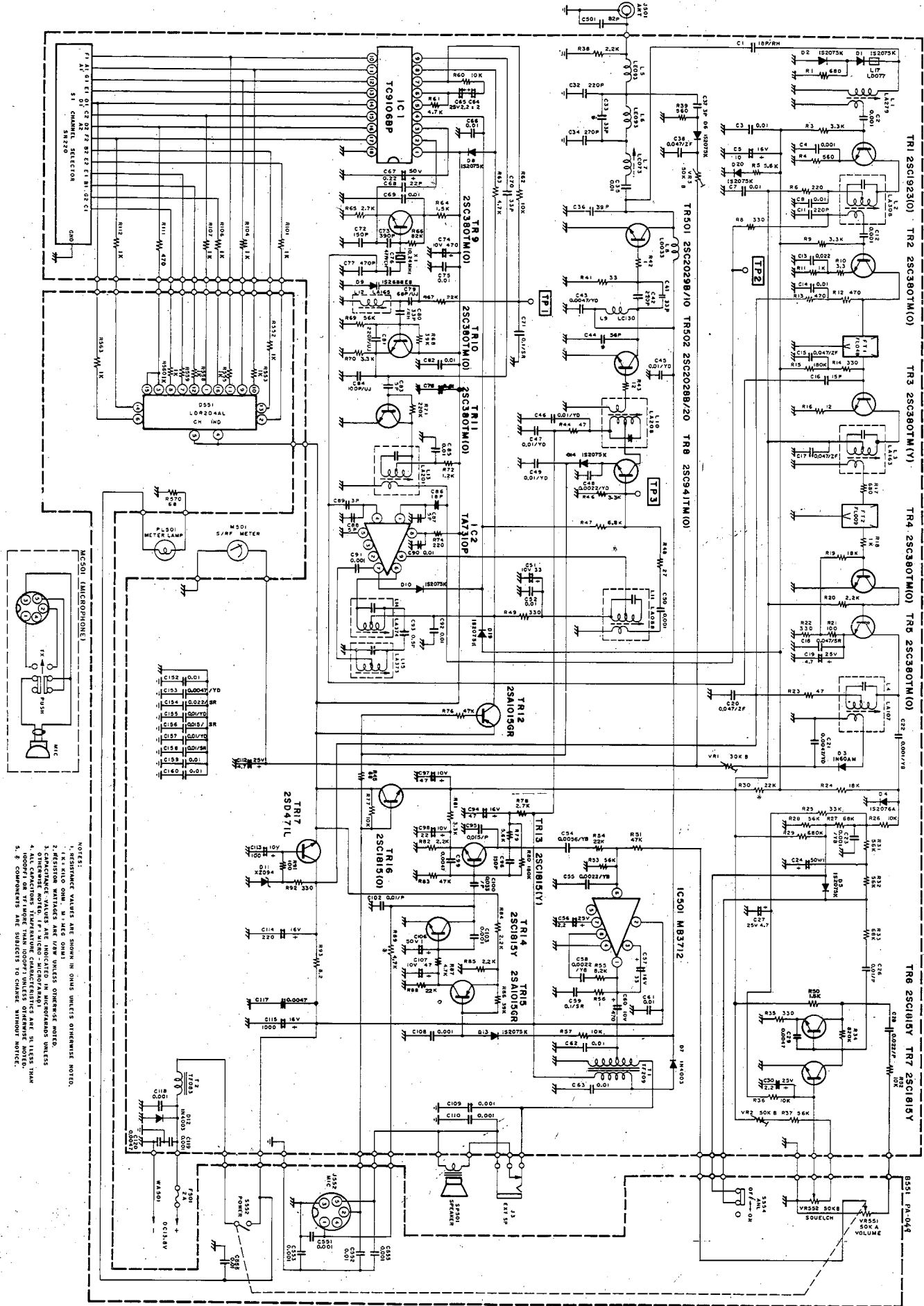


CIRCUIT DIAGRAM FOR COBRA 18LTD

8001 PA-031



- NOTES:
1. RESISTOR VALUES ARE SHOWN IN OHMS UNLESS OTHERWISE NOTED.
 2. RESISTOR VALUES ARE IN OHMS UNLESS OTHERWISE NOTED.
 3. CAPACITOR VALUES ARE INDICATED IN MICROFARADS UNLESS OTHERWISE NOTED.
 4. ALL CAPACITORS ARE POLARIZED UNLESS OTHERWISE NOTED.
 5. COMPONENTS ARE SUBJECT TO CHANGE WITHOUT NOTICE.

TRI 25C1923(O) TR2 25C380T(M)(O) TR3 25C380T(M)(Y) TR4 25C380T(M)(O) TR5 25C380T(M)(O) TR6 25C380T(M)(O) TR7 25C1815(O) TR8 25C341T(M)(O)

8551 PA-042

