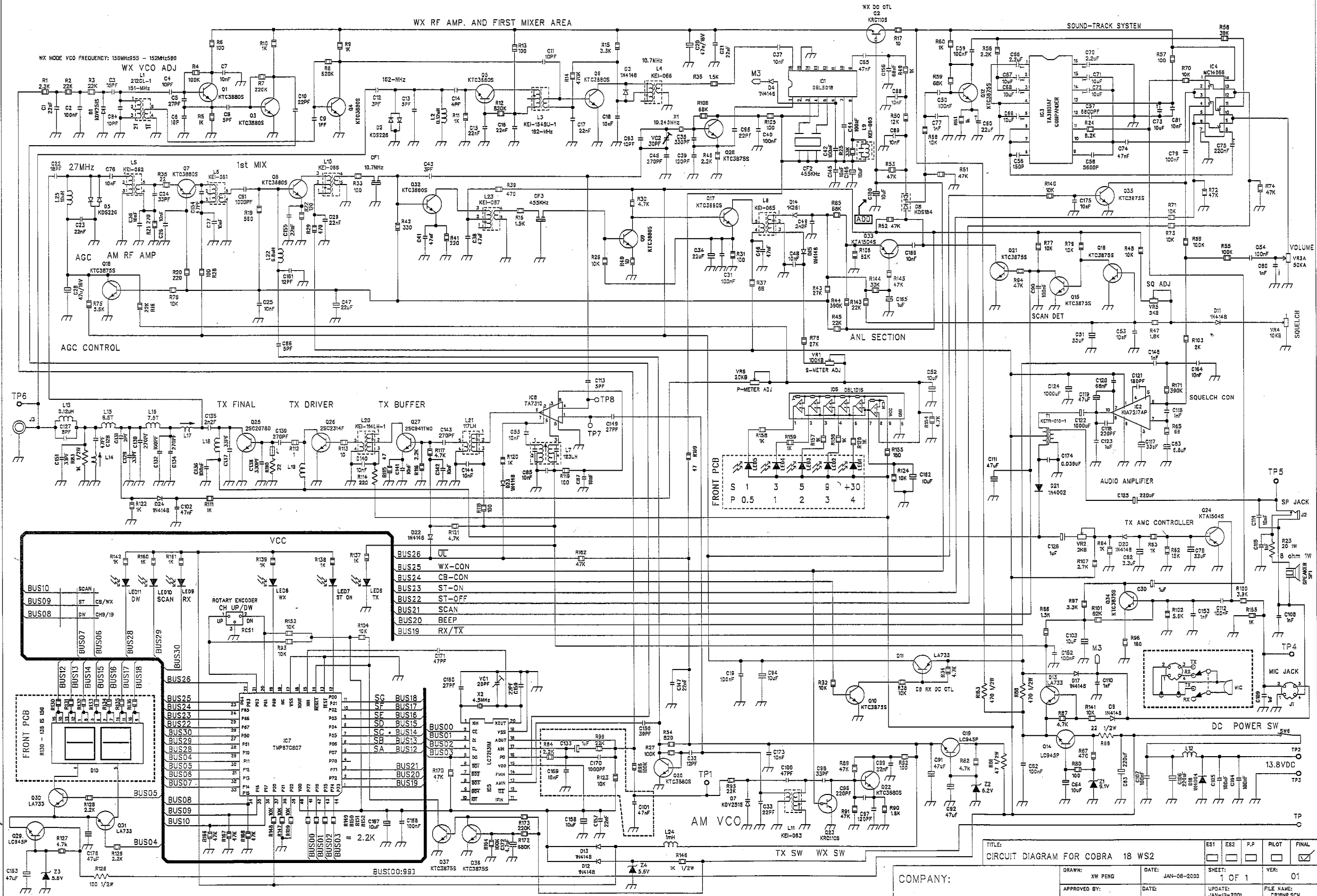


CIRCUIT DIAGRAM FOR COBRA 18WS2



FILE:		CIRCUIT DIAGRAM FOR COBRA 18 WS2		ES1	ES2	P.P	PILOT	FINAL
DRAWN:		XW PENG		DATE:	JAN-08-2000		SHEET:	1 OF 1
APPROVED BY:				DATE:			UPDATE:	JAN-12-2001
COMPANY:				FILE NAME:		CB18WP.SCH		