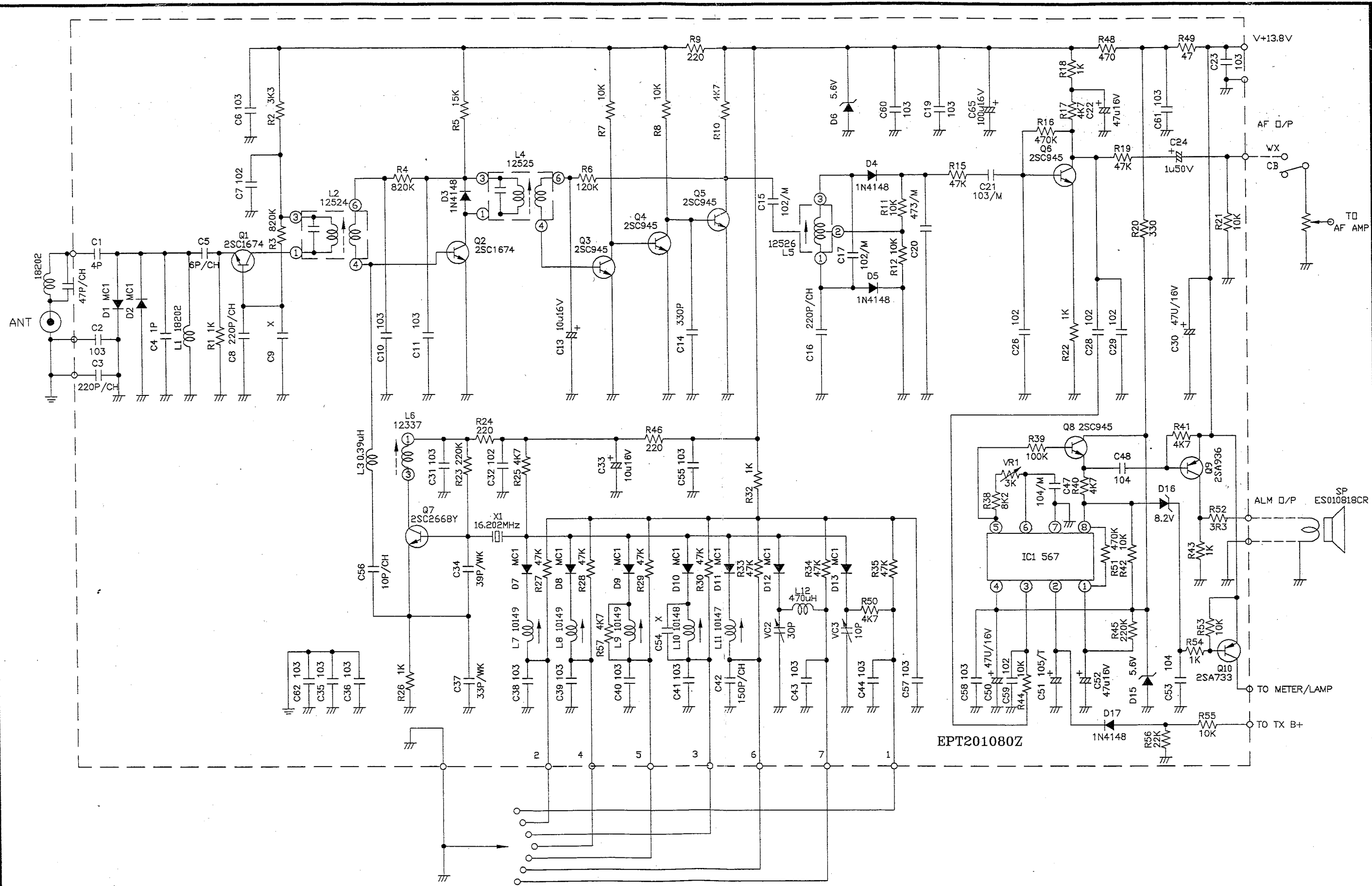

		TITLE: SCHEMATIC DIAGRAM, CPU PCB	
		DATE: 7/1/95	MDL: 201 OGTL WX APPR:
EFF. S/N	PART NO./DRAWING NO.		ISS
FROM :	PAGE	OF	
TO:			

6500 W. CORTLAND ST.  
CHICAGO, ILLINOIS 60635



EPT201080Z

		TITLE: SCHEMATIC DIAGRAM, WX PCB	
		DATE: 7/1/95	MDL: 2010GTL WX APPR:
EFF. S/N		PART NO./DRAWING NO.	
FROM :		PAGE	OF
TO:			ISS

6500 W. CORTLAND ST.  
CHICAGO, ILLINOIS 60635