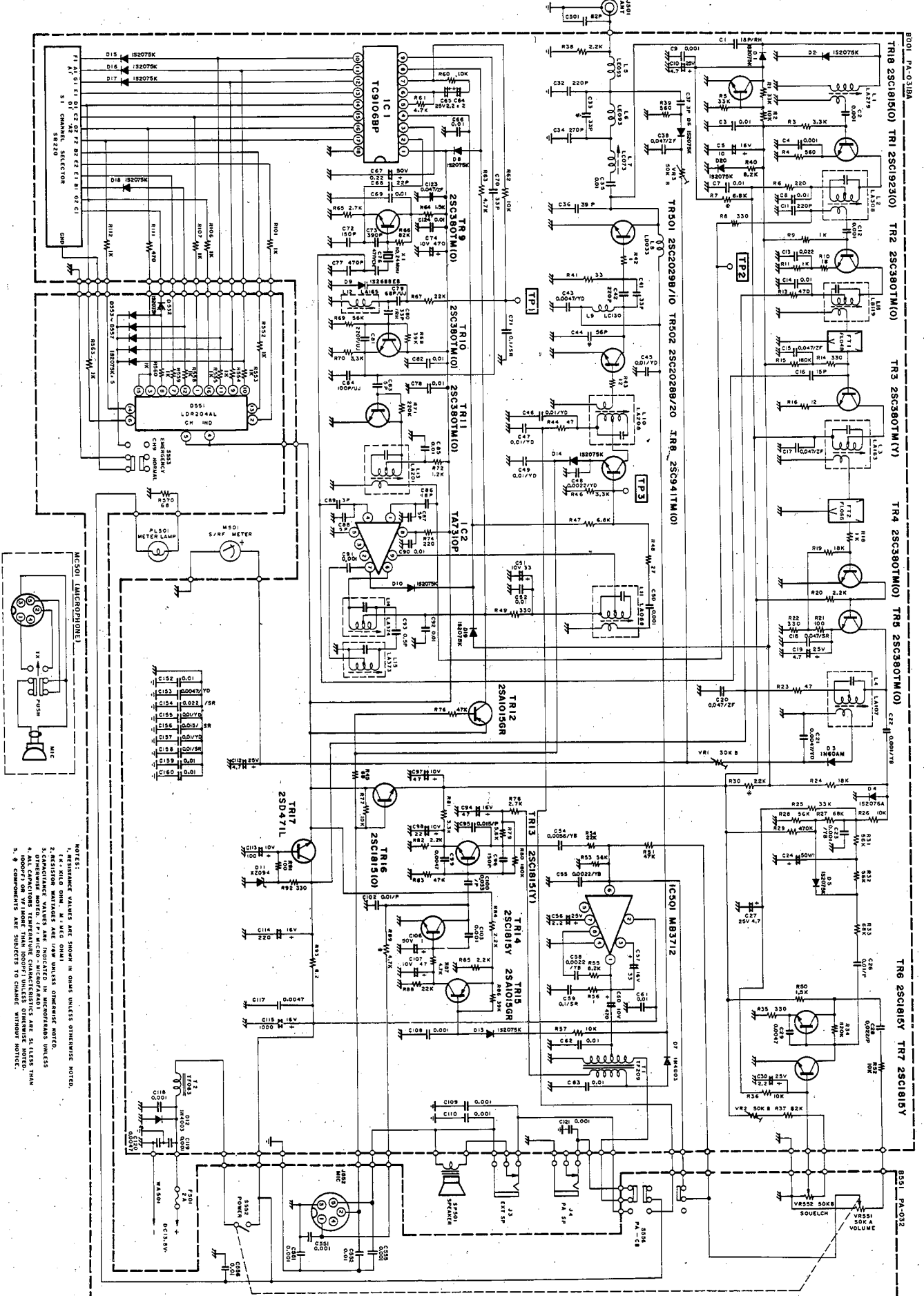


# CIRCUIT DIAGRAM FOR COBRA 20LTD.



8201 PA-318A

TR1 5A15 (5) TR1 25C1923 (1) TR2 25C380T (1) TR3 25C380T (1) TR4 25C380T (1) TR5 25C380T (1) TR6 25C380T (1) TR7 25C1815 (1) TR8 25C1815 (1) TR9 25C380T (1) TR10 25C380T (1) TR11 25C380T (1) TR12 25A1015GR (1) TR13 25C1815 (1) TR14 25C1815 (1) TR15 25A1015GR (1) TR16 25C1815 (1) TR17 25D471L (1) TR18 25C1815 (1) TR19 25C1815 (1) TR20 25C1815 (1) TR21 25C1815 (1) TR22 25C1815 (1) TR23 25C1815 (1) TR24 25C1815 (1) TR25 25C1815 (1) TR26 25C1815 (1) TR27 25C1815 (1) TR28 25C1815 (1) TR29 25C1815 (1) TR30 25C1815 (1) TR31 25C1815 (1) TR32 25C1815 (1) TR33 25C1815 (1) TR34 25C1815 (1) TR35 25C1815 (1) TR36 25C1815 (1) TR37 25C1815 (1) TR38 25C1815 (1) TR39 25C1815 (1) TR40 25C1815 (1) TR41 25C1815 (1) TR42 25C1815 (1) TR43 25C1815 (1) TR44 25C1815 (1) TR45 25C1815 (1) TR46 25C1815 (1) TR47 25C1815 (1) TR48 25C1815 (1) TR49 25C1815 (1) TR50 25C1815 (1) TR51 25C1815 (1) TR52 25C1815 (1) TR53 25C1815 (1) TR54 25C1815 (1) TR55 25C1815 (1) TR56 25C1815 (1) TR57 25C1815 (1) TR58 25C1815 (1) TR59 25C1815 (1) TR60 25C1815 (1) TR61 25C1815 (1) TR62 25C1815 (1) TR63 25C1815 (1) TR64 25C1815 (1) TR65 25C1815 (1) TR66 25C1815 (1) TR67 25C1815 (1) TR68 25C1815 (1) TR69 25C1815 (1) TR70 25C1815 (1) TR71 25C1815 (1) TR72 25C1815 (1) TR73 25C1815 (1) TR74 25C1815 (1) TR75 25C1815 (1) TR76 25C1815 (1) TR77 25C1815 (1) TR78 25C1815 (1) TR79 25C1815 (1) TR80 25C1815 (1) TR81 25C1815 (1) TR82 25C1815 (1) TR83 25C1815 (1) TR84 25C1815 (1) TR85 25C1815 (1) TR86 25C1815 (1) TR87 25C1815 (1) TR88 25C1815 (1) TR89 25C1815 (1) TR90 25C1815 (1) TR91 25C1815 (1) TR92 25C1815 (1) TR93 25C1815 (1) TR94 25C1815 (1) TR95 25C1815 (1) TR96 25C1815 (1) TR97 25C1815 (1) TR98 25C1815 (1) TR99 25C1815 (1) TR100 25C1815 (1)

IC501 MB3712

8251 PA-032

- NOTES: RESISTOR VALUES ARE SHOWN IN OHMS UNLESS OTHERWISE NOTED.  
 1. K = KILLO OHM, M = MEG OHM.  
 2. RESISTOR TOLERANCES ARE 5% UNLESS OTHERWISE NOTED.  
 3. CAPACITANCE VALUES ARE INDICATED IN MICROFARADS UNLESS OTHERWISE NOTED.  
 4. ALL CAPACITORS TEMPERATURE CHARACTERISTICS ARE 5% LESS THAN 100PPM OR W/ MORE THAN 100PPM UNLESS OTHERWISE NOTED.  
 5. 9 COMPONENTS ARE IDENTIFIED BY STARS (\*) WITHOUT NOTICE.

