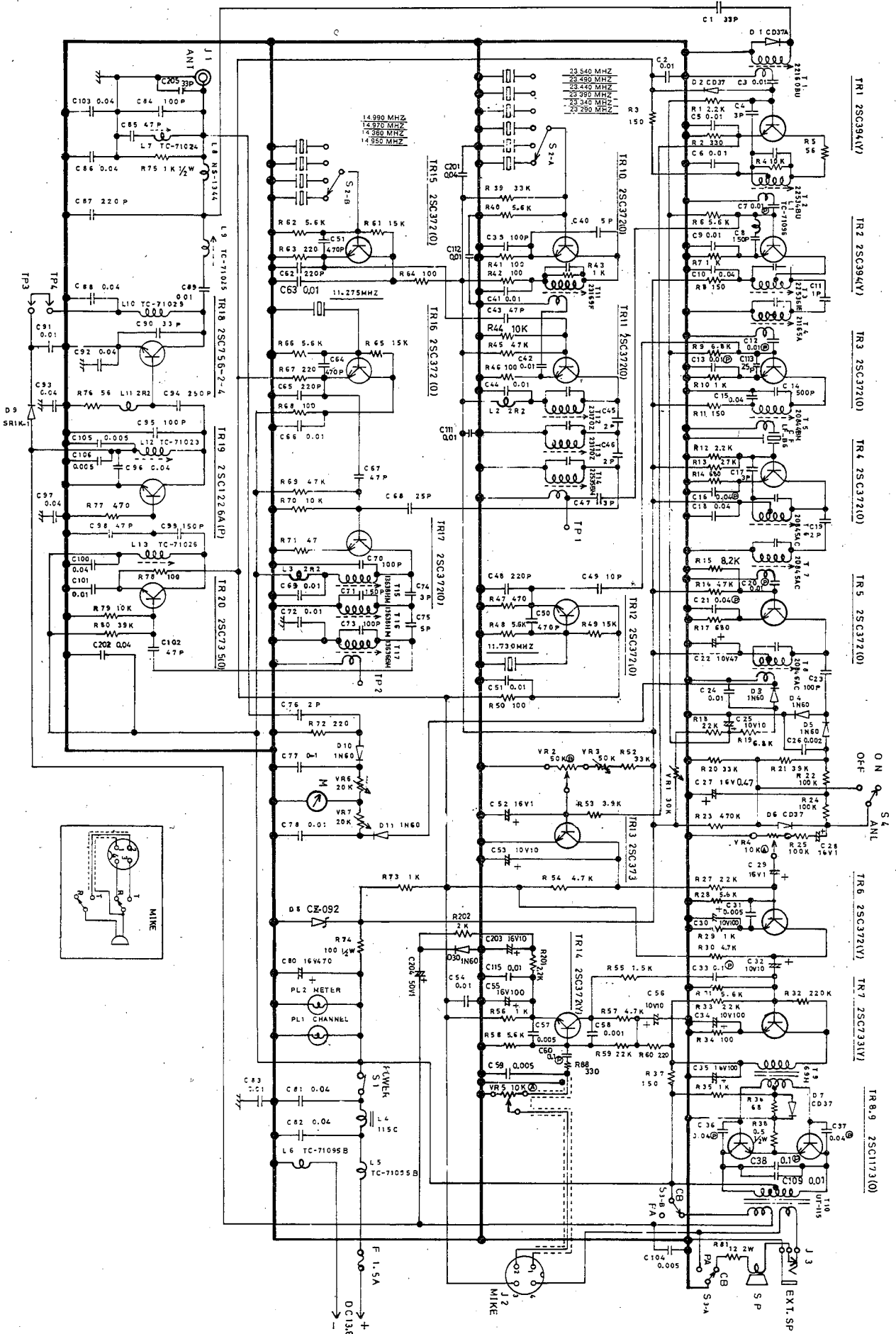


SCHEMATIC DIAGRAM FOR COBRA 21



S-2  
S-3.4

**SWITCHES**

DESCRIPTION	DYNASCAN PART NO.
Rotary Switch, Channel Selector	083-143-9-001
Slide Switch, P.A./A.N.L. SL-2-2-2-13	100-6-031-9-001

**MISCELLANEOUS**

Ceramic Filter, LF-B6	140-000-6-001
Crystal Socket, S-D0105	749-6-6-6-001
Antenna Connector, M-R inch size	772-025-9-001
Microphone Jack, SM-144 (4-P)	773-045-6-6-001
Microphone Plug, SM-144 (4-P)	775-022-6-6-6-001
Speaker, 10P035 8 ohms 2W	580-000-6-6-6-001
Meter, A-39	320-045-6-6-001
Microphone, 22-115-45 w/hanger	562-006-9-001
Fuse Holder, RF-104	742-010-18-104
Fuse, 1.5 amp	100-6-6-200-001
Printed Circuit Board No. 138101	302-021-136-9-001
Pilot Lamp, 14V 30mA Meter/Channel	400-000-27-6-6-001
Strain Relief Bushing, SR-3P-4	380-000-176-6-6-001
Lug Terminal, T-41	757-010-110-6-6-001
Lug Terminal, N-60	757-010-111-6-6-001
Jack, SJ-296 3.5p	773-045-6-6-001
Metal Cabinet (top)	253-027-7-6-001
Metal Cabinet (bottom)	252-008-9-001
Mounting Bracket	250-043-9-001
Front Panel (ABS)	255-104-9-001
Heat-sink	747-018-9-001
Heat-sink	747-010-18-9-002
Rubber Washer for Bracket	347-050-0-6-001
Screw for Bracket	634-044-6-6-001
Front Plate	260-043-9-9-001
Channel Disk	380-000-176-6-002
Channel Knob	751-095-6-6-001
Volume & Squelch Knob	751-095-6-6-002
Mike gain Control Knob	751-095-6-6-003
FCC Plate	600-017-9-001
Mike Plate	600-018-9-001
Speaker Nut	769-063-6-001
Instruction Booklet	480-134-4-001
Display Box	570-219-6-6-001
Styrofoam Box	503-067-9-001
FCC Application Form	492-041-1-001
Schematic & Parts List	100-6-040-6-6-001

NOTE: Minimum charge \$2.00 per invoice. Orders will be shipped C.O.D. unless previous open account arrangements have been made or remittance accompanies order. Advance remittance must cover postage or express charge.

Specify serial number when ordering replacement parts.

DYNASCAN PART NO.

DESCRIPTION

SCHMATIC SYMBOL

**RESISTORS, CONTROLS (Continued)**

002-104-5-221	Solid Fixed, 100 ohms 1/4W	R-74
001-102-6-101	Solid Fixed, 1 k ohm 1/2W	R-75
001-002-6-120	Metal Fixed, 12 ohms 2W	R-81
020-109-9-001	Ceramic, 33pF 50V	C-1.90
020-109-9-002	Ceramic, 0.01uF 50V	C-1.91
020-109-9-003	Ceramic, 3pF 50V	C-1.92
020-109-9-004	Ceramic, 150pF 50V	C-1.93
020-109-9-005	Ceramic, 0.04uF 50V	C-1.94
020-109-9-006	Ceramic, 100pF 50V	C-1.95
020-109-9-007	Ceramic, 2pF 50V	C-1.96
020-109-9-008	Ceramic, 100pF 50V	C-1.97
020-109-9-009	Ceramic, 0.002uF 50V	C-1.98
020-109-9-010	Ceramic, 5pF 50V	C-1.99
020-109-9-011	Ceramic, 47pF 50V	C-2.00
020-109-9-012	Ceramic, 10pF 50V	C-2.01
020-109-9-013	Ceramic, 220pF 50V	C-2.02
020-109-9-014	Ceramic, 470pF 50V	C-2.03
020-109-9-015	Ceramic, 0.001uF 50V	C-2.04
020-109-9-016	Ceramic, 25pF 50V	C-2.05
020-109-9-017	Ceramic, 0.1uF 50V	C-2.06
020-109-9-018	Ceramic, 0.47uF 50V	C-2.07
020-109-9-019	Ceramic, 10uF 50V	C-2.08
020-109-9-020	Ceramic, 250pF 16WV	C-2.09
020-109-9-021	Mylar, 0.2uF 50V	C-2.10
020-109-9-022	Electrolytic, 470uF 16WV	C-2.11
020-109-9-023	Electrolytic, 10uF 50V	C-2.12
020-109-9-024	Electrolytic, 100uF 16WV	C-2.13
020-109-9-025	Electrolytic, 0.005uF 50V	C-2.14
020-109-9-026	Electrolytic, 100uF 10WV	C-2.15
020-109-9-027	Electrolytic, 1uF 16WV	C-2.16
020-109-9-028	Ceramic, 0.002uF 50V	C-2.17
020-109-9-029	Electrolytic, 10uF 10WV	C-2.18
020-109-9-030	Electrolytic, 10uF 10WV	C-2.19
020-109-9-031	Electrolytic, 10uF 10WV	C-2.20
020-109-9-032	Electrolytic, 10uF 10WV	C-2.21
020-109-9-033	Electrolytic, 10uF 10WV	C-2.22
020-109-9-034	Electrolytic, 10uF 10WV	C-2.23
020-109-9-035	Electrolytic, 10uF 10WV	C-2.24
020-109-9-036	Electrolytic, 10uF 10WV	C-2.25
020-109-9-037	Electrolytic, 10uF 10WV	C-2.26
020-109-9-038	Electrolytic, 10uF 10WV	C-2.27
020-109-9-039	Electrolytic, 10uF 10WV	C-2.28
020-109-9-040	Electrolytic, 10uF 10WV	C-2.29
020-109-9-041	Electrolytic, 10uF 10WV	C-2.30
020-109-9-042	Electrolytic, 10uF 10WV	C-2.31
020-109-9-043	Electrolytic, 10uF 10WV	C-2.32
020-109-9-044	Electrolytic, 10uF 10WV	C-2.33
020-109-9-045	Electrolytic, 10uF 10WV	C-2.34
020-109-9-046	Electrolytic, 10uF 10WV	C-2.35
020-109-9-047	Electrolytic, 10uF 10WV	C-2.36
020-109-9-048	Electrolytic, 10uF 10WV	C-2.37
020-109-9-049	Electrolytic, 10uF 10WV	C-2.38
020-109-9-050	Electrolytic, 10uF 10WV	C-2.39
020-109-9-051	Electrolytic, 10uF 10WV	C-2.40
020-109-9-052	Electrolytic, 10uF 10WV	C-2.41
020-109-9-053	Electrolytic, 10uF 10WV	C-2.42
020-109-9-054	Electrolytic, 10uF 10WV	C-2.43
020-109-9-055	Electrolytic, 10uF 10WV	C-2.44
020-109-9-056	Electrolytic, 10uF 10WV	C-2.45
020-109-9-057	Electrolytic, 10uF 10WV	C-2.46
020-109-9-058	Electrolytic, 10uF 10WV	C-2.47
020-109-9-059	Electrolytic, 10uF 10WV	C-2.48
020-109-9-060	Electrolytic, 10uF 10WV	C-2.49
020-109-9-061	Electrolytic, 10uF 10WV	C-2.50
020-109-9-062	Electrolytic, 10uF 10WV	C-2.51
020-109-9-063	Electrolytic, 10uF 10WV	C-2.52
020-109-9-064	Electrolytic, 10uF 10WV	C-2.53
020-109-9-065	Electrolytic, 10uF 10WV	C-2.54
020-109-9-066	Electrolytic, 10uF 10WV	C-2.55
020-109-9-067	Electrolytic, 10uF 10WV	C-2.56
020-109-9-068	Electrolytic, 10uF 10WV	C-2.57
020-109-9-069	Electrolytic, 10uF 10WV	C-2.58
020-109-9-070	Electrolytic, 10uF 10WV	C-2.59
020-109-9-071	Electrolytic, 10uF 10WV	C-2.60
020-109-9-072	Electrolytic, 10uF 10WV	C-2.61
020-109-9-073	Electrolytic, 10uF 10WV	C-2.62
020-109-9-074	Electrolytic, 10uF 10WV	C-2.63
020-109-9-075	Electrolytic, 10uF 10WV	C-2.64
020-109-9-076	Electrolytic, 10uF 10WV	C-2.65
020-109-9-077	Electrolytic, 10uF 10WV	C-2.66
020-109-9-078	Electrolytic, 10uF 10WV	C-2.67
020-109-9-079	Electrolytic, 10uF 10WV	C-2.68
020-109-9-080	Electrolytic, 10uF 10WV	C-2.69
020-109-9-081	Electrolytic, 10uF 10WV	C-2.70
020-109-9-082	Electrolytic, 10uF 10WV	C-2.71
020-109-9-083	Electrolytic, 10uF 10WV	C-2.72
020-109-9-084	Electrolytic, 10uF 10WV	C-2.73
020-109-9-085	Electrolytic, 10uF 10WV	C-2.74
020-109-9-086	Electrolytic, 10uF 10WV	C-2.75
020-109-9-087	Electrolytic, 10uF 10WV	C-2.76
020-109-9-088	Electrolytic, 10uF 10WV	C-2.77
020-109-9-089	Electrolytic, 10uF 10WV	C-2.78
020-109-9-090	Electrolytic, 10uF 10WV	C-2.79
020-109-9-091	Electrolytic, 10uF 10WV	C-2.80
020-109-9-092	Electrolytic, 10uF 10WV	C-2.81
020-109-9-093	Electrolytic, 10uF 10WV	C-2.82
020-109-9-094	Electrolytic, 10uF 10WV	C-2.83
020-109-9-095	Electrolytic, 10uF 10WV	C-2.84
020-109-9-096	Electrolytic, 10uF 10WV	C-2.85
020-109-9-097	Electrolytic, 10uF 10WV	C-2.86
020-109-9-098	Electrolytic, 10uF 10WV	C-2.87
020-109-9-099	Electrolytic, 10uF 10WV	C-2.88
020-109-9-100	Electrolytic, 10uF 10WV	C-2.89
020-109-9-101	Electrolytic, 10uF 10WV	C-2.90
020-109-9-102	Electrolytic, 10uF 10WV	C-2.91
020-109-9-103	Electrolytic, 10uF 10WV	C-2.92
020-109-9-104	Electrolytic, 10uF 10WV	C-2.93
020-109-9-105	Electrolytic, 10uF 10WV	C-2.94
020-109-9-106	Electrolytic, 10uF 10WV	C-2.95
020-109-9-107	Electrolytic, 10uF 10WV	C-2.96
020-109-9-108	Electrolytic, 10uF 10WV	C-2.97
020-109-9-109	Electrolytic, 10uF 10WV	C-2.98
020-109-9-110	Electrolytic, 10uF 10WV	C-2.99
020-109-9-111	Electrolytic, 10uF 10WV	C-3.00
020-109-9-112	Electrolytic, 10uF 10WV	C-3.01
020-109-9-113	Electrolytic, 10uF 10WV	C-3.02
020-109-9-114	Electrolytic, 10uF 10WV	C-3.03
020-109-9-115	Electrolytic, 10uF 10WV	C-3.04
020-109-9-116	Electrolytic, 10uF 10WV	C-3.05
020-109-9-117	Electrolytic, 10uF 10WV	C-3.06
020-109-9-118	Electrolytic, 10uF 10WV	C-3.07
020-109-9-119	Electrolytic, 10uF 10WV	C-3.08
020-109-9-120	Electrolytic, 10uF 10WV	C-3.09
020-109-9-121	Electrolytic, 10uF 10WV	C-3.10
020-109-9-122	Electrolytic, 10uF 10WV	C-3.11
020-109-9-123	Electrolytic, 10uF 10WV	C-3.12
020-109-9-124	Electrolytic, 10uF 10WV	C-3.13
020-109-9-125	Electrolytic, 10uF 10WV	C-3.14
020-109-9-126	Electrolytic, 10uF 10WV	C-3.15
020-109-9-127	Electrolytic, 10uF 10WV	C-3.16
020-109-9-128	Electrolytic, 10uF 10WV	C-3.17
020-109-9-129	Electrolytic, 10uF 10WV	C-3.18
020-109-9-130	Electrolytic, 10uF 10WV	C-3.19
020-109-9-131	Electrolytic, 10uF 10WV	C-3.20
020-109-9-132	Electrolytic, 10uF 10WV	C-3.21
020-109-9-133	Electrolytic, 10uF 10WV	C-3.22
020-109-9-134	Electrolytic, 10uF 10WV	C-3.23
020-109-9-135	Electrolytic, 10uF 10WV	C-3.24
020-109-9-136	Electrolytic, 10uF 10WV	C-3.25
020-109-9-137	Electrolytic, 10uF 10WV	C-3.26
020-109-9-138	Electrolytic, 10uF 10WV	C-3.27
020-109-9-139	Electrolytic, 10uF 10WV	C-3.28
020-109-9-140	Electrolytic, 10uF 10WV	C-3.29
020-109-9-141	Electrolytic, 10uF 10WV	C-3.30
020-109-9-142	Electrolytic, 10uF 10WV	C-3.31
020-109-9-143	Electrolytic, 10uF 10WV	C-3.32
020-109-9-144	Electrolytic, 10uF 10WV	C-3.33
020-109-9-145	Electrolytic, 10uF 10WV	C-3.34
020-109-9-146	Electrolytic, 10uF 10WV	C-3.35
020-109-9-147	Electrolytic, 10uF 10WV	C-3.36
020-109-9-148	Electrolytic, 10uF 10WV	C-3.37
020-109-9-149	Electrolytic, 10uF 10WV	C-3.38
020-109-9-150	Electrolytic, 10uF 10WV	C-3.39
020-109-9-151	Electrolytic, 10uF 10WV	C-3.40
020-109-9-152	Electrolytic, 10uF 10WV	C-3.41
020-109-9-153	Electrolytic, 10uF 10WV	C-3.42
020-109-9-154	Electrolytic, 10uF 10WV	C-3.43
020-109-9-155	Electrolytic, 10uF 10WV	C-3.44
020-109-9-156	Electrolytic, 10uF 10WV	C-3.45
020-109-9-157	Electrolytic, 10uF 10WV	C-3.46
020-109-9-158	Electrolytic, 10uF 10WV	C-3.47
020-109-9-159	Electrolytic, 10uF 10WV	C-3.48
020-109-9-160	Electrolytic, 10uF 10WV	C-3.49
020-109-9-161	Electrolytic, 10uF 10WV	C-3.50
020-109-9-162	Electrolytic, 10uF 10WV	C-3.51
020-109-9-163	Electrolytic, 10uF 10WV	C-3.52
020-109-9-164	Electrolytic, 10uF 10WV	C-3.53
020-109-9-165	Electrolytic, 10uF 10WV	C-3.54
020-109-9-166	Electrolytic, 10uF 10WV	C-3.55
020-109-9-167	Electrolytic, 10uF 10WV	C-3.56
020-109-9-168	Electrolytic, 10uF 10WV	C-3.57
020-109-9-169	Electrolytic, 10uF 10WV	C-3.58
020-109-9-170	Electrolytic, 10uF 10WV	C-3.59
020-109-9-171	Electrolytic, 10uF 10WV	C-3.60
020-109-9-172	Electrolytic, 10uF 10WV	C-3.61
020-109-9-173	Electrolytic, 10uF 10WV	C-3.62
020-109-9-174	Electrolytic, 10uF 10WV	C-3.63
020-109-9-175	Electrolytic, 10uF 10WV	C-3.64
020-109-9-176	Electrolytic, 10uF 10WV	C-3.65
020-109-9-177	Electrolytic, 10uF 10WV	C-3.66
020-109-9-178	Electrolytic, 10uF 10WV	C-3.67
020-109-9-179	Electrolytic, 10uF 10WV	C-3.68
020-109-9-180	Electrolytic, 10uF 10WV	C-3.69
020-109-9-181	Electrolytic, 10uF 10WV	C-3.70
020-109-9-182	Electrolytic, 10uF 10WV	C-3.71
020-109-9-183	Electrolytic, 10uF 10WV	C-3.72
020-109-9-184	Electrolytic, 10uF 10WV	C-3.73
020-109-9-185	Electrolytic, 10uF 10WV	C-3.74
020-109-9-186	Electrolytic, 10uF 10WV	C-3.75
020-109-9-187	Electrolytic, 10uF 10WV	C-3.76
020-109-9-188	Electrolytic, 10uF 10WV	C-3.77
020-109-9-189	Electrolytic, 10uF 10WV	C-3.78
020-109-9-190	Electrolytic, 10uF 10WV	C-3.79
020-109-9-191	Electrolytic, 10uF 10WV	C-3.80
020-109-9-192	Electrolytic, 10uF 10WV	C-3.81
020-109-9-193	Electrolytic, 10uF 10WV	C-3.82
020-109-9-1		