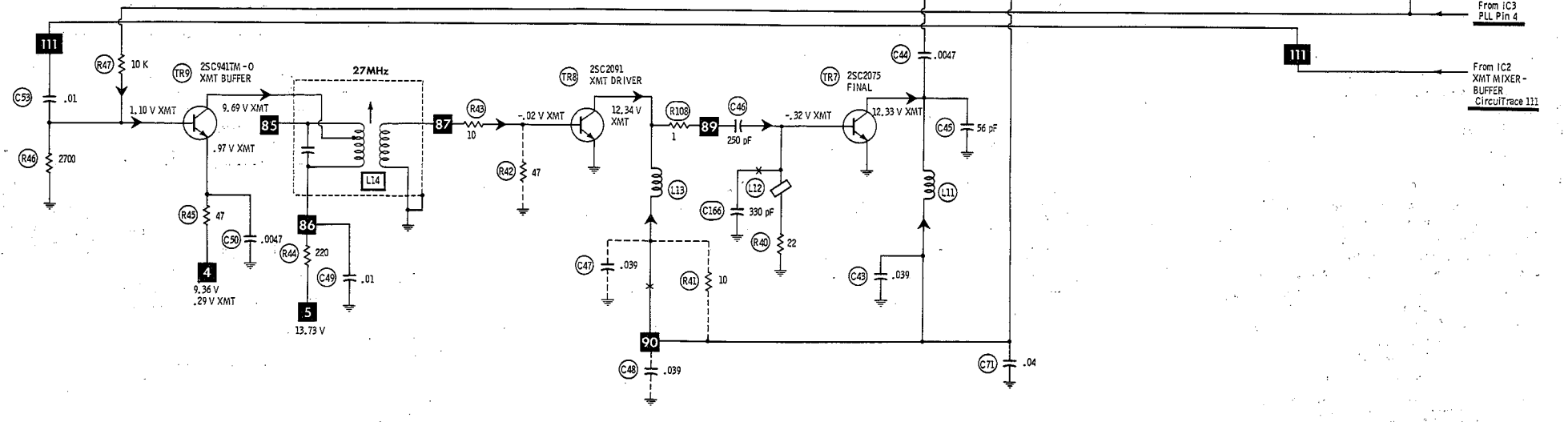
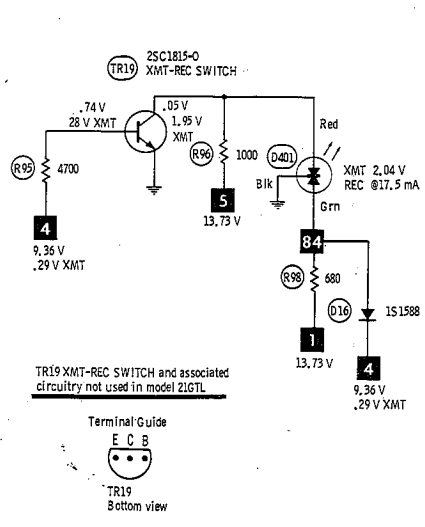
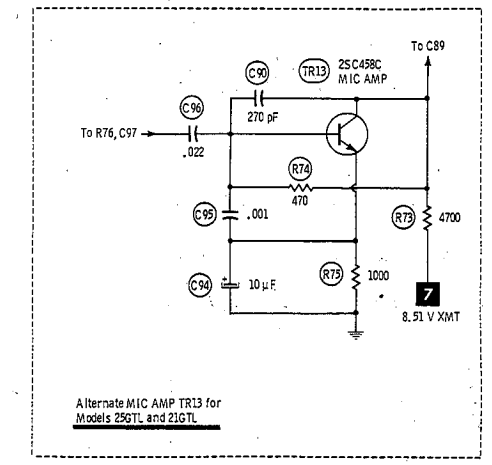
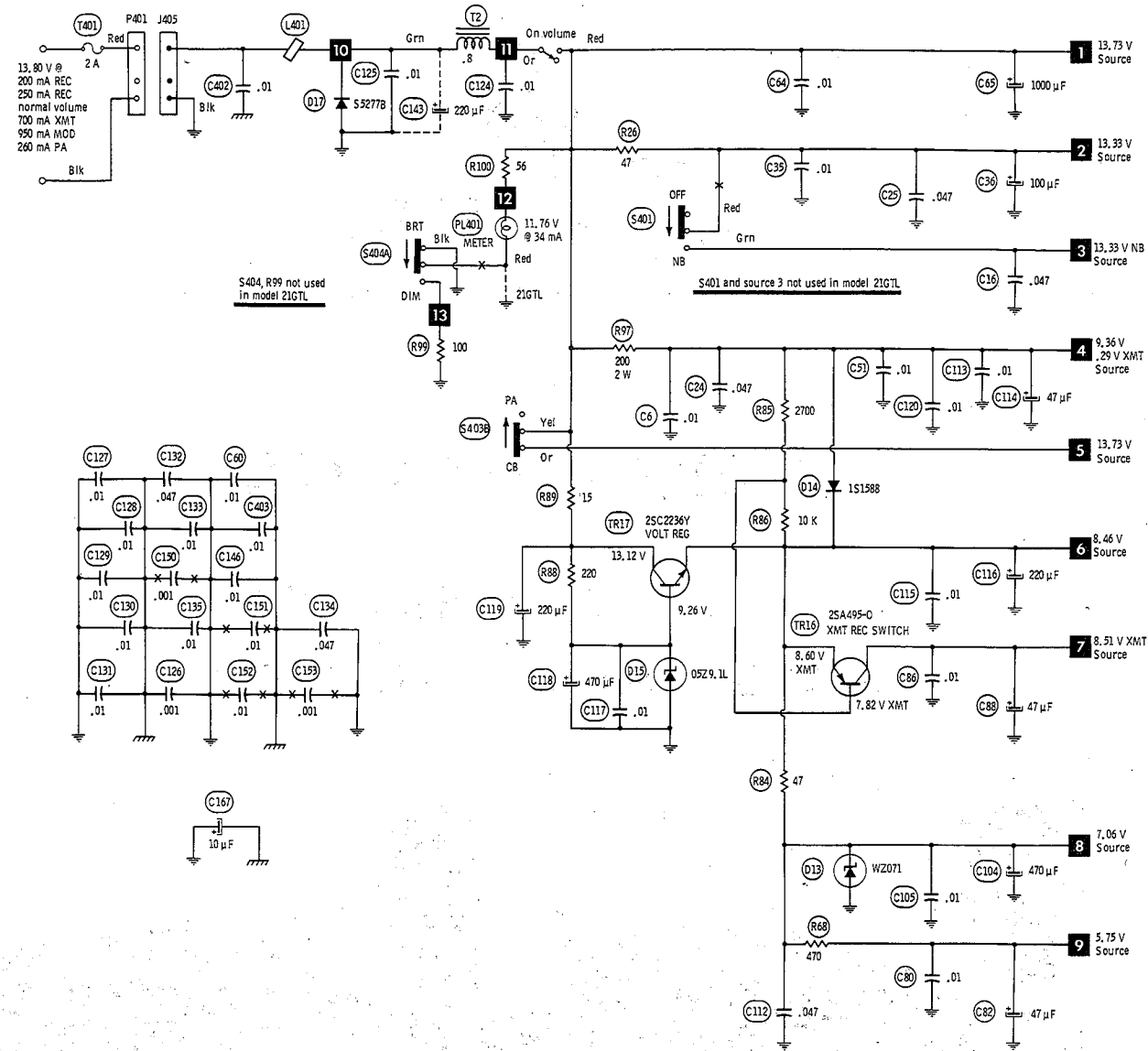
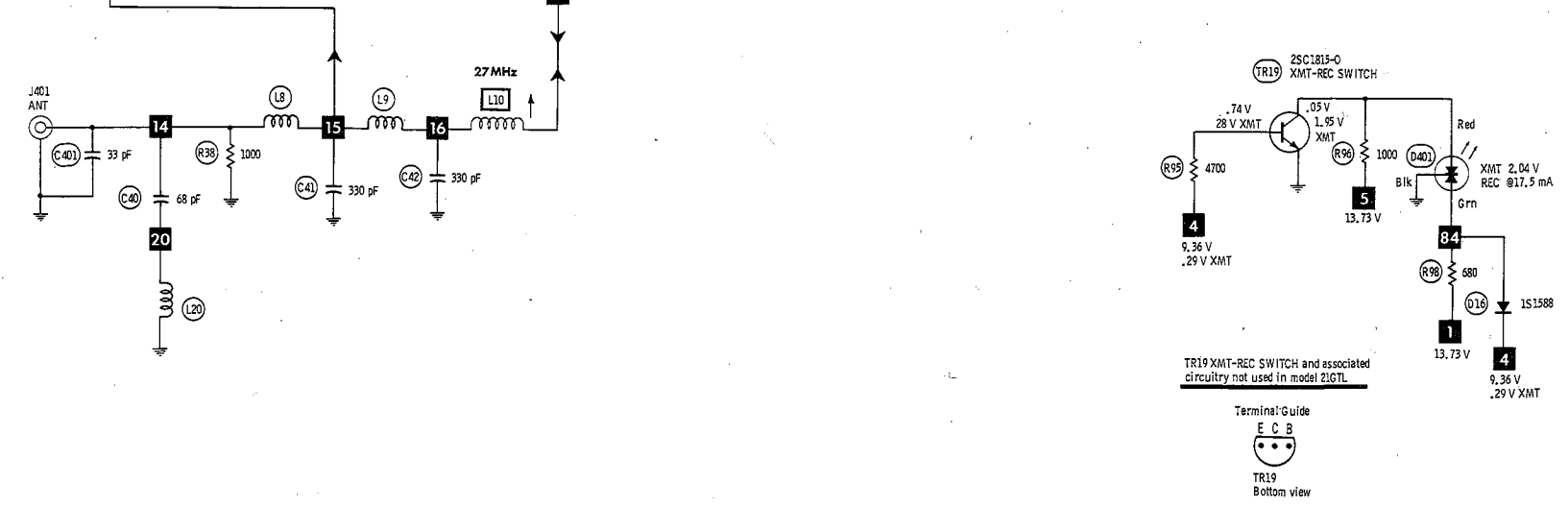
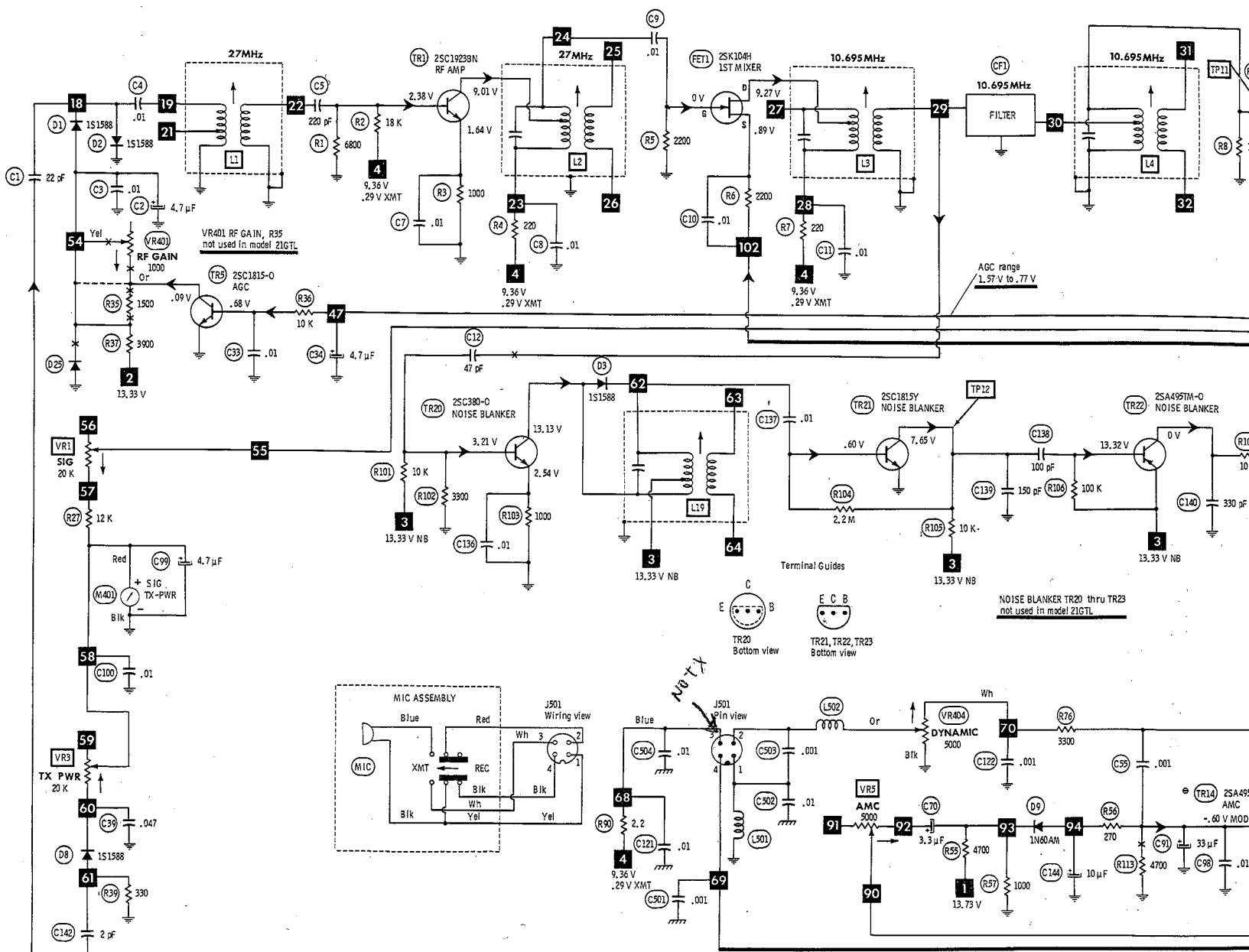
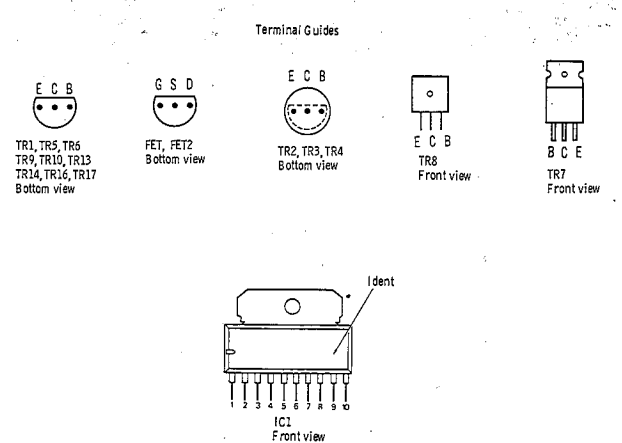


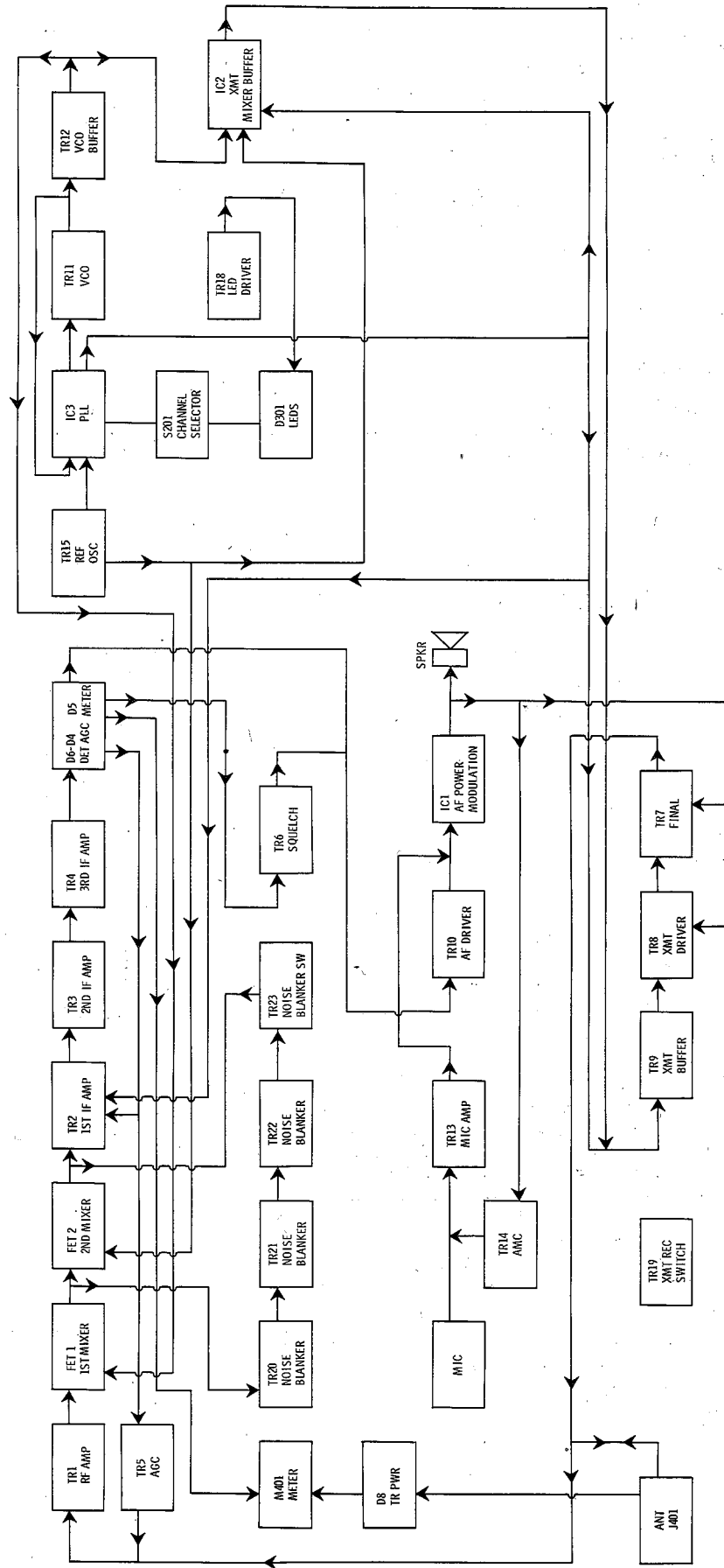
NOISE BLANKER TR20 thru TR23 not used in model 21GTL.





- ✖ Circuitry not used in some versions
 - Circuitry used in some versions
 - ⊙ See parts list
 - * Nominal value
 - ⊥ Ground
 - Chassis
 - ▽ Common tie point
- Measurements made in Channel 1 with switching as shown unless noted. Item numbers in rectangles appear in the alignment/adjustment instructions. Supply voltage maintained as shown at input. Voltages measured with digital meter, no signal. Controls adjusted for normal operation. Arrow at control indicates direction of advance. Terminal identification may not be found on unit. Resistors are 1/2W or less, 5% unless noted. Value in () used in some versions.





BLOCK DIAGRAM