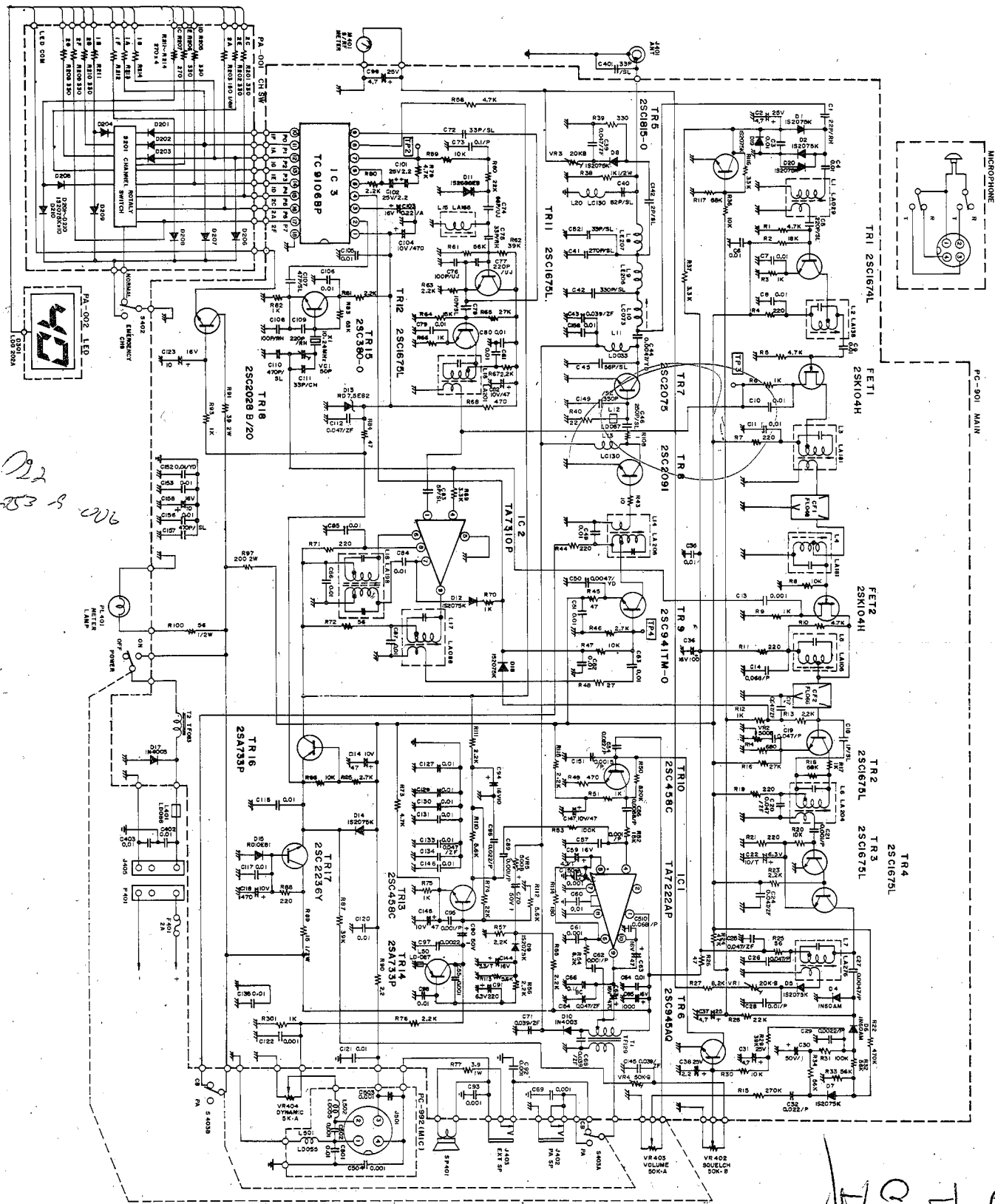


CIRCUIT DIAGRAM FOR COBRA 21LTD



22
203-8-206

Over Mod
BR14
070
D9 clud

- NOTES:
1. DIMENSIONAL VALUES ARE GIVEN IN OHMS UNLESS OTHERWISE NOTED. (K=KILO OHM, M=MEG OHM.)
 2. RESISTOR VALUES ARE 1/8W UNLESS OTHERWISE NOTED.
 3. CAPACITANCE VALUES ARE INDICATED IN MICROFARADS UNLESS OTHERWISE NOTED.
 4. ALL CAPACITORS TEMPERATURE CHARACTERISTICS ARE 10 UNLESS OTHERWISE NOTED.
 5. CIRCUIT AND COMPONENTS ARE SUBJECT TO CHANGE WITHOUT NOTICE.

BILL OF MATERIAL FOR COBRA 21LTD

CIRCUIT SYMBOL	DESCRIPTION	DYNASCAN PART NO.
SEMICONDUCTORS		
IC-1	Integrated Circuit, TA7222AP	307-288-9-001
IC-2	Integrated Circuit, TA7310P	307-133-9-004
IC-3	Integrated Circuit, TC9106BP	307-144-9-001
FET-1,2	Field Effect Transistor, 2SK104-H	182-055-9-001
TR-1	Transistor, 2SC1674-L	176-081-9-002
TR-2,3,4,11,12	Transistor, 2SC1675-L	176-085-9-001
TR-6	Transistor, 2SC945A-Q	176-062-9-001
TR-14,16	Transistor, 2SA733-P	177-020-9-001
TR-10,13	Transistor, 2SC458-C	176-048-9-002
TR-8	Transistor, 2SC2081	176-074-9-002
TR-5	Transistor, 2SC1815-O	176-085-9-002
TR-9	Transistor, 2SC941TM-O	176-089-9-004
TR-15	Transistor, 2SC380-O	176-089-9-002
TR-17	Transistor, 2SC2236-Y	176-089-9-006
TR-7	Transistor, 2SC2075	176-089-9-007
TR-18	Transistor, 2SC2028-B/20	172-038-9-001
D-1,2,5,7,8,9,12,14,18,19,20,201,202,203,204,205,206,207,208,209,210	Diode, 1S2075K	151-028-9-001
D-4,6	Diode, 1N60AM	150-014-9-001
D-13	Diode, Zener, RD7.5EB2	152-097-9-001
D-15	Diode, Zener, RD10EB1	152-109-9-001
D-11	Diode, Vari-Cap, 1S2698EB	154-006-9-001
D-10,17	Diode, 1N4003	151-083-9-001
D-301	Diode, LED, LDG202A	158-042-9-001
INDUCTORS		
L-1	Coil, LA-029	060-023-9-001
L-17	Coil, LA-088	066-019-9-002
L-5	Coil, LA-106	060-021-9-003
L-2	Coil, LA-138	046-024-9-001
L-15	Coil, LA-165	044-046-9-001
L-3,4	Coil, LA-181	060-024-9-002
L-18	Coil, LA-198	060-029-9-001
L-16	Coil, LA-201	046-024-9-002
L-6	Coil, LA-204	046-024-9-003
L-14	Coil, LA-208	060-029-9-004
L-7	Coil, LA-276	046-024-9-004
L-10	Coil, LC-073	044-041-9-001
L-13,20	Coil, LC-130	041-106-9-001
L-11	Coil, LD-033	041-083-9-003
L-501,502	Coil, LD-055	041-137-9-001
L-12,50	Ferrite Bead Core, LD-087	044-048-9-003
L-401	Ferrite Bead Core Coil, LD-088	044-051-9-001
L-9	Coil, LE-206	041-137-9-002
L-8	Coil, LE-207	041-137-9-003
T-2	Transformer, AF Choke, TF-083	042-021-9-001
T-1	Transformer, Output, TF-129	061-039-9-001

CIRCUIT SYMBOL	DESCRIPTION	DYNASCAN PART NO.
SEMI-FIXED & VARIABLE RESISTORS		
VR-2,5	Resistor, Semi-fixed, RV-182 500 ohm B	008-372-9-001
VR-1,3	Resistor, Semi-fixed, RV-182 20K ohm B	008-375-9-004
VR-4	Resistor, Semi-fixed, RV-182 50K ohm B	008-375-9-002
VR-404	Resistor, Variable, RV-341 5K ohm A	008-471-9-001
VR-403	Resistor, Variable, RV-320 50K ohm A	008-347-9-002
VR-402	Resistor, Variable, RV-331 50K ohm B	008-347-9-003

NOTE:
Resistor tolerance: J = ±5% K = ±10%

CIRCUIT SYMBOL	DESCRIPTION	DYNASCAN PART NO.
FIXED RESISTORS		
R-108	Resistor, Carbon, Formed VERT, 1 ohm 1/8W J	
R-43	Resistor, Carbon, Formed VERT, 10 ohm 1/8W J	
R-40	Resistor, Carbon, Formed VERT, 22 ohm 1/8W J	
R-48	Resistor, Carbon, Formed VERT, 27 ohm 1/8W J	
R-100	Resistor, Carbon, Axial Lead, 56 ohm 1/2W K	
R-38	Resistor, Solid, 1K ohm 1/2W K	
R-77	Resistor, Metal Film, 3.9 ohm 1W K	013-035-9-001
R-91	Resistor, Metal Film, 39 ohm 2W K	013-057-9-001
R-97	Resistor, Metal Film, 200 ohm 2W K	013-015-9-002

NOTE:
The first code indicates tolerance of capacitance:
C = ±0.25pF, D = ±0.5pF, F = ±1pF, G = ±2%, J = ±5%, K = ±10%, M = ±20%, Z = +70% -20%
The second code indicates variation of capacitance with temperature:
YA = ±5%, YB = ±10%, YD = +20 -30%, YE = +20 -50%, YF = +30 -70%, (-25 ~ +85°C), ZF = +30 -80% (-10 ~ +70°C), CH = 0±60ppm/°C, RH = -220ppm/°C±60ppm/°C, CJ = 0±120ppm/°C, RJ = -220ppm/°C±120ppm/°C, TH = -470ppm/°C±60ppm/°C, UJ = -750ppm/°C±120ppm/°C, SL = +350ppm/°C ~ -1000ppm/°C

CIRCUIT SYMBOL	DESCRIPTION	DYNASCAN PART NO.
CAPACITORS		
VC-1	Capacitor, Trimmer, CV-048 50pF	028-052-9-001
C-144	Capacitor, Tantalum, 3.3µF 16V M	
C-59	Capacitor, Tantalum, 4.7µF 16V M	
C-22	Capacitor, Tantalum, 10µF 6.3V M	
C-13,55,61,69,92,93,122,160,502,503,504	Capacitor, Ceramic, 0.001µF 50V Z YF	
C-97	Capacitor, Ceramic, 0.0022µF 50V Z YF	
C-3,4,6,7,8,9,10,11,35,49,51,52,53,60,64,79,80,81,84,85,86,87,98,105,106,115,117,120,121,127,129,130,131,133,135,146,153,156,158,402,403,501	Capacitor, Ceramic, 0.01µF 50V Z YF	
C-66	Capacitor, Semiconductor, 0.1µF 25V Z BC	020-210-9-008

CIRCUIT SYMBOL	DESCRIPTION	DYNASCAN PART NO.
CRYSTALS		
X-1	Crystal, 10.24 MHz, QX-074	132-027-9-001

CIRCUIT SYMBOL	DESCRIPTION	DYNASCAN PART NO.
MISCELLANEOUS		
CF-1	PC Board, Main, PC-901AA	302-599-9-001
CF-2	PC Board, CH SW, PA-001AA	302-570-9-001
S-201	PC Board, LED, PA-002AA	302-571-9-001
S-492,403	PC Board, Mic Jack, PC-992AA	140-029-9-001
J-401	Filter, Ceramic, FL-043	140-022-9-001
J-501	Filter, Ceramic, FL-066	140-022-9-001
J-402,403	Switch, Rotary, SR-239	083-278-9-001
J-405	Switch, Slide, SW-047	084-102-9-001
SP-401	Jack, Antenna, JK-068	772-036-9-001
M401(PL401)	Jack, Microphone, JK-067	773-077-9-002
FC-4021	Jack, Speaker, JK-089	773-086-9-001
P-401	Receptacle, DC Power, JK-052	762-020-9-001
F-401	Speaker, SP-052	580-028-9-001
	Meter, MT-147	320-111-9-001
	Flat Cable, 3.5-50-3.5, WF-001	426-081-9-001
	Insulation Sheet, YD-039	
	Insulation Sheet, YD-041	
	Insulation Sheet, YD-032	
	Bushing, Transistor, YD-019-003	
	Clamper, Wire, YY-047	
	Microphone, MK-185	562-027-9-001
	DC Power Cord, W-070088	426-020-9-001
	Fuse, FS-014 2A	191-251-3-002
	Chassis, 272-130-9-001	
	Cover, Top, 272-131-9-001	
	Cover, Bottom, 747-061-9-001	
	Heat Sink, 251-232-9-001	
	Mounting Bracket, 741-074-9-001	
	Hanger, Microphone, 256-156-9-001	
	Shield Plate, 255-212-9-001	
	Panel, Front, 751-095-9-002	
	Knob, 751-151-9-001	
	Knob, Channel, 634-101-9-001	
	Mounting Screw, 600-090-9-002	
	ID Plate, FCC, 763-176-9-001	
	Nameplate, Front, N/A	
	Optical Filter, Display, 170 x 320 x 0.05	
	Label, Warning DC Cord, 270 x 400 x 0.1	
	Label, Serial No., 360 x 400 x 700 x 0.1	
	Label, Serial No., N/A	
	Vinyl Bag, 170 x 320 x 0.05	
	Vinyl Bag, 270 x 400 x 0.1	
	Vinyl Bag, 360 x 400 x 700 x 0.1	
	Terminal Lug Solder #3	
	Spring Plate, Knob #6	763-084-9-004
	Rivet, AL ID Plate #3.2 x 3.2	
	Display Box, 500-536-9-001	
	Shipping Carton Box, 503-153-9-001	
	Styrofoam Pad, 503-153-9-002	
	Owners Manual, 480-316-9-001	
	Composite, 498-280-9-001	
	Warranty Card, 491-191-9-001	
	Service Station Card, 492-042-0-000	
	FCC Rules Part 95, 492-047-9-001	