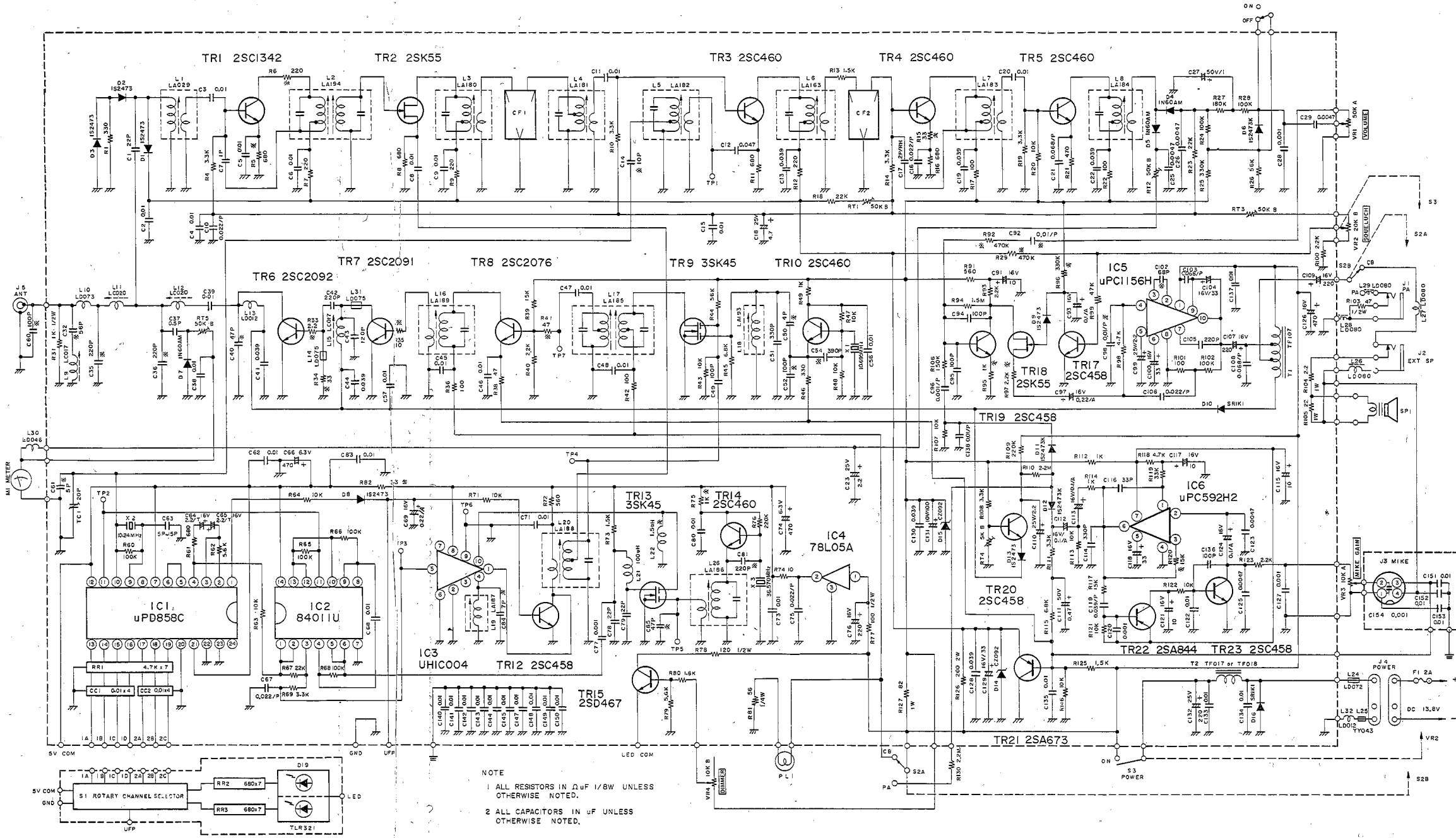


CIRCUIT DIAGRAM FOR COBRA 21X LR



NOTE
 1 ALL RESISTORS IN Ω μ F 1/W UNLESS OTHERWISE NOTED.
 2 ALL CAPACITORS IN μ F UNLESS OTHERWISE NOTED.

* SUBJECT TO CHANGE WITHOUT NOTICE.

