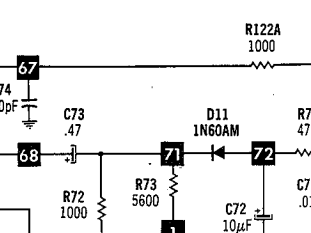
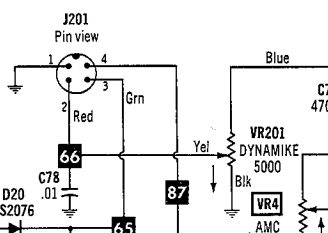
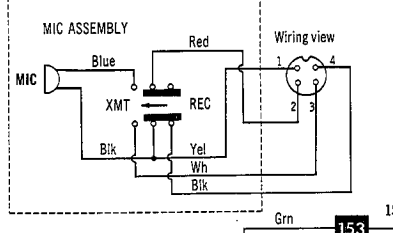
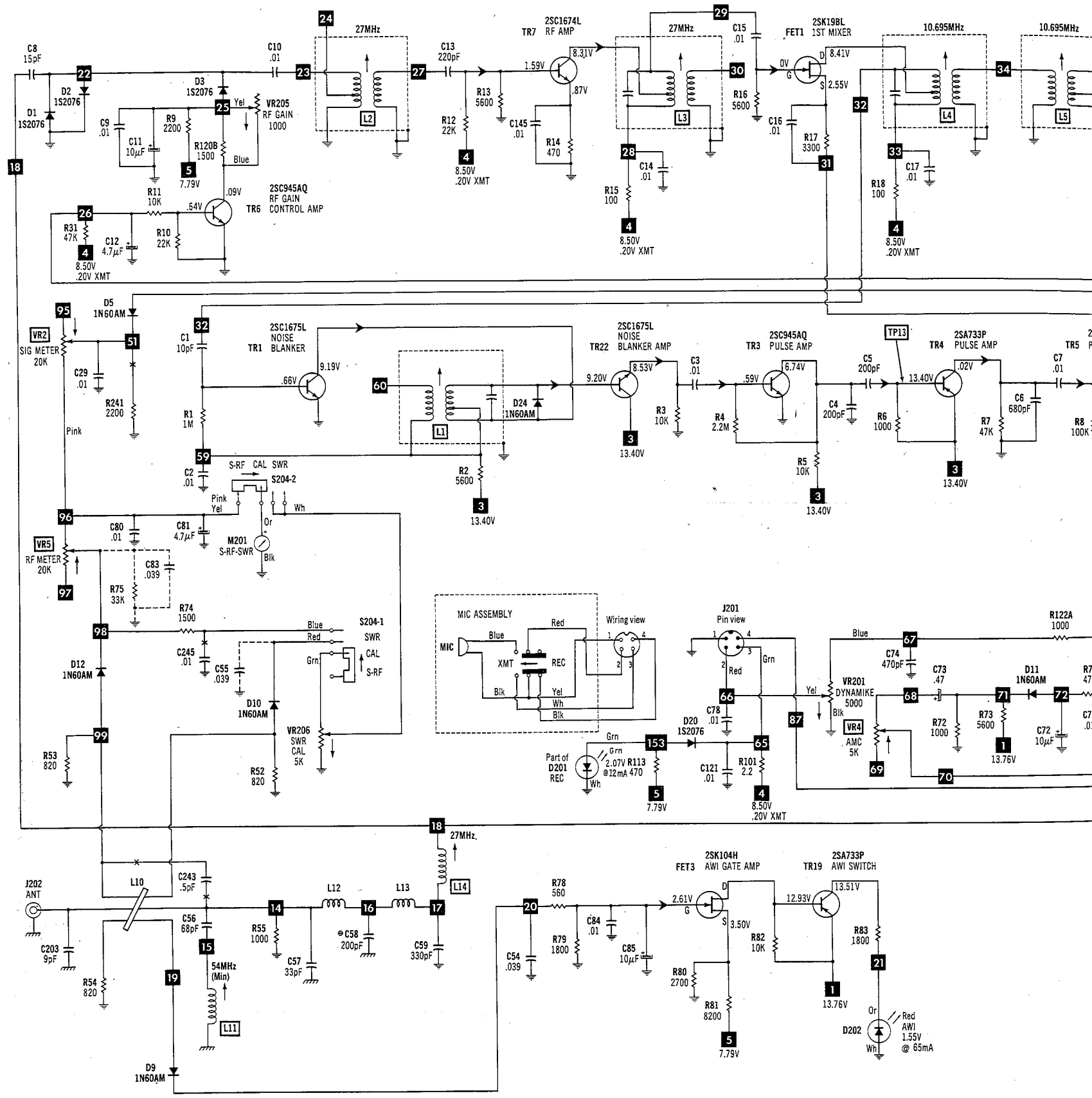
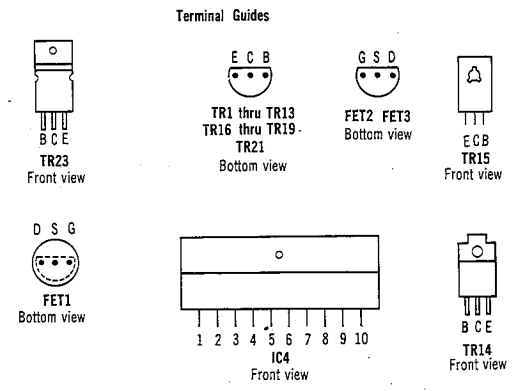
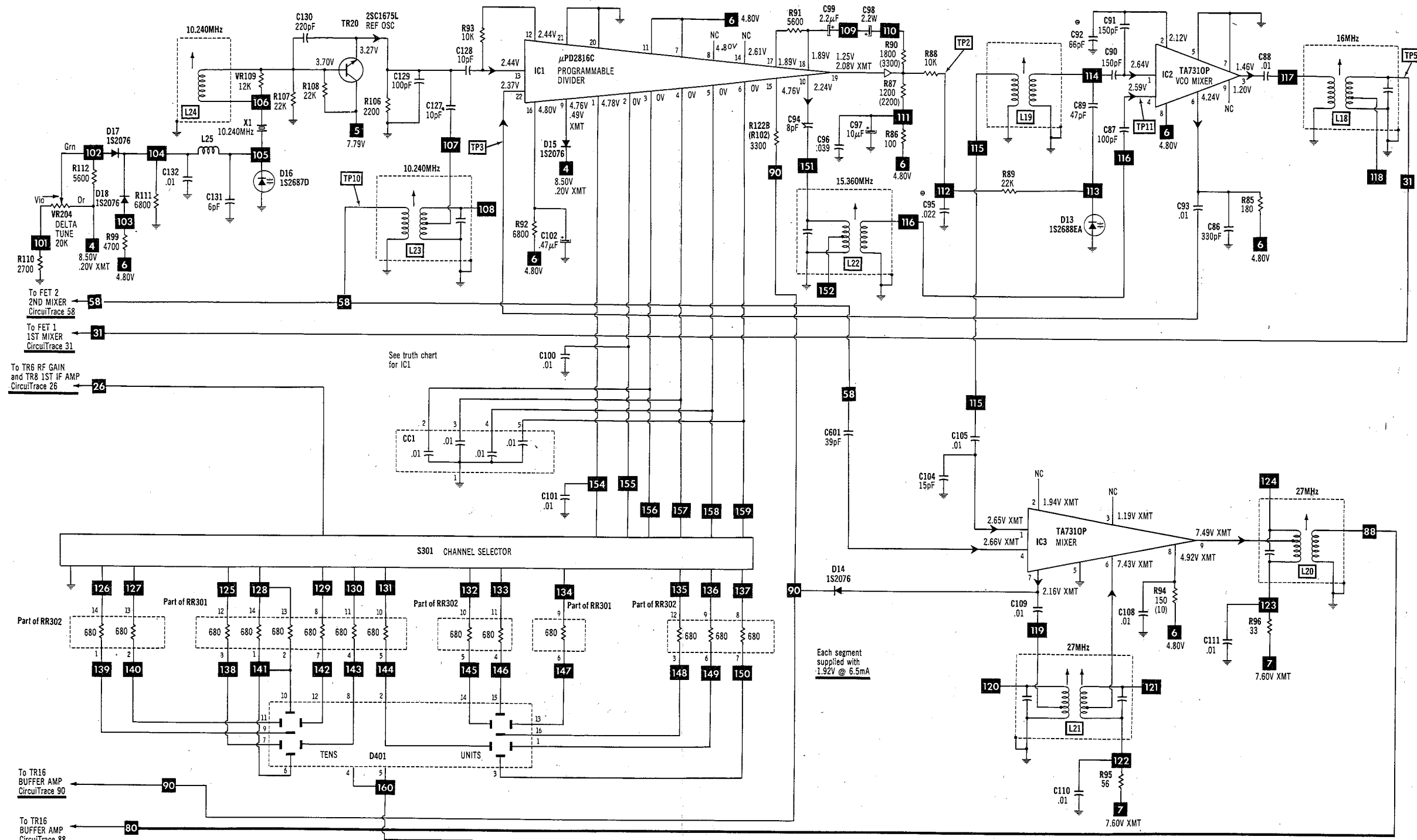


- ✖ Circuitry not used in some versions
- Circuitry used in some versions
- e See parts list
- ⊛ Nominal value
- ⊕ Ground
- ▭ Chassis
- ⊕ Common tie point
- Signal path
- ⤴ Voltage path

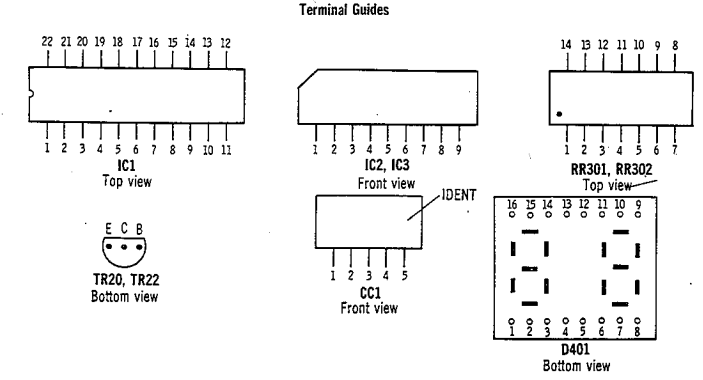
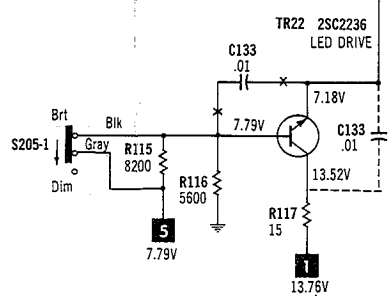
Measurements made in Channel 1 with switching as shown unless noted.  
 Item numbers in rectangles appear in the alignment/adjustment instructions.  
 Supply voltage maintained as shown at input.  
 Voltages measured with digital meter, no signal.  
 Controls adjusted for normal operation.  
 Arrow at control indicates direction of advance.  
 Terminal identification may not be found on unit.  
 Resistors are 1/2W or less, 5% unless noted.  
 Value in ( ) used in some versions.





\* Circuitry not used in some versions  
 - - - Circuitry used in some versions  
 e See parts list  
 \* Nominal value  
 G Ground  
 Chassis  
 Common tie point  
 Signal path  
 Voltage path  
 A PHOTOFACIT STANDARD NOTATION SCHEMATIC  
 WITH **CIRCUITACE**  
 © Howard W. Sams & Co., Inc. 1978

Measurements made in Channel 1 with switching as shown unless noted.  
 Item numbers in rectangles appear in the alignment/adjustment instructions.  
 Supply voltage maintained as shown at input. Voltages measured with digital meter, no signal. Controls adjusted for normal operation. Arrow at control indicates direction of advance. Terminal identification may not be found on unit. Resistors are 1/2W or less, 5% unless noted. Value in ( ) used in some versions.



**PARTS**  
(When order CONTR)

ITEM No.	
VR1	IF
VR2	Sig
VR3	Squ
VR4	AMC
VR5	RF
VR201	Dyn
VR202	Squ
VR203	Vo1
VR204	De1
VR205	RF
VR206	SWR

**COILS (**

ITEM No.	
L1	No1
L2	Rec
L3	Rec
L4	IF
L5	IF
L6	IF
L7	IF
L8	IF
L9	IF
L11	TVI
L12	RF
L13	RF
L14	Fin
L15	RF
L16	XMT
L17	XMT
L18	Ref
L19	VCO
L20	XMT
L21	XMT
L22	PLL
L23	Ref
L24	Ref
L25	RF

**FILTER**

ITEM No.	CURR (Meas)
T2	1

**TRANS**

ITEM No.	PR
T1	1

**SPEAKE**

ITEM No.	
SP201	4"

**FUSE D**

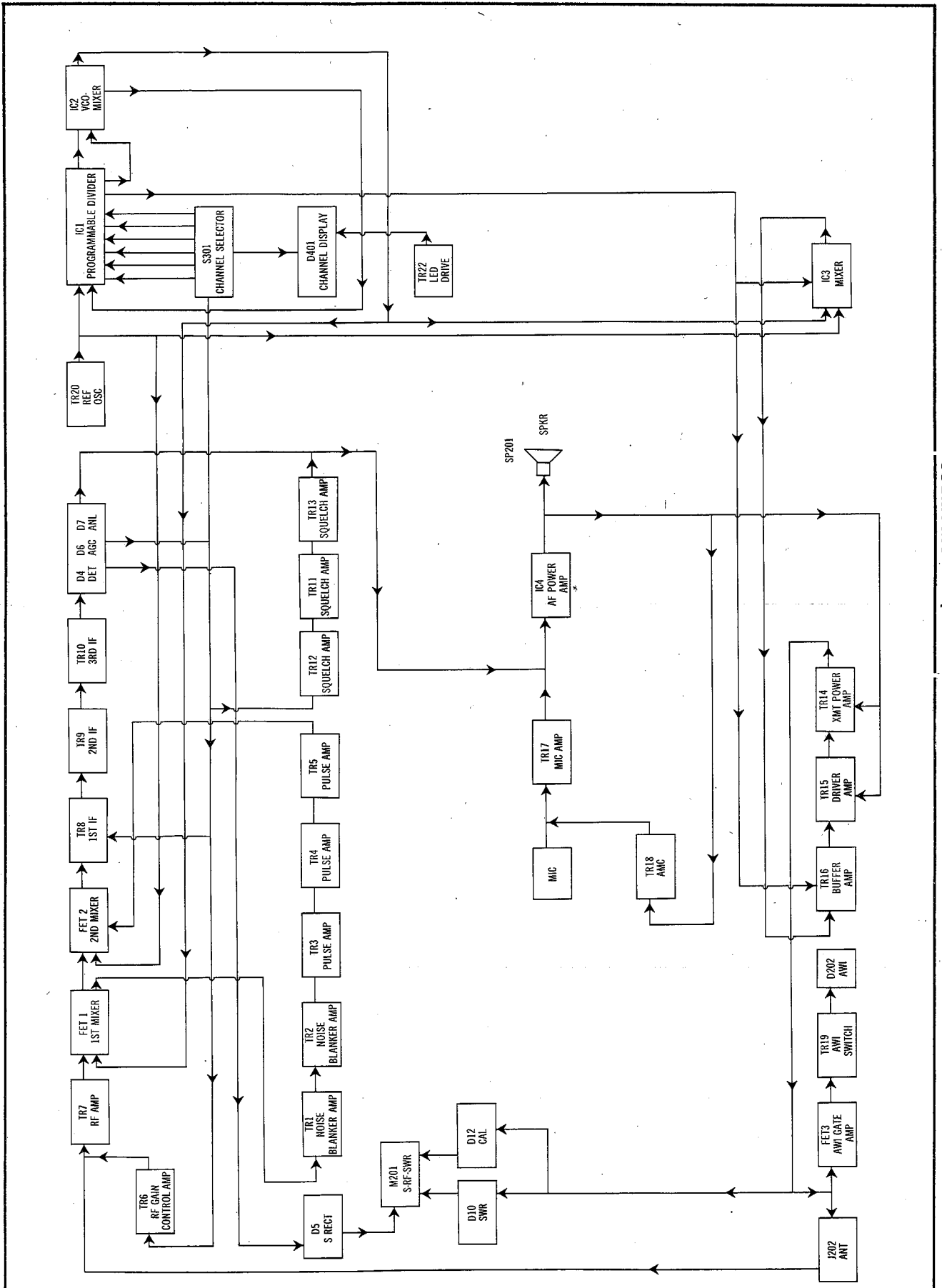
ITEM No.	
F201	2A

**MICRO**

ITEM No.	PA
MIC	562

**MISCEL**

ITEM No.	
D201	LEU
D202	LEU
D401	LEU
FL1	Ce
FL2	Ce
M201	Me
S202	Sw
S203	Sw
S204	Sw
S205	Sw
S207	Sw
S301	Cr
X1	Pr
	Pr



BLOCK DIAGRAM