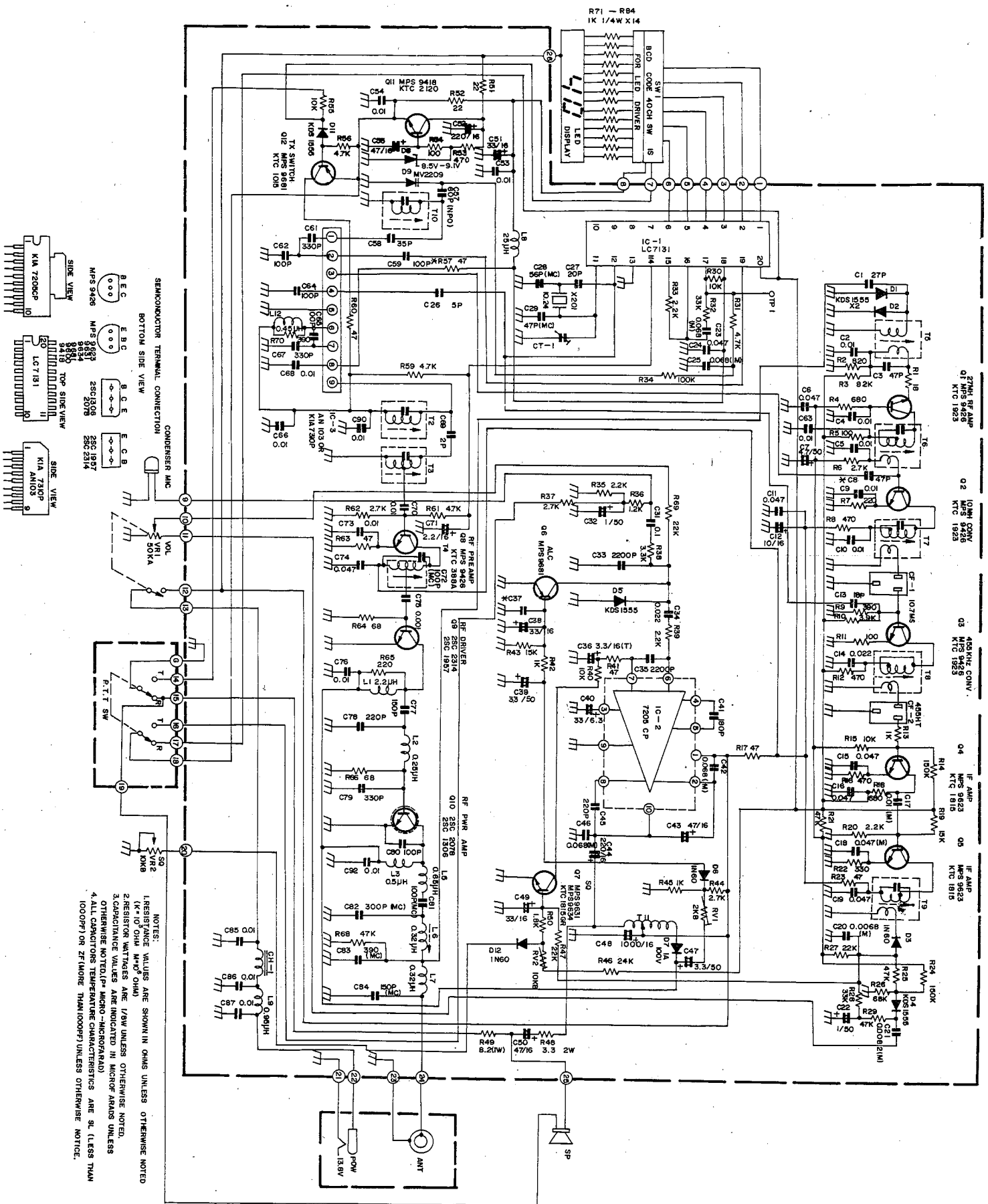


# SCHEMATIC DIAGRAM



# BILL OF MATERIAL FOR COBRA 39LTD

REFERENCE	PARTS NAME & DESCRIPTION	DYNASCAN PART NO.	REFERENCE	PARTS NAME & DESCRIPTION	DYNASCAN PART NO.
Q3	Transistor MPS9426(B)		C45, 78	Capacitor Ceramic 220pF 50WV	
Q1, 2, 8	Transistor MPS9426(C)		C33, 35	Capacitor Ceramic 0.0022μF 50WV	
Q12, 6	Transistor MPS9681(T)		C14, 34	Capacitor Ceramic 0.022μF 50WV	
Q11	Transistor MPS9418A(T)		C1	Capacitor Ceramic 27pF 50WV	
Q4	Transistor MPS9623(H)		C61, 67, 79	Capacitor Ceramic 330pF 50WV SL	
Q5	Transistor MPS9623(I)		C58	Capacitor Ceramic 35pF 50WV	
Q7	Transistor MPS9631(T)		C3, 8	Capacitor Ceramic 47pF 50WV	
Q10	Transistor 2SC2078(E)		C6, 11, 15, 16, 19, 24, 74	Capacitor Ceramic 0.047μF 50WV	
Q9	Transistor 2SC2314(E)		C26	Capacitor Ceramic 5pF 50WV	
IC2	I.C KIA7205CP		C57	Capacitor Ceramic 60pF (NPO) 50WV	
IC1	I.C LC7131 40CH PLL		C72, 81	Capacitor Mica 100pF 50WV	
IC3	I.C AN103		C84	Capacitor Mica 150pF 50WV	
D3, 6, 12	Diode GE 1N60 or 1S34 or 0A90		C82	Capacitor Mica 300pF 50WV	
D8	Diode Zener 9.1V or UZ9.1B		C83	Capacitor Mica 390pF 50WV	
D1, 2, 4, 5, 11	Diode SI KDS1555		C29	Capacitor Mica 47pF 50WV	
D7	Diode 1A100V or 1N4002		C28	Capacitor Mica 56pF 50WV	
D9	Diode Varicap SVC251Y or MV2209		CT-1	Capacitor Trimmer 20pF TZ03R200E	
X201	L.E.D Display KLR321		CH-1	Trans Former Choke	
CF1	Crystal 10.240MHz HC-18/U		T10	Trans Former OPT	
CF2	Filter Ceramic SFE 10.7MS2A		L1	Coil RF Choke 2.2μH PC Type	
R11, 54	Filter Ceramic CFU455HT		L8	Coil RF Choke 25μH PC	
R5	Resistor Carbon Film 100 ohm 1/8W +5%		L2	Choke Coil 0.25μH Spring Type	
R71-84	Resistor Carbon Film 1K ohm 1/8W +5%		L7	Choke Coil 0.32μH Spring Type	
R13, 42, 5	Resistor Carbon Film 1K ohm 1/8W +5%		L6	Choke Coil Wire 0.6 & 2UEW 0.32μH Spring	
R15, 30, 55	Resistor Carbon Film 10K ohm 1/8W +5%		L12	Coil RF Choke 0.45μF PC Type	
R40	Resistor Carbon Film 10K ohm 1/8W +5%		L3	Choke Coil 0.55μH Spring Type	
R34	Resistor Carbon Film 10K ohm 1/8W +5%		L5	Choke Coil 0.65μH Spring Type	
R57	Resistor Carbon Film 100K ohm 1/8W +5%		L9	Choke Coil 0.95μH Bobbin Type	
R36	Resistor Carbon Film 120 ohm 1/8W +5%		T2	Coil AM AMP 10M/M 27MHz A	
R19, 43	Resistor Carbon Film 1.2K ohm 1/8W +5%		T3	Coil AM AMP 10M/M 27MHz C	
R14, 24	Resistor Carbon Film 15K ohm 1/8W +5%		T4	Coil TX PRE 27MHz	
R1	Resistor Carbon Film 150K ohm 1/8W +5%		T10	Coil AM VCO PLL	
R50	Resistor Carbon Film 18 ohm 1/8W +5%		T5	IFT Coil 27MHz RX ANT.	
R51, 2	Carbonfilm Resistor 1.8K ohm 1/8W +5%		T6	IFT Coil 27MHz RF AMP (RX)	
R7, 65	Resistor Carbon Film 22 ohm 1/8W +5%		T7	IFT Coil 10.6MHz RF 1st MIXTER (RX)	
R20, 33	Resistor Carbon Film 220 ohm 1/8W +5%		T8	IFT Coil 455KHz-A	
R39, 35	Resistor Carbon Film 2.2K ohm 1/8W +5%		T9	IFT Coil 455KHz-B	
R27, 47	Resistor Carbon Film 2.2K ohm 1/8W +5%		L11	ANT Tuning 3-5900C	
R69	Resistor Carbon Film 22K ohm 1/8W +5%		702130610	P.C.B Main 190x74x1.6T	
R46	Resistor Carbon Film 22K ohm 1/8W +5%		732140180	P.C.B ANT 60x60x1.6T	
R62	Resistor Carbon Film 24K ohm 1/8W +5%		73514017A	P.C.B Channel S.W 41x41.5x1.6T	
R6, 37, 44	Resistor Carbon Film 2.7K ohm 1/8W +5%		735230370	P.C.B LED Display 30x34x1.6T	
R22	Resistor Carbon Film 2.7K ohm 1/8W +5%		742130110	P.C.B PTT S.W 16x18.5x1.6T	
R38	Resistor Carbon Film 3.3K ohm 1/8W +5%		761130400	Front Body	
R28, 32	Resistor Carbon Film 3.3K ohm 1/8W +5%		761140230	Holder (Lever MTG)	
R9, 70	Resistor Carbon Film 390 ohm 1/8W +5%		761140410	Holder (SPK MTG)	
R10	Resistor Carbon Film 3.9K ohm 1/8W +5%		773130050	Holder (MIC MTG)	
R17, 63, 60	Resistor Carbon Film 47 ohm 1/8W +5%		773140040	P.T.T Lever	
R23, 41	Resistor Carbon Film 47 ohm 1/8W +5%		774130140	Heat Sink (B)	
R53	Resistor Carbon Film 470 ohm 1/8W +5%		774140150	Heat Sink (A)	
R8, 16, 12	Resistor Carbon Film 470 ohm 1/8W +5%		784142710	Heat Sink	
R31, 56, 59, 61	Resistor Carbon Film 4.7K ohm 1/8W +5%		784142910	Shield Housing	
R21, 25, 29	Resistor Carbon Film 4.7K ohm 1/8W +5%		801120360	Shield Housing	
R68	Resistor Carbon Film 47K ohm 1/8W +5%		811140260	Shield Plate (Bottom)	
R64, 66	Resistor Carbon Film 68 ohm 1/8W +5%		82113006B	Shield Plate (Upper)	
R18	Resistor Carbon Film 68 ohm 1/8W +5%		82213007B	Back Plate	
R4	Resistor Carbon Film 680 ohm 1/8W +5%		836140230	F.C.C Name Plate	
R26	Resistor Carbon Film 68K ohm 1/8W +5%		842110220	Escutcheon	
R2	Resistor Carbon Film 820 ohm 1/8W +5%		842110230	Lens	
R3	Resistor Carbon Film 82K ohm 1/8W +5%		861121310	Knob (Channel)	
R49	Resistor Metaloxide 8.2 ohm 1W		865141290	Knob (Control)	
VR2	Resistor Variable (VR) 10KB (WO/S,W)		865441130	Cap (Lever)	
VR1	Resistor Variable (VR) 50KA (W/OFF-ON SW)		86613002A	Cabinet (Back)	
RV2	Resistor Semifixed 10K ohm 8 DIA		866141350	Cabinet (Upper)	
RV1	Resistor Semifixed 2K ohm 8 DIA		896140450	Cabinet (Bottom)	
R48	Resistor Metafilm 3.3 ohm 2W		898140440	Power Ant Ass'y	
C12	Capacitor Elect 10μF 16WV (5DIAx11)		904140590	Speaker 2 1/2" 8 ohm 0.5W	
C48	Capacitor Elect 1000μF 16WV		906140780	Condenser MIC	
C22, 32	Capacitor Elect 1.0μF 50WV		906140940	Rotary S.W 40CH	
C44, 52	Capacitor Elect 2.2μF 16WV (10DIAx16.5)		411145010	P.T.T S.W	
C71	Capacitor Elect 2.2μF 16WV (5DIAx11)		413146010	Sponge (P.T.T S.W)	
C51, 38, 49, 40	Capacitor Elect 3.3μF 16WV		414146020	Sponge (Cover)	
C36	Capacitor Elect 3.3μF 16WV (&5x11) LN TYPE		418146030	Speaker Grill	
C39, 47	Capacitor Elect 47μF 16WV		613308010	Insulation Plate	
C43, 50 55	Capacitor Elect 47μF 50WV		613315020	Insulation Plate	
C7	Capacitor Mylar 0.01μF 50WV		613404010	Main P.C.B	
C17	Capacitor Mylar 0.047μF 50WV		614306010	Channel S.W P.C.B	
C18	Capacitor Mylar 0.0068μF 50WV		621105110	L.E.D Display P.C.B	
C20	Capacitor Mylar 0.008μF 50WV		621106110	P.T.T S.W P.C.B	
C23, 25, 42, 46	Capacitor Mylar 0.008μF 50WV-K		621308110	(+) Machine Screw (B.H) M3x8 (Black)	
C21	Capacitor Mylar 0.008μF 50WV		651003110	(+) Machine Screw (B.H) M3x15	
C59, 62, 64, 65, 80	Capacitor Ceramic 100pF 50WV		662003110	(+) Machine Screw (R.H) M3x4	
C75, 76, 85, 86, 87, 90, 92	Capacitor Ceramic 0.001μF 50WV		15503211A	(+) Machine Screw (R.H) M3x6	
C2, 4, 5, 9, 10, 53, 4, 63, 6, 8, 70, 3	Capacitor Ceramic 0.01μF 50WV (HIK (B))		15103201B	(+) Tapping Screw (P.H) T2.6x5-1S	
C31	Capacitor Ceramic 0.1μF 12V (DD600-2578C 104Z12V)		01130040E	(+) Tapping Screw (P.H) T2.6x6-1S	
C77	Capacitor Ceramic 150pF 50WV		021100300	(+) Tapping Screw (P.H) T3x8-1S	
C13	Capacitor Ceramic 18pF 50WV			Nut (M3)	
C41	Capacitor Ceramic 180pF 50WV			Spring Washer (M3)	
C27	Capacitor Ceramic 20pF 50WV			V.R 50KA	
C69	Capacitor Ceramic 2pF 50WV			V.R 10KA	
				T.R 2SC2078(E)	
				I.C KIA 7205 CP	