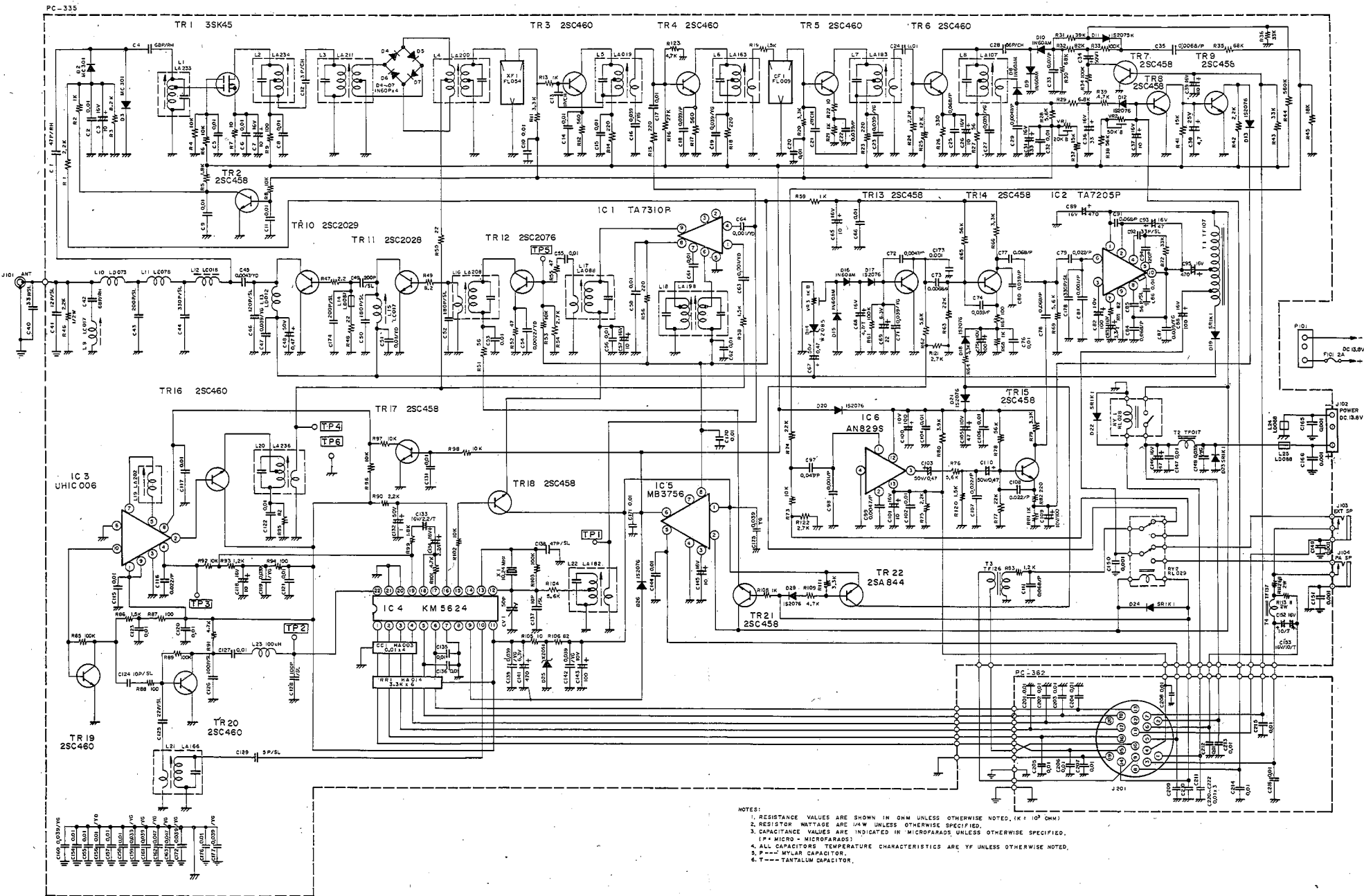


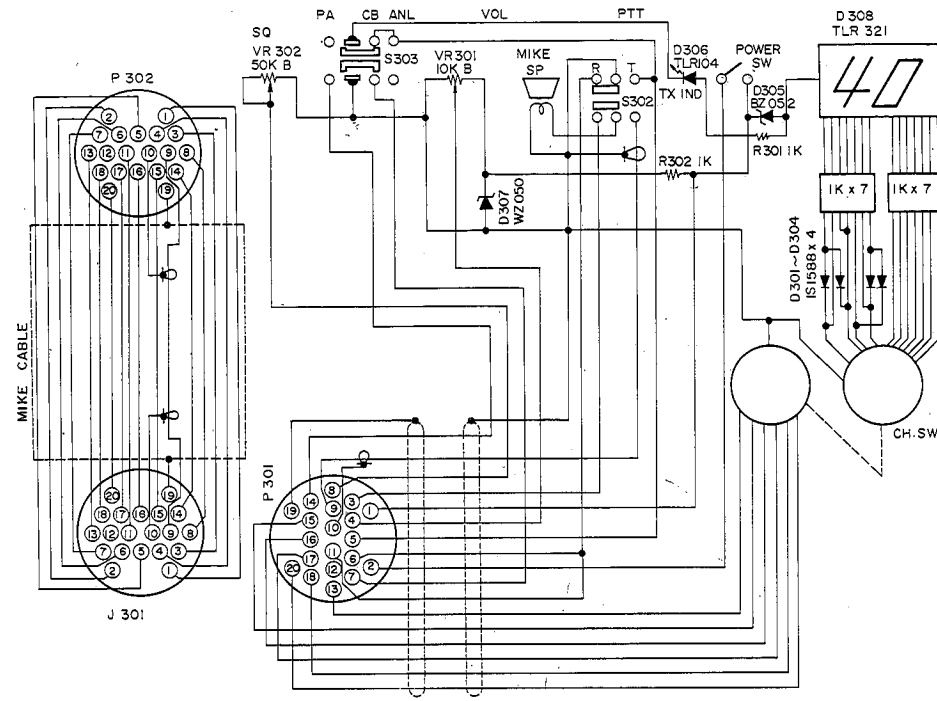
MAIN

CIRCUIT DIAGRAM FOR COBRA 62XLR

MIKE ASS'Y



- NOTES:
1. RESISTANCE VALUES ARE SHOWN IN OHM UNLESS OTHERWISE NOTED. (K = 10³ OHM)
 2. RESISTOR WATTAGE ARE 1/4W UNLESS OTHERWISE SPECIFIED.
 3. CAPACITANCE VALUES ARE INDICATED IN MICROFARADS UNLESS OTHERWISE SPECIFIED. (P = MICRO - MICROFARADS)
 4. ALL CAPACITORS TEMPERATURE CHARACTERISTICS ARE YF UNLESS OTHERWISE NOTED.
 5. P = PAPER CAPACITOR.
 6. T = TANTALUM CAPACITOR.



BILL OF MATERIAL FOR COBRA 62XL R

CIRCUIT SYMBOL	DESCRIPTION	DYNASCAN PART NO.	CIRCUIT SYMBOL	DESCRIPTION	DYNASCAN PART NO.
SEMICONDUCTORS					
IC-4	IC	KM624	L-24,25	Coil	LD-088
IC-3	IC	UHC.006	L-23	Micro Inductor	LZ-001
IC-2	IC	TA7205P	T-2	Choke Transformer	TF-017
IC-1	IC	TA7310P	T-4	Choke Transformer	TF-137
IC-5	IC	MB8755	T-1	Out put Transformer	TF-107
IC-6	IC	AN8295	T-3	Transformer for Mike	TF-128
INDUCTANCES (Continued)					
TR-22	Transistor	25A84 C	VR-3	Semifixed Resistor	RV-189
TR-5,4,5,16,19,20	Transistor	25C40 B	VR-1	Semifixed Resistor	RV-189
TR-17,18,21,7,8,9,13,14,15	Transistor	25C48 C	VR-2	Semifixed Resistor	RV-189
TR-10	Transistor	25C2028	RESISTORS		
TR-12	Transistor	25C2076 C	R-46	Solid Resistor	22K ohm 1/2W
TR-1	FET	3SK45 B	R-112,113	Metalized Resistor	8 ohm 2W
D-8,9,10,12,15,16	Diode	1N60-AM	R-47	Carbon Resistor	2.2K ohm 1/4W
D-13,17,18,20,21,26,29	Diode	1S2076	R-49	Carbon Resistor	8.2 ohm 1/4W
D-11	Diode	1S2075 K	R-7,22,105	Carbon Resistor	10 ohm 1/4W
D-19,22,23,24	Diode	SR1K1	R-48,50	Carbon Resistor	22 ohm 1/4W
D-2,3	Diode	1N60-AP	R-52,55	Carbon Resistor	47 ohm 1/4W
D-4,5,6,7	Diode	1N60-P	R-27,51	Carbon Resistor	56 ohm 1/4W
D-1,25	Zener Diode	XZ-051	R-71,95,106	Carbon Resistor	82 ohm 1/4W
D-14	Zener Diode	WZ-085	R-9,67,82,87,88,94	Carbon Resistor	100 ohm 1/4W
INDUCTANCES					
L-5	Coil	LA-019	R-14,15,18,23,26	Carbon Resistor	120 ohm 1/4W
L-17	Coil	LA-088	R-12	Carbon Resistor	220 ohm 1/4W
L-8	Coil	LA-107	R-17	Carbon Resistor	470 ohm 1/4W
L-21	Coil	LA-163	R-1	Carbon Resistor	560 ohm 1/4W
L-26	Coil	LA-166	R-12	Carbon Resistor	1K ohm 1/4W
L-22	Coil	LA-182	R-9,93	Carbon Resistor	1.2K ohm 1/4W
L-7	Coil	LA-183	R-58,98,19	Carbon Resistor	1.5K ohm 1/4W
L-18	Coil	LA-188	R-99,5	Carbon Resistor	1.8K ohm 1/4W
L-4	Coil	LA-200	R-1,24,42,75,76,90	Carbon Resistor	2.2K ohm 1/4W
L-19	Coil	LA-202	R-54	Carbon Resistor	2.7K ohm 1/4W
L-16	Coil	LA-208	R-66,64,79,83,111,111,16,20	Carbon Resistor	3.3K ohm 1/4W
L-3	Coil	LA-211	R-39,91,101,109	Carbon Resistor	4.7K ohm 1/4W
L-1	Coil	LA-233	R-28,69,104	Carbon Resistor	5.6K ohm 1/4W
L-2	Coil	LA-234	R-29	Carbon Resistor	6.8K ohm 1/4W
L-9,15	Coil	LA-236	R-4	Carbon Resistor	8.2K ohm 1/4W
L-12	Coil	LC-017	R-4,6,8,25,35,37,53,73,74,94,92,97,96,97,98,102	Carbon Resistor	10K ohm 1/4W
L-13	Coil	LD-018	R-41	Carbon Resistor	15K ohm 1/4W
L-10	Coil	LD-012	R-38,63,77	Carbon Resistor	22K ohm 1/4W
L-14	Coil	LD-073	R-43,72,36	Carbon Resistor	33K ohm 1/4W
			R-31	Carbon Resistor	39K ohm 1/4W

CIRCUIT SYMBOL	DESCRIPTION	DYNASCAN PART NO.	CIRCUIT SYMBOL	DESCRIPTION	DYNASCAN PART NO.
RESISTORS (Continued)					
R66,78	Carbon Resistor	56K ohm 1/4W	C-35	Mylar Capacitor	0.0011uF 25V M
R89,103,32,33,34,61,85	Carbon Resistor	100K ohm 1/4W	C-29,72,33	Mylar Capacitor	0.0047uF 25V M
R44	Carbon Resistor	560K ohm 1/4W	C-73	Mylar Capacitor	0.0068uF 25V M
RR-1	Compound Parts	HA-014	C-79,97,107,111,112,116	Mylar Capacitor	0.022uF 25V M
CC-1	Compound Parts	HA-003	C-18,22,74,108	Mylar Capacitor	0.039uF 25V M
CAPACITORS					
C-1	Ceramic Capacitor	47pF 50V K RH	C-25,77,78,84,91	Mylar Capacitor	0.047uF 25V M
C-4,42	Ceramic Capacitor	68pF 50V K RH	C-103	Electrolytic Capacitor	0.47uF 50V M
C-13	Ceramic Capacitor	10pF 50V C CH	C-34,132	Electrolytic Capacitor	1.00uF 50V M
C-21	Ceramic Capacitor	29pF 50V C CH	C-38	Electrolytic Capacitor	4.70uF 16V M
C-28	Ceramic Capacitor	56pF 50V C CH	C-3,7,26,36,37,145,39,57,65,101,118	Electrolytic Capacitor	10.00uF 16V M
C-2	Ceramic Capacitor	56pF 50V K SL	C-93,106,148	Electrolytic Capacitor	22.00uF 63V M
C-12	Ceramic Capacitor	29pF 50V D SL	C-75,82,109,143	Electrolytic Capacitor	47uF 16V M
C-129	Ceramic Capacitor	50pF 50V D SL	C-141	Electrolytic Capacitor	100uF 10V M
C-124,137	Ceramic Capacitor	100pF 50V K SL	C-88,89,95	Electrolytic Capacitor	470uF 6.3V M
C-41	Ceramic Capacitor	129pF 50V K SL	C-133,134	Electrolytic Capacitor	2.2uF 16V M
C-101,125	Ceramic Capacitor	229pF 50V K SL	C-83	Tantalum Capacitor	3.3uF 16V M
C-138	Ceramic Capacitor	339pF 50V K SL	C-68	Tantalum Capacitor	4.7uF 16V M
C-85	Ceramic Capacitor	47pF 50V K SL	C-152,153	Tantalum Capacitor	10uF 16V M
C-94,126,128	Ceramic Capacitor	56pF 50V K SL	VC-1	Variable Capacitor	CV-024 50pF
C-50,52	Ceramic Capacitor	100pF 50V K SL	CF-1	Ceramic Filter	FL-009
C-43	Ceramic Capacitor	120pF 50V K SL	XF-1	Crystal	FL-054
C-49	Ceramic Capacitor	200pF 50V K SL	X-1	Crystal	OX-080
C-44	Ceramic Capacitor	220pF 50V K SL			
C-149,151	Ceramic Capacitor	330pF 50V K SL			
C-5,8	Ceramic Capacitor	0.001uF 25V Z YF			
C-2,6,9,11,14,15,17,24,32,53,55,56,58,69,61,62,66,76,86,99,102,104,106,115,117,121,122,123,127,131,135,136,144,147,202,203,204,205,206,207,208,209,210,211,212,213,214,215,216,217,218,219,220,221,222,223,224,225,226,227,228,155,156,157,126	Ceramic Capacitor	0.039uF 25V Z YG			
C-16,23,27,47,71,119,139,142,148,158,159,161	Ceramic Capacitor	0.020-181-9-020			
C-162,163,87	Ceramic Capacitor	0.047uF 25V Z YG			
C-63,64	Ceramic Capacitor	0.001uF 25V M YD			
C-54	Ceramic Capacitor	0.0022uF 25V M YD			
C-45	Ceramic Capacitor	0.0047uF 25V M YD			
C-51,154	Ceramic Capacitor	0.01uF 25V M YD			
C-81,98	Mylar Capacitor	0.001uF 25V M			
MISCELLANEOUS (Continued)					
Connect Holder		763-102-9-001	Microphone		MK-088 Assembly
Mic Hanger		741-074-9-001	Relay		RL-028
Heat Sink		747-059-9-001	Antenna Connector		JK-029
FCC Plate		260-144-9-001	Jack Speaker		JK-035
Rear Plate		260-144-9-002	Jack Power		JK-062
Brand Plate		260-144-9-003	Jack Mike		JK-100
Serial No. Seal		484-035-9-001	Check Terminal		TF-029
Warning Label		500-357-9-001	Fuse		FS-001
Display Box		500-357-9-002	DC Cord W/O 229		WF-106
Double Carton		503-149-9-001	Flat Cable		W-070227
Stereoform		488-220-9-001	Wire Clamp		YY-047
Instruction Manual		488-201-9-001	Main Chassis		251-988-9-001
Consist of Schematic Diagram		491-191-9-001	Front Chassis		251-088-9-001
Parts List		492-042-0-000	Case Top		252-025-9-001
Warranty Card		492-041-9-001	Case Bottom		251-345-9-001
Service Station Card		492-047-9-001	Bracket		
FCC Application Card		492-047-9-001			
Part 95 Instruction Manual		302-294-9-001			
Main PCB PC-335 AA					
Mike PCB PC-362 AA					