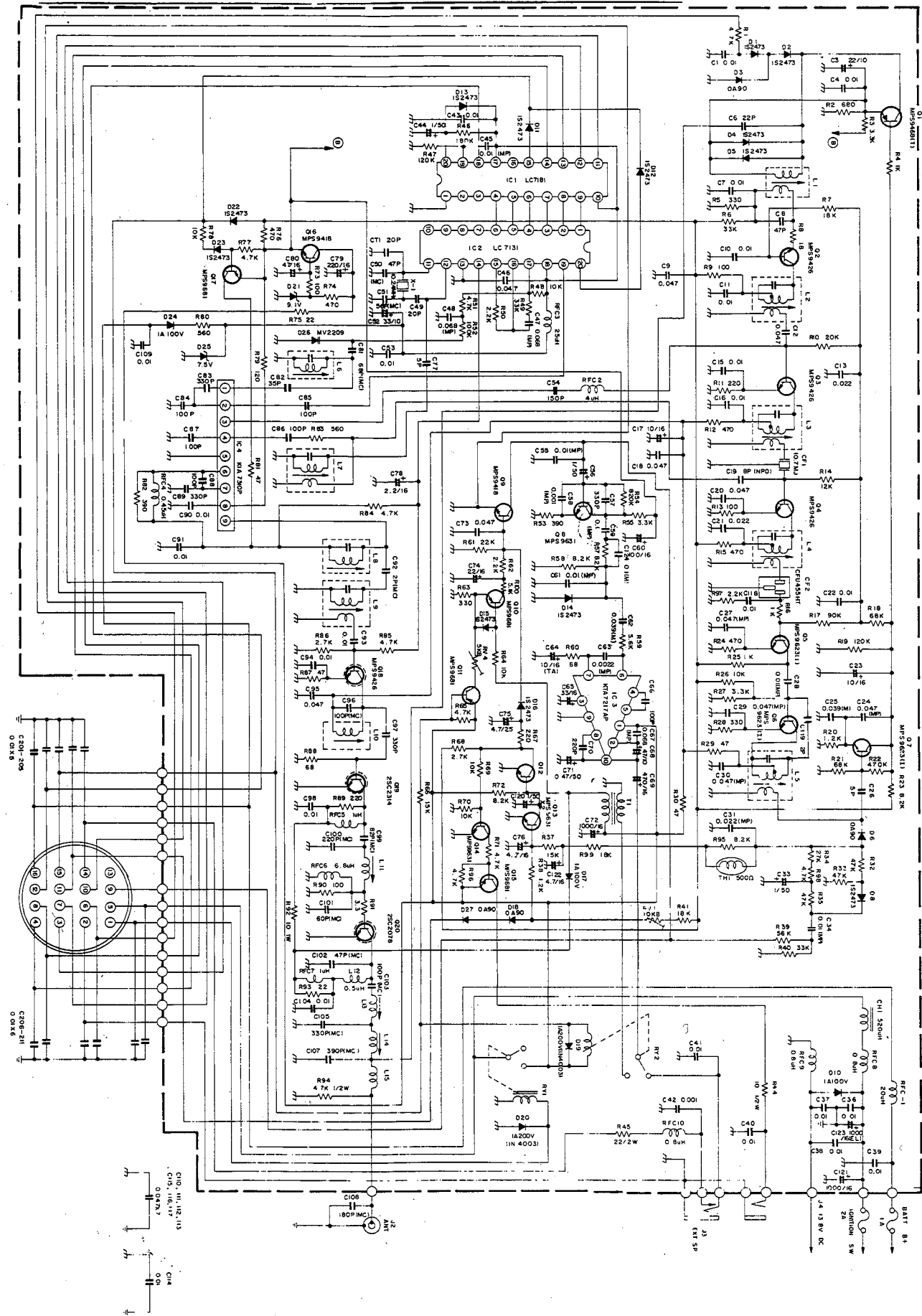
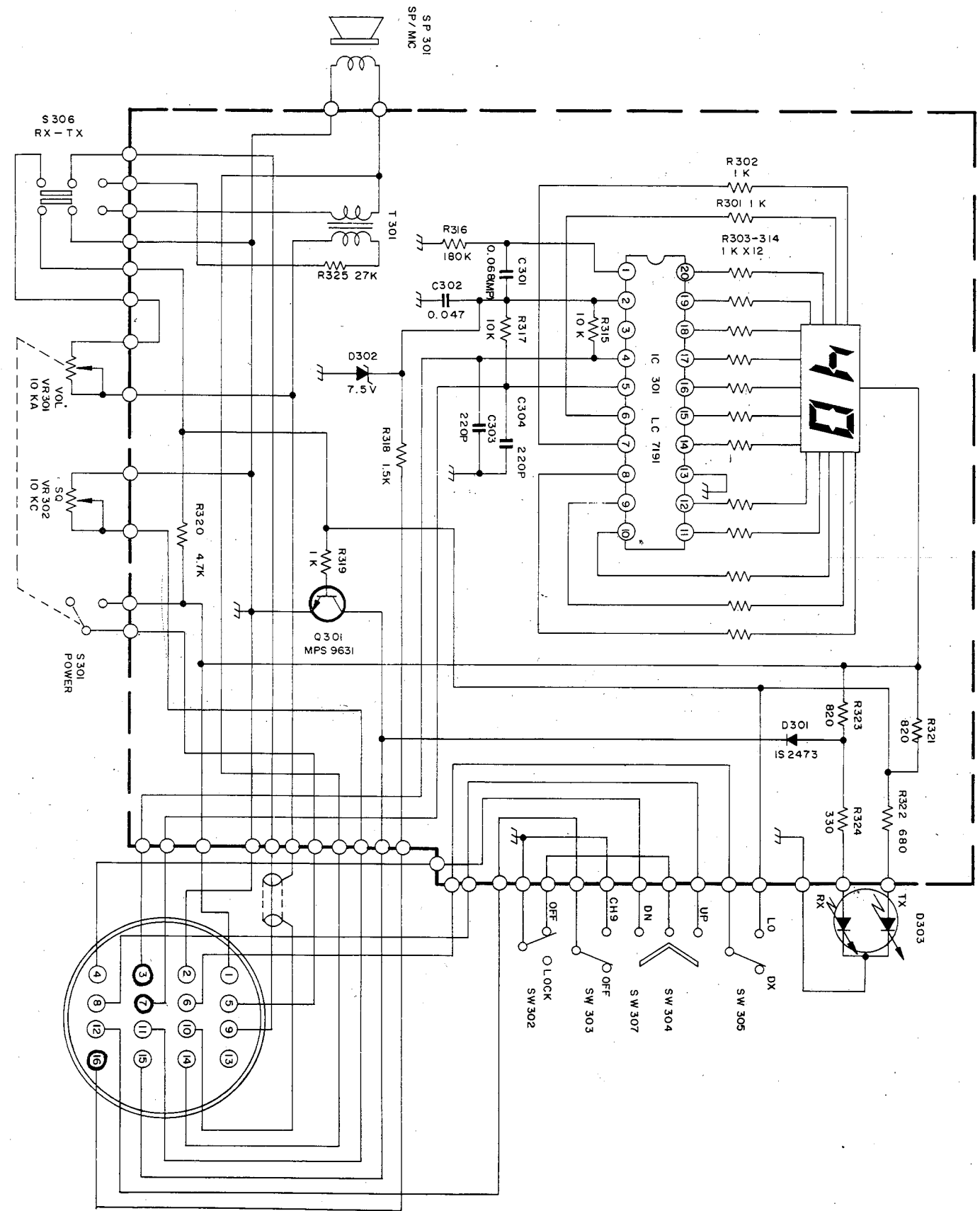


# Schematic (Base)



# Schematic (Remote)



# Block Diagram

