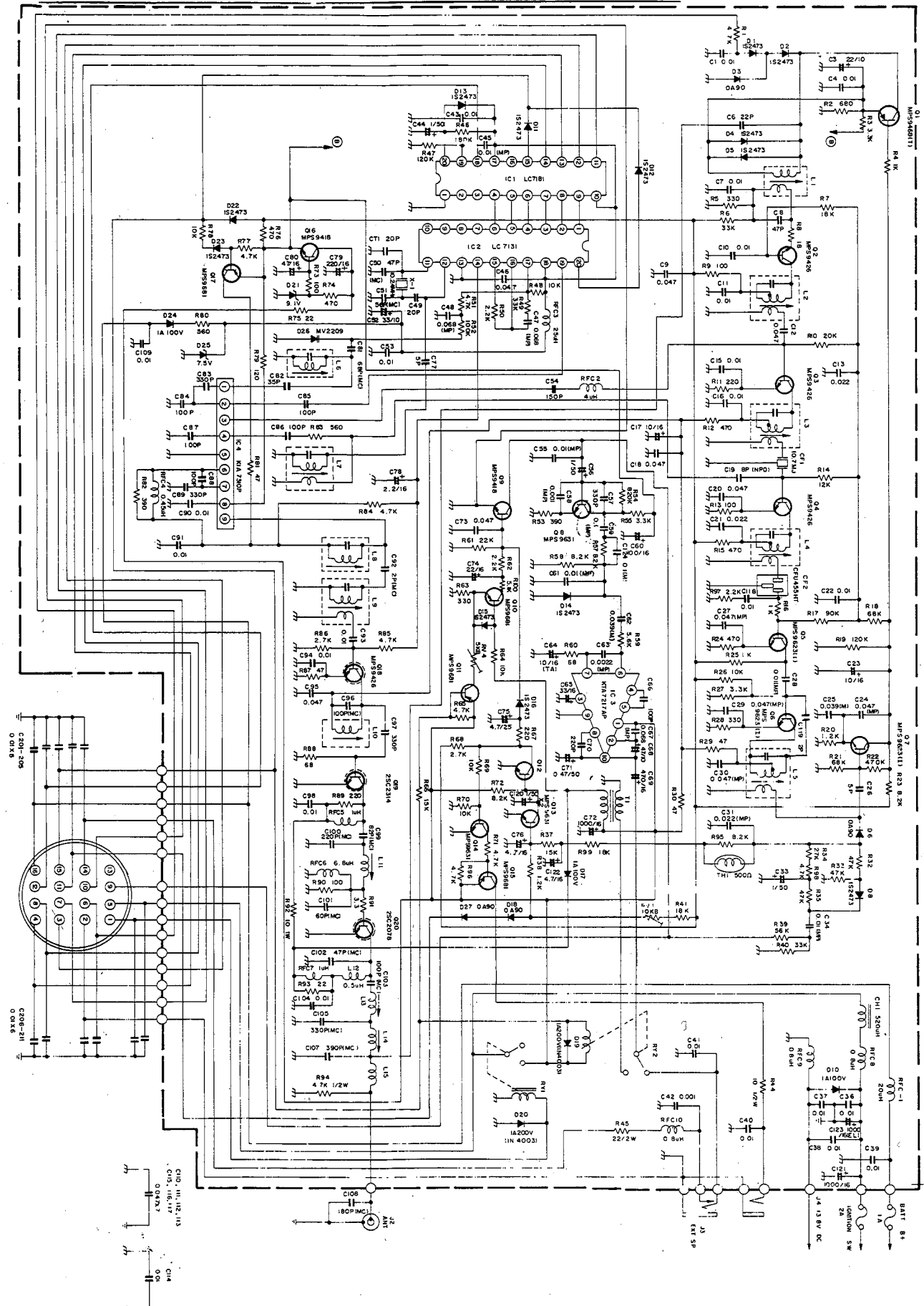
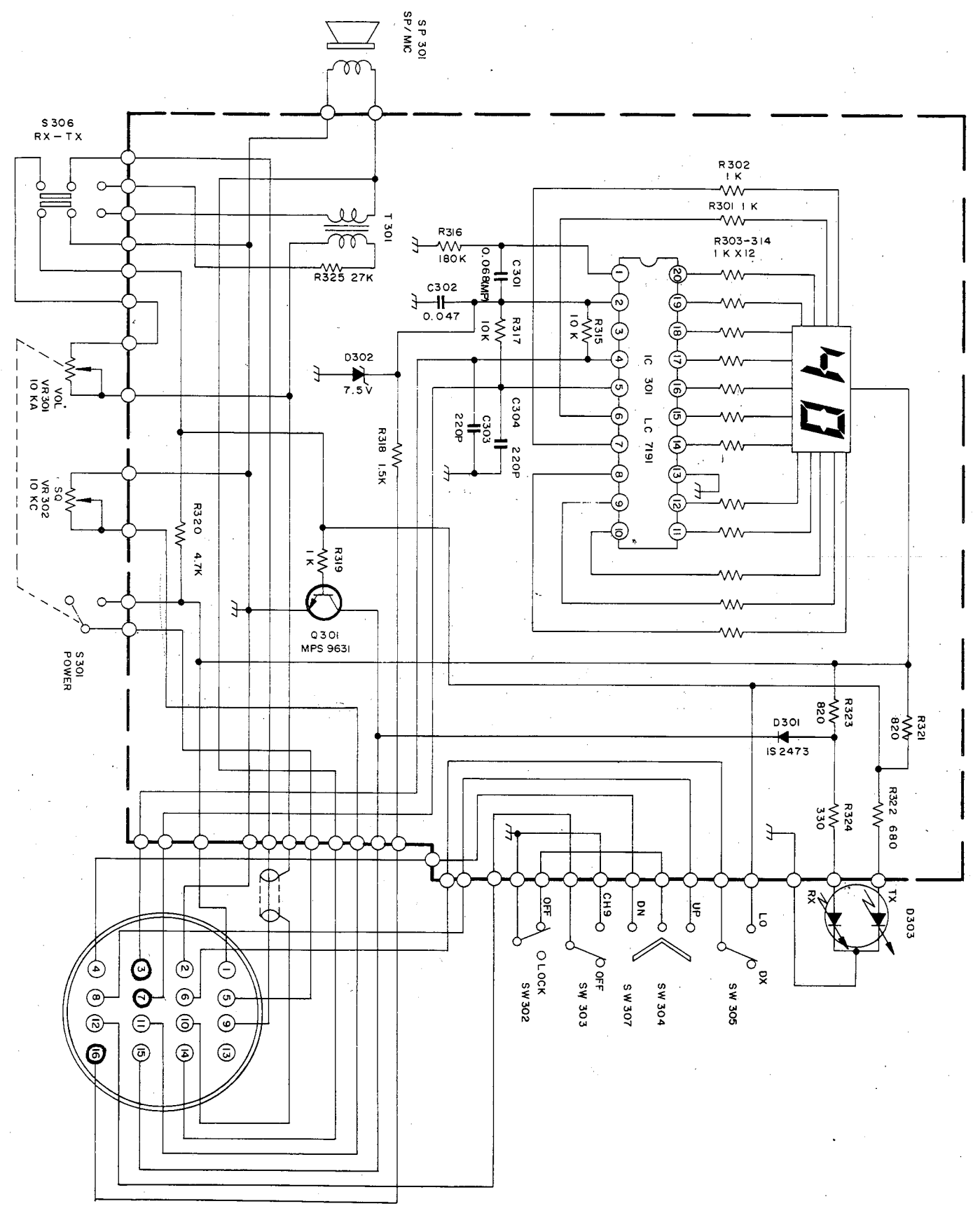


Schematic (Base)



Schematic (Remote)



Block Diagram

