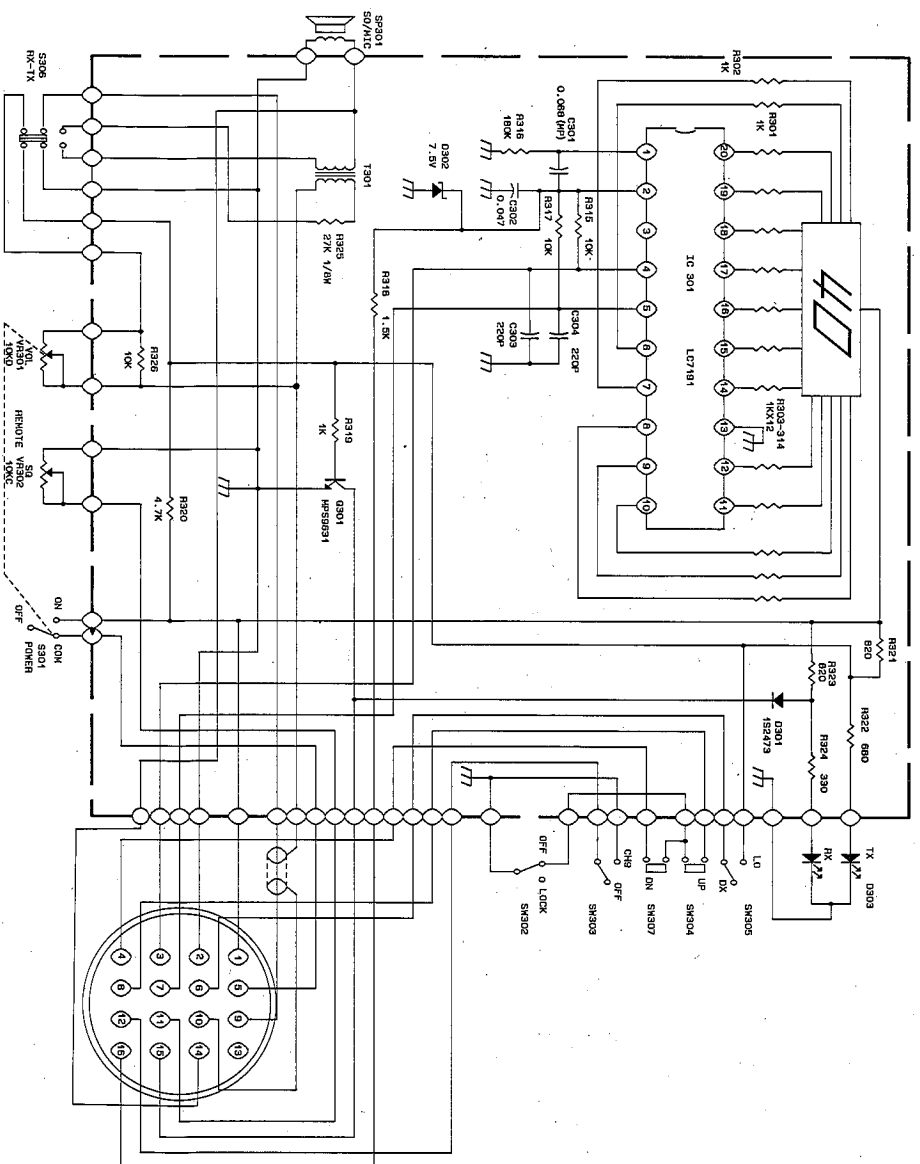
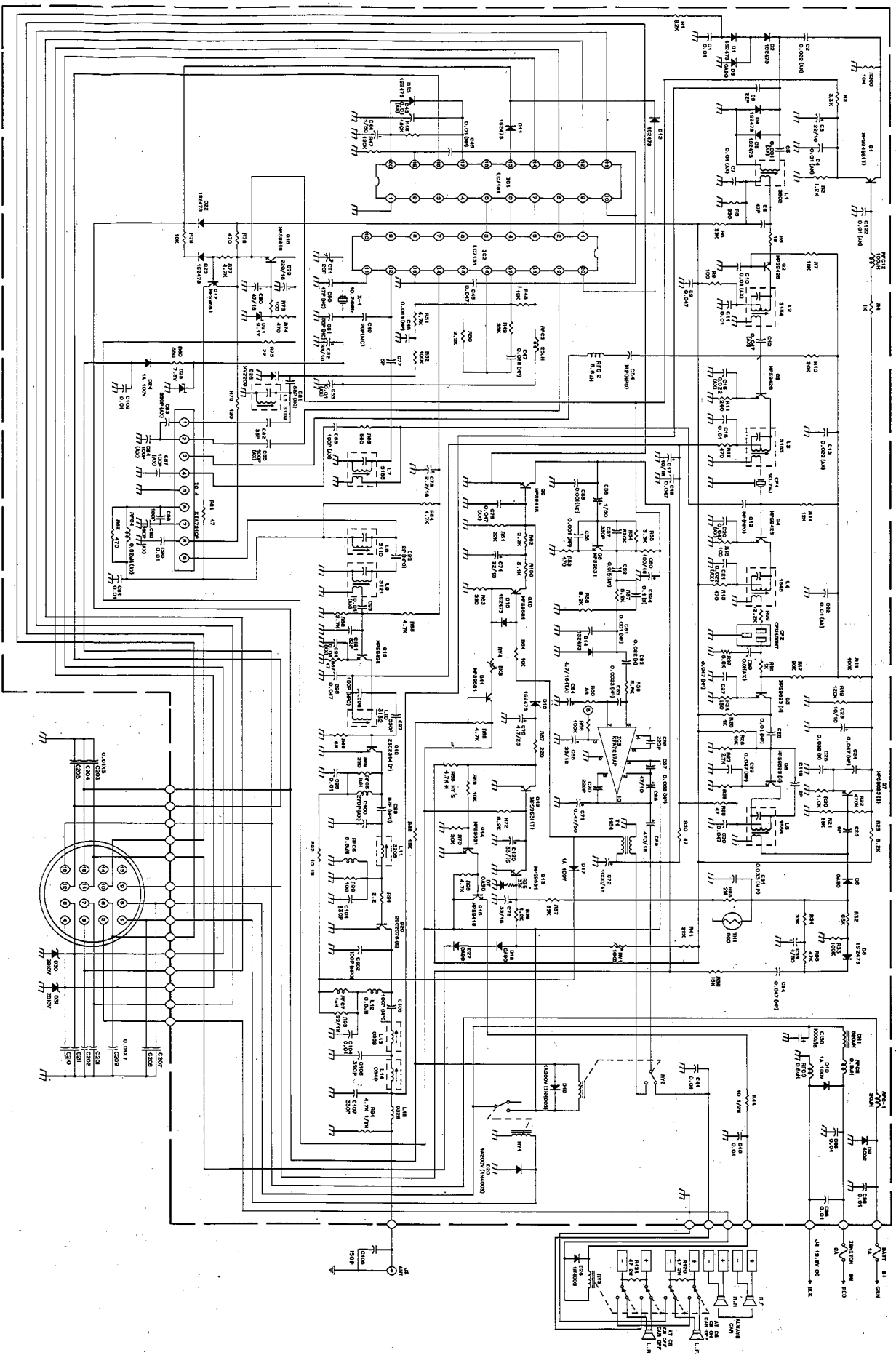


SCHEMATIC DIAGRAM



BILL OF MATERIAL FOR 71LTD

REFERENCE	PART NAME & DESCRIPTION	DYNASCAN P/N	REFERENCE	PART NAME & DESCRIPTION	DYNASCAN P/N	REFERENCE	PART NAME & DESCRIPTION	DYNASCAN P/N
MIC BKT MTG	Packing Ass'y		TH1	Thermistor 500 ohm				
SET BKT MTG	(+) Tapping Screw (B.H) 3x8-25 Zn-Plate		C71	Capacitor Elect 0.47F 50V SM(M):5x11				
MIC BKT MTG	(+) Tapping Screw (T.H) 4x12-2S BLK		C33,44,56,120	Capacitor Elect 1uF 50V SM(M):5x11				
SET BKT MTG	Washer (Lock "B" Type) M3 Zn-Plate		C17,23	Capacitor Elect 10uF 18V SMS(M):5x11				
	Washer (Lock "B" Type) M4 Zn-Plate		C60	Capacitor Elect 100uF 18V SMS(M):5x11.5				
	Bracket (MIC) SFC 58x41x1 Cr-Plate		C37,72,123,130	Capacitor Elect 1000uF 18V SMS(M):10x20				
	Hanger (SET MTG) PE BLK		C78	Capacitor Elect 2.2uF 50V SM(M):5x11				
	Wire Clamp (Cord) Nylon		C3,74	Capacitor Elect 22uF 16V SM(M):5x11				
	Box Inner SW1 326(W)x250(D)x75(H)		C79	Capacitor Elect 220uF 18V SMS(M):8x11.5				
	Box Out DW1 517(W)x335(D)x415(H)		C52,65,76	Capacitor Elect 33uF 16V SM(M):5x11				
	Box Snow Styrofoam 326(W)x250(D)x75(H)		C75	Capacitor Elect 4.7uF 50V SM(M):5x11				
	PAO Styrofoam 228x304x113		C68	Capacitor Elect 47uF 10V SM(M):5x11				
	Polybag P.P 100x150x0.05		C80	Capacitor Elect 47uF 16V SM(M):6.3x11				
	Polybag P.P 150x200x0.05		C69	Capacitor Elect 470uF 18V SMS(M):10x12.5				
	Polybag P.P 150x600x0.05		C124	Capacitor Mylar 0.1uF 50WV ±10% Mini Size				
	Polybag P.P 200x200x0.05		C52	Capacitor Mylar 0.022uF 50WV ±5% Mini Size				
	Polybag P.P 200x250x0.05		C42	Ceramic 0.001uF 50WVZ "F"				
	Manual Instruction			Ceramic 0.01uF 50WV (H) (B) 2 "F"				
	Card Warning		C1,11,16,36,38,39					
	Card Registration		40,41,90,91,98,104					
	Card Board		109,203,204,205,207					
	Schematic Diagram		208,209,210,211					
	Card Installation Paper 120x80		C5	Ceramic Axial 0.001uF:UPO50B102MK				
	Label Caution 2A Sticker 40x28x0.02		C4,7,10,22,43,53	Ceramic Axial 0.01uF:EP050Y103MM				
	Label Caution 1A PE 40x28		93,94,122					
	Label Wire Battery Paper 60x12		C2,13,15,21	Ceramic Axial 0.022uF:RH050F23Z				
	Label Wire Ground Paper 60x12		C9,19,30,46,95	Ceramic 0.047uF 50WV:M "X"				
	Label Wire to SW, ACC, Ter Paper 60x12		110,111,112,113,114					
	Label Radio Sticker Polyester 60x12		115,116,117,118,119					
	Label Speaker Sticker Polyester 60x12		131,132,133,134					
	Base Main Body Ass'y		C12,20,73					
	Ceramic 0.047uF 50WV:M "X"		C88	Ceramic Axial 0.047uF:UPO50F4732B				
	Ceramic 180pF 50WV:K "SL"		C96,102,103	Ceramic 100pF 50WV:K "SL"				
	Transistor 2SC2078(E)		C84,85,86,87	Ceramic 100pF 50WV:K "NPO"				
	Transistor 2SC214(F)		C54	Ceramic Axial 100pF:UPO50B101K				
	I.C KIA7217AP		C119	Ceramic Axial 150pF:UPO50B151K50				
	Jack Earphone SHO8394-01-110		C92	Ceramic 2pF 50WV:D "SL"				
	Earphone Jack SHO834-01-020		C6	Ceramic 22pF 50WV:K "SL"				
	Connector Plug SW-1456 FM-18P-R		C66	Ceramic 220pF 50WV:K "SL"				
	Connector CH-239(A) SW-1229		C70	Ceramic Axial 220pF:UPO50B221K				
	Mica (For T.R 2SC2078)		C100	Ceramic 270pF 50WV:K "SL"				
	Mica (For T.R 2SC2314)		C57,97,101,107	Ceramic 330pF 50WV:K "SL"				
	Mica (For I.C KIA7217AP)		C83,89	Ceramic Axial 330pF:UPO50B331K				
	Bushing (For T.R 2SC2078)		C82	Ceramic 35pF 50WV:K "SL"				
	Bushing (For I.C KIA7217AP)		C105	Ceramic 390pF 50WV:K "SL"				
	Line Cord Ass'y 1500 1SH SW-1458		C8	Ceramic 47pF 50WV:K "SL"				
	(+) Machine Screw (B.H) 3x8 BLK		C26,77	Capacitor Ceramic 5pF 50WV:D "SL"				
	(+) Tapping Screw (B.H) 3.5x6-2S BLK		C19	Ceramic 8pF 50WV:D "NPO"				
	(+) Tapping Screw (B.H) 3x6-2S BLK		C121	Ceramic 82pF 50WV:K "SL"				
	(+) Tap Title Screw (B.H) 3x6 BLK		C99	Ceramic 82pF 50WV:K "NPO"				
	Nut SS41 M3-1S Zn-Plate		C64	Capacitor Tantalum Radial 4.7uF:TA47M165CS				
	Washer (Spring) M3 Zn-Plate		C49	Capacitor Mica 20pF 50WV				
	Rivet Blind ALB #3.2		C60	Capacitor Mica 47pF 50WV				
	Body Front EGI t1 BLK Sandton		C51	Capacitor Mica 56pF 50WV				
	Cover Bottom SPC Vinyl Sheet 0.8 BLK		C81	Capacitor Mica 68pF 50WV				
	Cover Upper SPC Vinyl Sheet 0.8 BLK		CT1	Capacitor Trimmer 20pF:CTC-6U-020				
	Bracket SPC t1 BLK Sandton		C28,45	M.P Capacitor 0.01uF 50WV ±5%				
	Bracket (SET) SPC t1.6 BLK Sandton		C65,58,61	M.P Capacitor 0.001uF 50WV ±5%				
	Holder (ANT MTG) SPTE 29x35x0.3 Ni-Plate		C63	M.P Capacitor 0.0022uF 50WV ±5%				
	Heat Sink (IC MTG) ALP 30x18x12		C31,59	M.P Capacitor 0.022uF 50WV ±5%				
	Heat Sink ALP3 t2		C25	M.P Capacitor 0.039uF 50WV ±10%				
	Name Plate ALP3 22x38x0.4		C24,27,29,34	M.P Capacitor 0.047uF 50WV ±5%				
	Base Main PCB Ass'y		C47,48,67	M.P Capacitor 0.068uF 50WV ±10%				
	Resistor Metallfilm 100 ohm 1/8W ±5% "S"		Q2,3,4,18	Transistor MPS9426(C)				
	Resistor Metallfilm 1k ohm 1/8W ±5% "S"		Q10,11,17	Transistor MPS9418(T)				
	Resistor Metallfilm 10k ohm 1/8W ±5% "S"		Q9,15,16	Transistor MPS9623(H)				
	Resistor Metallfilm 100k ohm 1/8W ±5% "S"		Q5,6	Transistor MPS9623(I)				
	Resistor Metallfilm 10M ohm 1/8W ±5% "S"		Q7	Transistor MPS9631(I)				
	Resistor Metallfilm 1.2k ohm 1/8W ±5% "S"		Q8,12,13,14	Transistor MPS9468A(T)				
	Resistor Metallfilm 12k ohm 1/8W ±5% "S"		Q1	I.C TA7310P				
	Resistor Metallfilm 120k ohm 1/8W ±5% "S"		IC4	I.C LC7131				
	Resistor Metallfilm 150 ohm 1/8W ±5% "S"		IC2	I.C LC7181				
	Resistor Metallfilm 15k ohm 1/8W ±5% "S"		IC1	Diode Zener 7.5V				
	Resistor Metallfilm 18 ohm 1/8W ±5% "S"		D25	Diode Zener UZ9.1B				
	Resistor Metallfilm 18k ohm 1/8W ±5% "S"		D21	Diode Varicap MV2209				
	Resistor Metallfilm 180k ohm 1/8W ±5% "S"		D26	Diode SI 1S2473				
	Resistor Metallfilm 20k ohm 1/8W ±5% "S"		D4,5,6,11,12,13					
	Resistor Metallfilm 22 ohm 1/8W ±5% "S"		14,15,16					
	Resistor Metallfilm 220 ohm 1/8W ±5% "S"		D1,2,22,23	Diode 1S2473 "F" Type				
	Resistor Metallfilm 2.2k ohm 1/8W ±5% "S"		D3,6,7,16,27	Diode SE OA90				
	Resistor Metallfilm 2.2 ohm 1/8W ±5% "S"		D9,10,17,24,28,29	Diode SI 1N4002				
	Resistor Metallfilm 240 ohm 1/8W ±5% "S"		D19,20	Diode SI 1N4003 (1A 200V)				
	Resistor Metallfilm 2.4k ohm 1/8W ±5% "S"		X1	Crystal 10.240MHz HC-18/U				
	Resistor Metallfilm 24 ohm 1/8W ±5% "S"		CF2	Ceramic Filter CFU 455HT				
	Resistor Metallfilm 240 ohm 1/8W ±5% "S"		CF1	Ceramic Filter SFE 10.7MJ-M				
	Resistor Metallfilm 2.7k ohm 1/8W ±5% "S"		CH1	Transformer Choke				
	Resistor Metallfilm 330 ohm 1/8W ±5% "S"		T1	Transformer OPT EI-24				
	Resistor Metallfilm 3.3k ohm 1/8W ±5% "S"		RFC5	Coil Choke 1uH Bobbin				
	Resistor Metallfilm 33k ohm 1/8W ±5% "S"		RFC7	Coil Choke 1uH Resistor Type				
	Resistor Metallfilm 390 ohm 1/8W ±5% "S"		RFC1	Coil RF Choke 20uH Core				
	Resistor Metallfilm 47 ohm 1/8W ±5% "S"		L12	Coil RF Choke 0.5uH Spring				
	Resistor Metallfilm 470 ohm 1/8W ±5% "S"		RFC8,9	Coil RF Choke 0.8uH Spring				
	Resistor Metallfilm 4.7k ohm 1/8W ±5% "S"		RFC3	Inductor 25uH Mold Type				
	Resistor Metallfilm 47k ohm 1/8W ±5% "S"		RFC4	Inductor 0.45uH Mold Type				
	Resistor Metallfilm 470k ohm 1/8W ±5% "S"		RFC2	Coil Choke 4uH Bobbin Type				
	Resistor Metallfilm 5.1k ohm 1/8W ±5% "S"		RFC12	Coil Axial LAL04TB101K:100uH				
	Resistor Metallfilm 560 ohm 1/8W ±5% "S"		RFC6	Coil Axial LAL03TB88BK:6.8uH				
	Resistor Metallfilm 5.6k ohm 1/8W ±5% "S"		L15	Coil AM TX ANT 27MHz A				
	Resistor Metallfilm 56k ohm 1/8W ±5% "S"		L13	Coil AM TX ANT 27MHz B				
	Resistor Metallfilm 68 ohm 1/8W ±5% "S"		L14	Coil AM IFT 27MHz TX ANT Tuning-C				
	Resistor Metallfilm 68k ohm 1/8W ±5% "S"		L5	Coil IFT 455kHz-A				
	Resistor Metallfilm 8.2k ohm 1/8W ±5% "S"		L6	Coil IFT 455kHz-B				
	Resistor Metallfilm 82k ohm 1/8W ±5% "S"		L8	IFT VCO OSC				
	Resistor Metallfilm 82 ohm 1/8W ±5% "S"		L9	IFT 27MHz RF AMP-A				
	Resistor Metallfilm 820k ohm 1/8W ±5% "S"		L10	IFT AM AMP 27MHz C				
	Resistor Metallfilm 90k ohm 1/8W ±5% "S"		L2	IFT 27MHz TX RF PRE AMP				
	Resistor Metaloxide 10 ohm 1W ±5%		L3,7	27MHz RF AMP (RX)				
	Resistor Metaloxide 22 ohm 2W ±5%		L11	Coil RF 10.6MHz O3202926ER(RX)				
	Resistor Metallfilm 10 ohm 1/2W ±5% "S"		L1	27MHz RF-C (TX)				
	Resistor Metallfilm 4.7k ohm 1/2W ±5% "S"			27MHz RX ANT A				
	Resistor Solid RSI-1 22 ohm 1W ±5% "S"			PCB Ass'y 187x98x1.6t				
	Resistor Semifixed 10K "H":RVM083H			P.C.B SUB 98x46x1.6t				
	Resistor Semifixed 5k ohm "H":RVM083H			P.C.B Main 150x98x1.6t				
				Relay MZ-12HS				
				Relay SF4T12A				
				Waffer 53014-0610 2MM Pitch				
				Waffer 53014-0910 2MM Pitch				