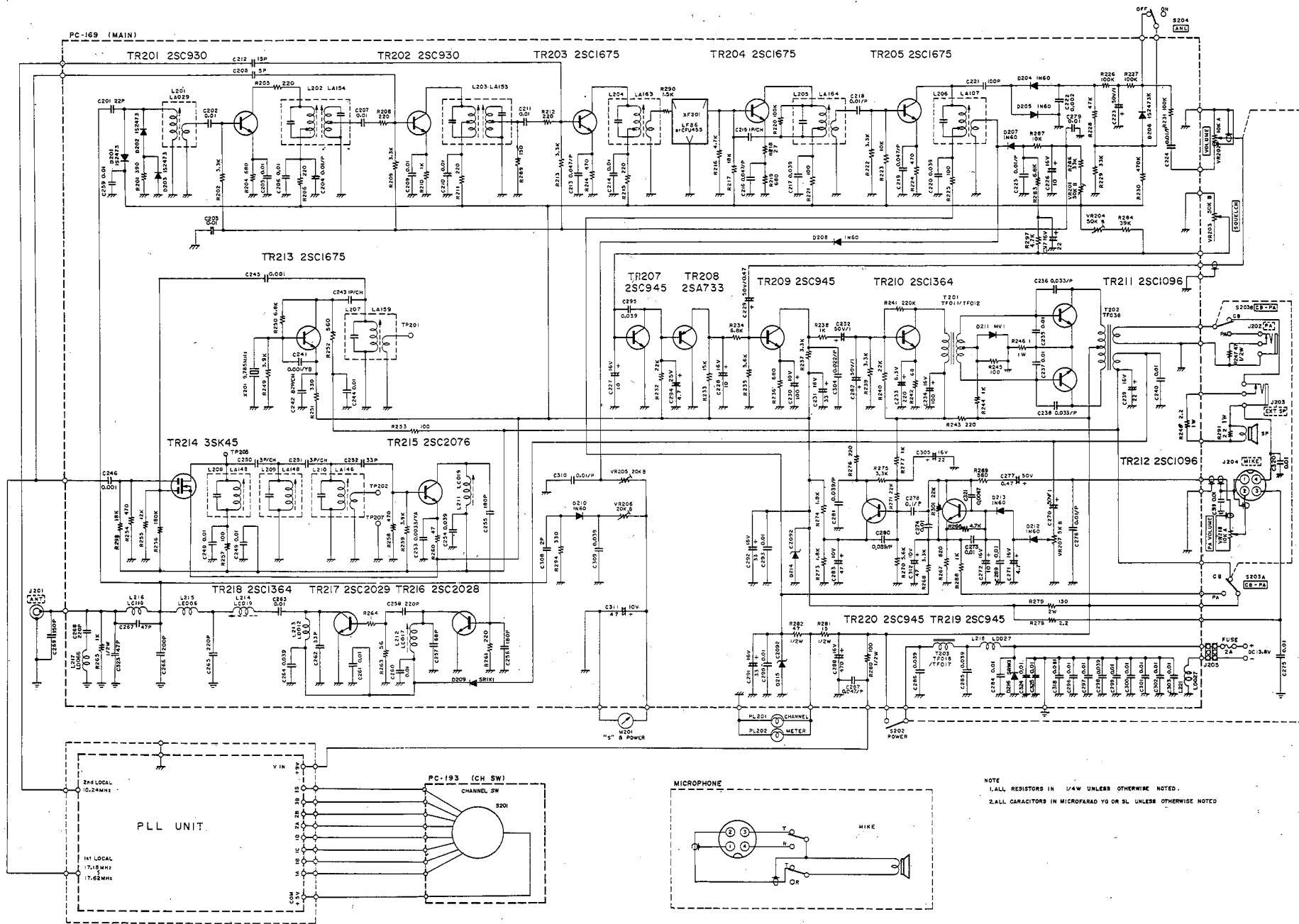
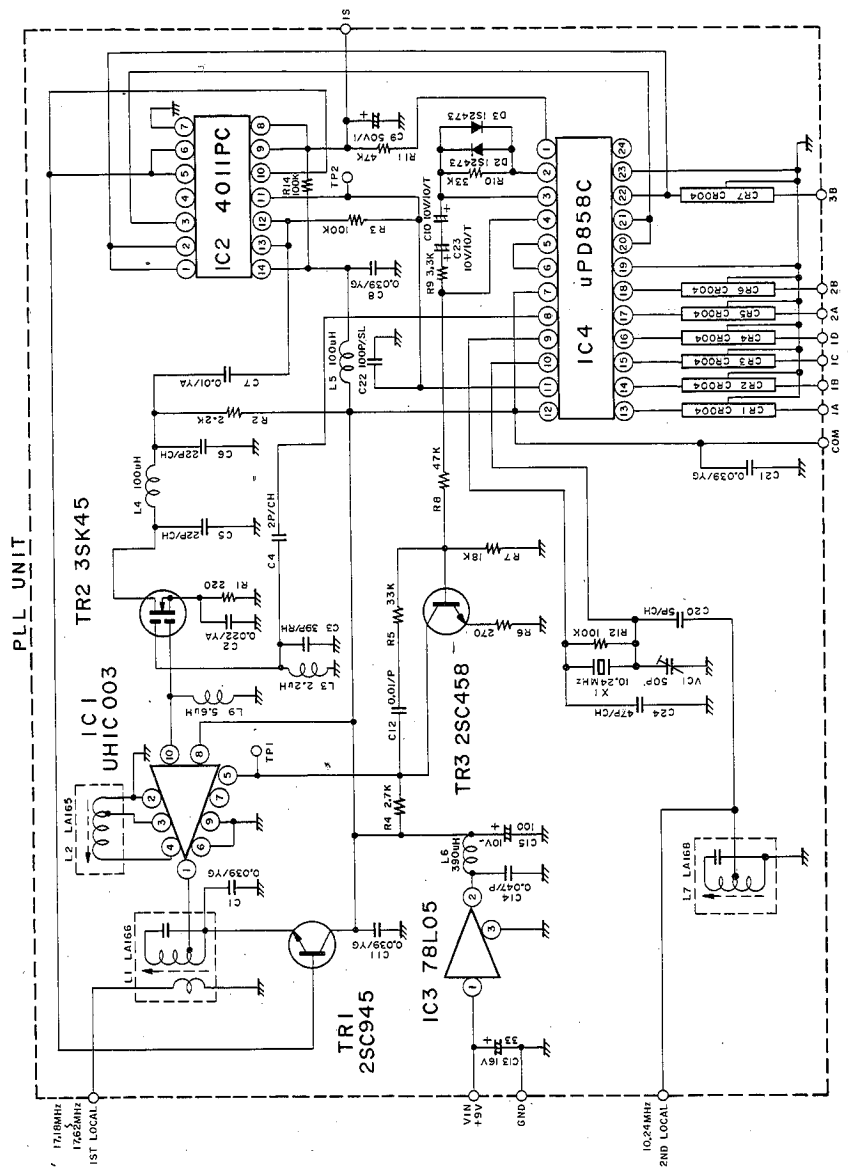


MAIN CIRCUIT DIAGRAM FOR COBRA 77X



PLL UNIT CIRCUIT DIAGRAM FOR COBRA 77X



NOTE
 1. ALL RESISTORS IN 1/4W UNLESS OTHERWISE NOTED.
 2. ALL CAPACITORS IN MICROFARAD YG OR SL UNLESS OTHERWISE NOTED.

BILL OF MATERIAL FOR COBRA 77X

CIRCUIT SYMBOL

DESCRIPTION

PART NO.

CIRCUIT SYMBOL

TRANSISTORS, FET, IC, & DIODES

PART NO.

TR-208	Transistor 25A173-0	172-018-9-001
TR-209	Transistor 25C458-B	176-046-9-002
TR-201,202	Transistor 25C930-P	176-060-9-001
TR-207,209,219,220	Transistor 25C945A-P	176-060-9-003
TR-211,212	Transistor 25C1106-4ZL	172-038-9-003
TR-210	Transistor 25C1364-F	176-054-9-001
TR-203,204,206,213	Transistor 25C1675-M	176-060-9-002
TR-216	Transistor 25C2028-B/20	172-038-9-001
TR-217	Transistor 25C2029-B/10	172-038-9-002
TR-215	Transistor 25C2076-CB	176-060-9-004
R-214,2	FET 35K45-B	182-038-9-001

IC-1	Integrated Circuit UHC-003	307-108-9-001
IC-2	Integrated Circuit 4011-PC	307-095-9-002
IC-3	Integrated Circuit 78L05-AV	307-095-9-003
IC-4	Integrated Circuit UPD858C	307-095-9-004
D-204,205,207,208,210,212,213	Diode IN-60AM	160-014-9-001
D-206	Diode (Forming) IS2473	151-059-9-001
D-208,216	Diode SR1K-1	151-040-9-003
D-214,215	Zener Diode CZ-092	152-051-9-001
D-211	Varistor MV-1	151-049-9-002

L-201	Coil LA-029	066-017-9-001
L-206	Coil LA-107	060-022-9-003
L-208	Coil LA-146	066-025-9-004
L-209	Coil LA-148	066-025-9-002
L-208,209	Coil LA-149	066-025-9-002
L-203	Coil LA-152	066-025-9-001
L-207	Coil LA-159	066-025-9-003
L-204	Coil LA-163	060-022-9-001
L-205	Coil LA-164	060-022-9-002
L-1	Coil LA-165	066-025-9-005
L-2	Coil LA-168	044-039-9-002
L-7	Coil LA-177	066-025-9-006
L-212	Coil LC-017	044-028-9-004
L-211,214	Coil LC-019	044-028-9-002
L-216	Coil LC-110	041-078-9-001
L-213	Coil LD-012	044-028-9-003
L-218,221	Coil LD-027	042-011-9-001
L-217	Coil LD-066	042-019-9-001
L-215	Coil LE-006	044-028-9-001
L-3	Micro Inductor LF-1	041-056-9-002
L-4,5	Micro Inductor LF-1	041-078-9-002
L-6	Micro Inductor LF-1	041-078-9-003
L-9	Micro Inductor LF-4	041-078-9-004

R-223	Carbon Film Resistor 10K ohm	1/4W J	002-104-5-103
R-255	Carbon Film Resistor 12K ohm	1/4W J	002-104-5-123
R-233	Carbon Film Resistor 15K ohm	1/4W J	002-104-5-133
R-7,217,293	Carbon Film Resistor 18K ohm	1/4W J	002-104-5-183
R-301,240,271	Carbon Film Resistor 22K ohm	1/4W J	002-104-5-223
R-284	Carbon Film Resistor 22K ohm	1/4W J	002-104-5-223
R-286,229,5,10	Carbon Film Resistor 33K ohm	1/4W J	002-104-5-333
R-282,8,11	Carbon Film Resistor 33K ohm	1/4W J	002-104-5-333
R-3,12,14,220,226,227,231	Carbon Film Resistor 47K ohm	1/4W J	002-104-5-473
R-256	Carbon Film Resistor 180K ohm	1/4W J	002-104-5-184
R-241	Carbon Film Resistor 220K ohm	1/4W J	002-104-5-224
R-230	Carbon Film Resistor 470K ohm	1/4W J	002-104-5-474

C-228,277	Capacitor, Electrolytic	0.47uF	50V	022-157-9-001
C-223,232,282,270	Capacitor, Electrolytic	1uF	50V	022-157-9-002
C-271,294	Capacitor, Electrolytic	4.7uF	50V	022-157-9-003
C-276,227,228,272	Capacitor, Electrolytic	10uF	16V	022-157-9-006
C-238,305,317	Capacitor, Electrolytic	22uF	16V	022-157-9-005
C-231,291,292,13	Capacitor, Electrolytic	33uF	16V	022-157-9-007
C-283,311,312	Capacitor, Electrolytic	47uF	10V	022-157-9-008
C-230,15	Capacitor, Electrolytic	100uF	10V	022-157-9-008
C-234	Capacitor, Electrolytic	100uF	18V	022-157-9-010
C-233	Capacitor, Electrolytic	220uF	63V	022-157-9-011
C-288	Tantalum Capacitor	470uF	18V	027-025-9-001
C-10,23	Ceramic Capacitor	10uF	50V C	020-180-9-001
C-19,243	Ceramic Capacitor	1uF	50V C	020-180-9-002
C-590,251	Ceramic Capacitor	3uF	50V C	020-180-9-003
C-20	Ceramic Capacitor	5uF	50V C	020-180-9-004
C-5,6	Ceramic Capacitor	22uF	50V K	020-180-9-005
C-24	Ceramic Capacitor	47uF	50V K	020-180-9-006
C-242	Ceramic Capacitor	82uF	50V K	020-180-9-007
C-308	Ceramic Capacitor	20uF	50V C	020-180-9-008
C-208	Ceramic Capacitor	50uF	50V C	020-180-9-009
C-212	Ceramic Capacitor	150uF	50V C	020-180-9-010
C-201	Ceramic Capacitor	22uF	50V K	020-180-9-011
C-252,252	Ceramic Capacitor	33uF	50V K	020-180-9-012
C-263,323	Ceramic Capacitor	47uF	50V K	020-180-9-014
C-257	Ceramic Capacitor	150uF	50V K	020-180-9-015
C-22,221	Ceramic Capacitor	68uF	50V K	020-180-9-016
C-2,66	Ceramic Capacitor	100uF	50V K	020-180-9-017
C-255,256,268	Ceramic Capacitor	200uF	50V K	020-180-9-018
C-245,246,318	Ceramic Capacitor	180uF	50V K	020-180-9-019
C-222	Ceramic Capacitor	220uF	25V YG	020-180-9-020
C-321	Ceramic Capacitor	0.0022uF	25V YG	020-180-9-021
C-320	Ceramic Capacitor	0.0047uF	25V YG	020-180-9-022
C-320,324,325,202,261,263,273,274,284,289,290,293,296,297,299,203,205,206,207,209,210,211,214,235,237,240,244,246,249,250	Ceramic Capacitor	0.01uF	25V Z YG	020-180-9-023

CIRCUIT SYMBOL

COILS & TRANSFORMERS (Continued)

PART NO.

T-203	Transformer	TF-017	044-028-9-006
T-201	Input Transformer	TF-011	061-022-9-001
T-202	Output Transformer	TF-038	061-022-9-002

VR-206,206	Variable Resistor	RV-103 20K	008-209-9-010
VR-201,204	Variable Resistor	RV-103 50K	008-209-9-008
VR-207	Semi-fixed Resistor	RV-102 5K	008-284-9-001
VR-208	Variable Resistor	RV-056 10K-A	008-187-9-002
VR-202	Variable Resistor	RV-027 10K-A	008-187-9-001
VR-203	Variable Resistor	RV-071 50K	008-227-9-003

R-246	Metalized Resistor	1 ohm	1W	013-002-9-002
R-248	Metalized Resistor	2.2 ohm	1W	013-011-9-001
R-291	Metalized Resistor	22 ohm	1W	013-011-9-002
R-279	Metalized Resistor	150 ohm	1W	013-011-9-003
R-281	Car Comp. Resistor	15 ohm	1/2W	001-102-5-150
R-282,247	Car Comp. Resistor	47 ohm	1/2W	001-102-5-470
R-280	Car Comp. Resistor	100 ohm	1/2W	001-102-5-101
R-285	Car Comp. Resistor	1K ohm	1/2W	001-102-5-102
R-287	Carbon Film Resistor	4.7K ohm	1/4W	002-104-5-472
R-283	Carbon Film Resistor	6.8K ohm	1/4W	002-104-5-682
R-284	Carbon Film Resistor	10K ohm	1/4W	002-104-5-103
R-232	Carbon Film Resistor	22K ohm	1/4W	002-104-5-223
R-264	Carbon Film Resistor	1 ohm	1/4W	002-104-5-101
R-278	Carbon Film Resistor	2.2 ohm	1/4W	002-104-5-228
R-275	Carbon Film Resistor	2.2 ohm	1/4W	002-104-5-229
R-276	Carbon Film Resistor	3.3K ohm	1/4W	002-104-5-332
R-216	Carbon Film Resistor	2uF ohm	1/4W	002-104-5-392
R-252,259	Carbon Film Resistor	3.9K ohm	1/4W	002-104-5-392
R-216,266	Carbon Film Resistor	4.7K ohm	1/4W	002-104-5-392
R-235,270	Carbon Film Resistor	5.6K ohm	1/4W	002-104-5-662
R-250,234	Carbon Film Resistor	6.8K ohm	1/4W	002-104-5-682

C-300,301,302,303,279,258,275,310	Ceramic Capacitor	0.039uF	25V Z YG	020-180-9-024
C-217,220,254,264,1,8,11,21,293,285,286,309,298				
C-241	Ceramic Capacitor	0.001uF	50V YB	020-180-9-025
C-283	Ceramic Capacitor	0.003uF	50V YA	020-180-9-026
C-7	Ceramic Capacitor	0.01uF	50V YA	020-180-9-027
C-2	Ceramic Capacitor	0.022uF	50V YA	020-180-9-028
C-3	Ceramic Capacitor	0.022uF	50V YA	020-180-9-028
C-278	Mylar Capacitor	39uF	50V	020-180-9-029
C-12,224,204,218,225,276,310	Mylar Capacitor	0.1uF	50V K	025-121-9-002
C-304	Mylar Capacitor	0.022uF	50V K	025-121-9-003
C-236,238	Mylar Capacitor	0.033uF	50V K	025-121-9-004
C-280,281	Mylar Capacitor	0.039uF	50V K	025-121-9-005
C-213,216,219,287,14	Mylar Capacitor	0.047uF	50V K	025-121-9-006
VC-1	Variable Condenser	50uF	CV-024	028-036-9-001
CH-1,2,3,4,5,6,7	Composite Parts	HA-002, CH-004		523-162-9-001

XE-201	Ceramic Filter	F.L-019	LF-86	140-015-9-001
X-201	Relay Switch	SW-054		082-224-9-001
X-201	Slide Switch	SR-003		084-051-9-001
MT-016	Microphone	MT-016		320-078-9-001
MS-046	Microphone	MS-046		562-006-9-001
JK-052	Jack (Female)	JK-052		773-079-9-002
JK-010	Jack (Female)	JK-010		773-079-9-003
JK-028	Jack (Male/conn)	JK-028		773-072-9-001
PG-016	Plug	PG-016		773-072-9-001
TP-207	Check Terminal	TP-207		757-032-9-001
TP-203,201,202,202	Check Terminal	TP-203,201,202		345-041-9-001
TP-201	Check Terminal	TP-201		400-035-9-004
PI-201	Pilot Lamp (Red)	PI-201		400-046-9-001
FS-001	Fuse	FS-001	2A	191-251-9-002
YY-047	Wire Clamp	YY-047		380-278-9-001
YD-003,001	Insulator	YD-003,001		347-073-9-001
YD-024	Insulator	YD-024		347-073-9-002
TR-026	Chassis	TR-026		757-035-9-001
SPCC	Chassis	SPCC		257-083-9-001
Case (Upper)	Case (Upper)			272-112-9-001
Case (Lower)	Case (Lower)			272-113-9-001
Bracket	Bracket			251-187-9-001
Heat sink	Heat sink	SPCC		747-304-9-001