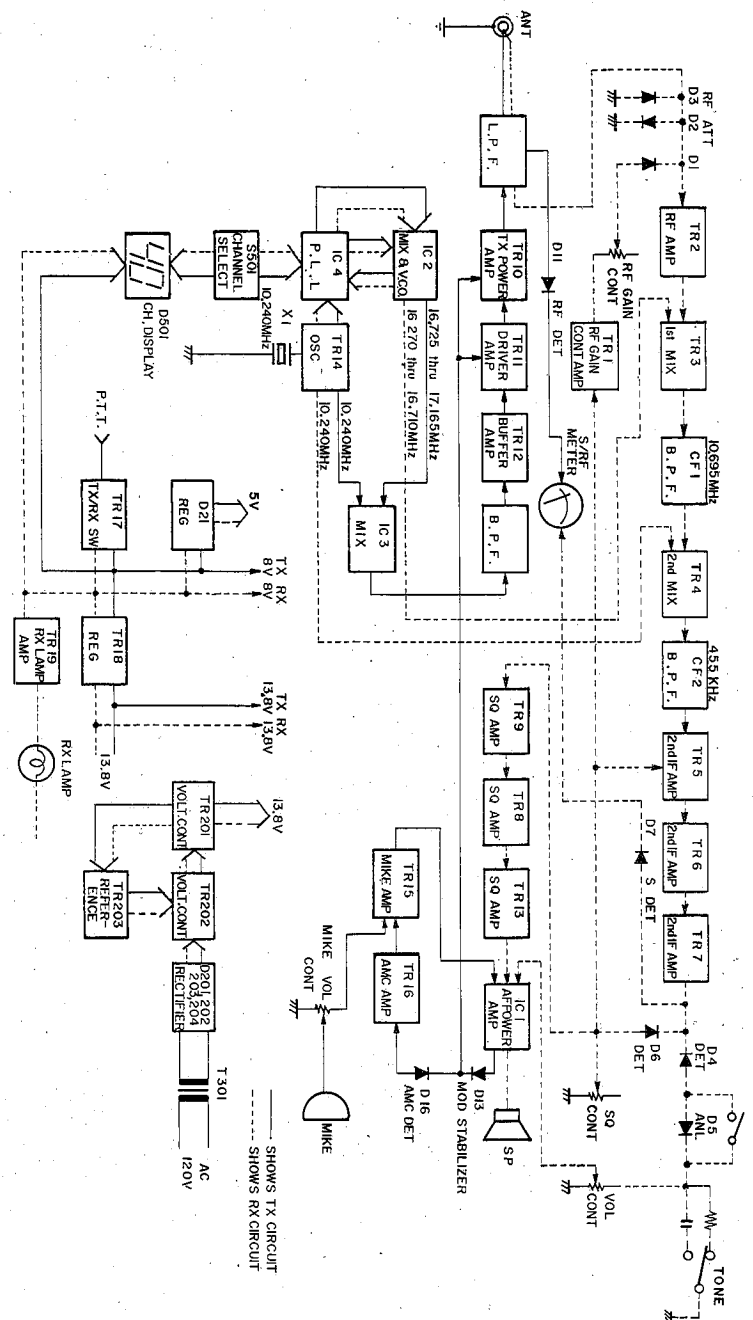
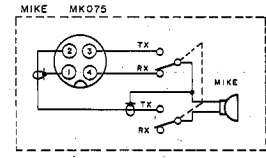
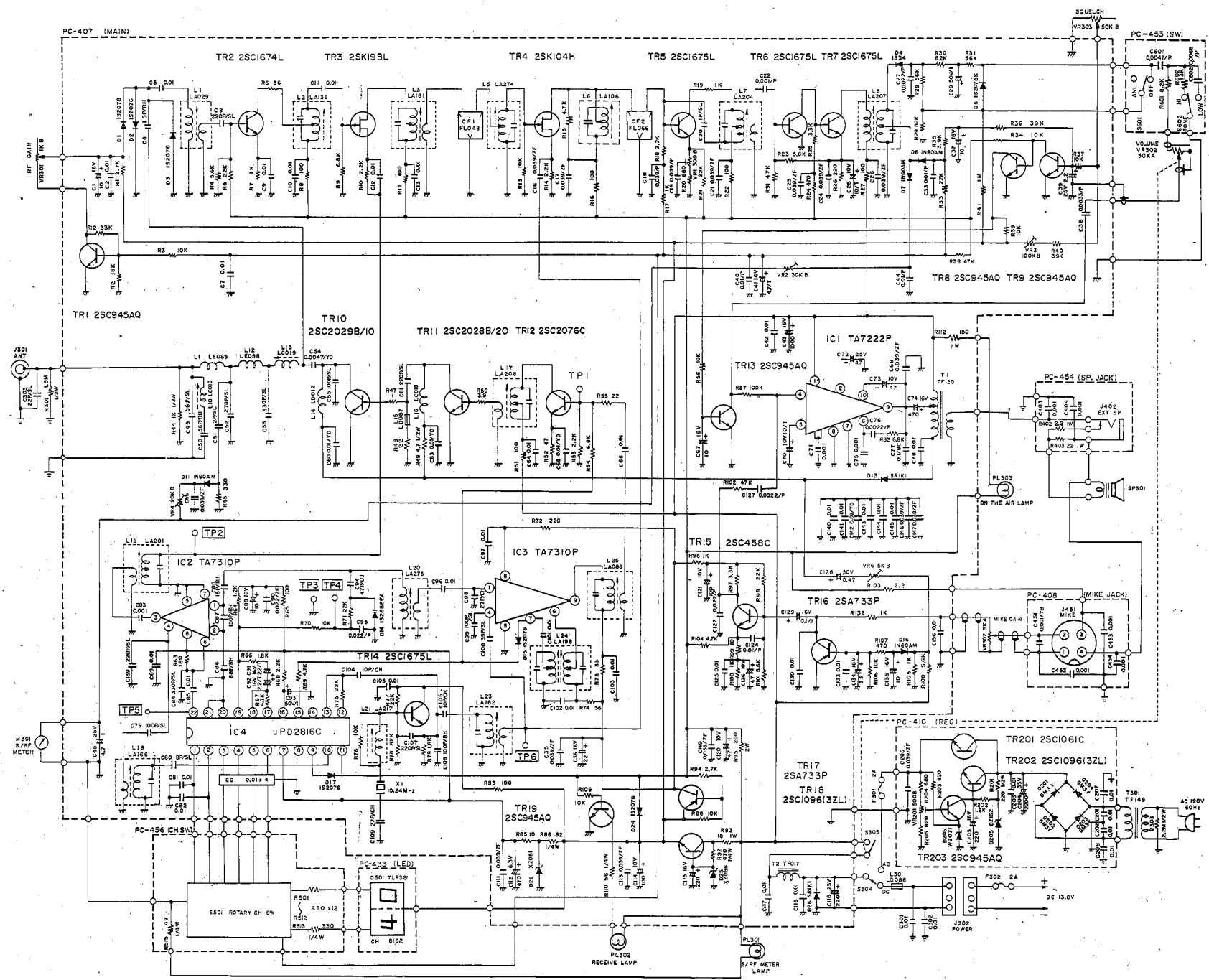


CIRCUIT DIAGRAM FOR COBRA 87GTL



BLOCK DIAGRAM FOR COBRA 87GTL



- NOTES:**
- RESISTANCE VALUES ARE SHOWN IN OHMS UNLESS OTHERWISE NOTED. (K=KILO OHM M=MEG OHM)
 - RESISTOR WATTAGES ARE 1/8W UNLESS OTHERWISE SPECIFIED.
 - CAPACITANCE VALUES ARE INDICATED IN MICROFARADS UNLESS OTHERWISE SPECIFIED. (P=PICTO-MICROFARAD)
 - ALL CAPACITORS TEMPERATURE CHARACTERISTICS ARE Y5P UNLESS OTHERWISE NOTED.

BILL OF MATERIAL FOR COBRA 87GTL

Table with columns: CIRCUIT SYMBOL, DESCRIPTION, DYNASCAN PART NO. Includes SEMICONDUCTORS and INDUCTORS sections.

Table with columns: CIRCUIT SYMBOL, DESCRIPTION, DYNASCAN PART NO. Includes INDUCTORS (Continued) and FIXED RESISTORS sections.

Table with columns: CIRCUIT SYMBOL, DESCRIPTION, DYNASCAN PART NO. Includes FIXED RESISTORS (Continued) and CAPACITORS sections.

Table with columns: CIRCUIT SYMBOL, DESCRIPTION, DYNASCAN PART NO. Includes CAPACITORS (Continued) and CRYSTAL sections.

Table with columns: CIRCUIT SYMBOL, DESCRIPTION, DYNASCAN PART NO. Includes MISCELLANEOUS (Continued) section.

Table with columns: CIRCUIT SYMBOL, DESCRIPTION, DYNASCAN PART NO. Includes MISCELLANEOUS (Continued) section.