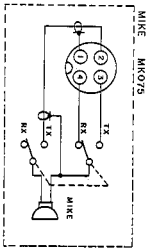
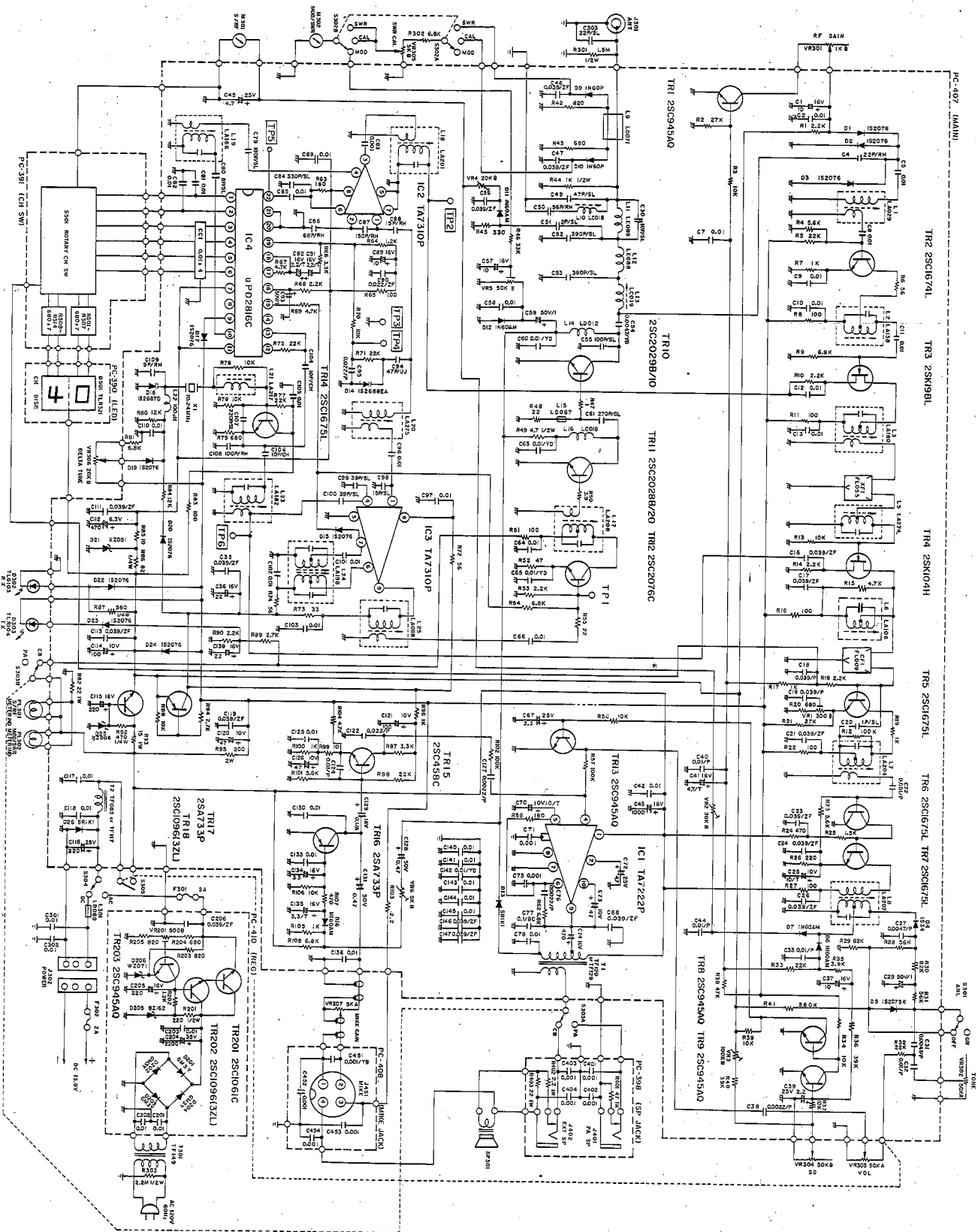


CIRCUIT DIAGRAM FOR COBRA 89GTL



- NOTES:**
1. RESISTANCE VALUES ARE SHOWN IN OHMS UNLESS OTHERWISE NOTED.
 2. IN R.F. AND I.F. STAGES, ALL CAPACITORS ARE OTHERWISE SPECIFIED.
 3. CAPACITANCE VALUES ARE INDICATED IN MICROFARADS UNLESS OTHERWISE SPECIFIED.
 4. ALL CAPACITORS UNLESS OTHERWISE SPECIFIED CHARACTERISTICS ARE YF UNLESS OTHERWISE NOTED.

