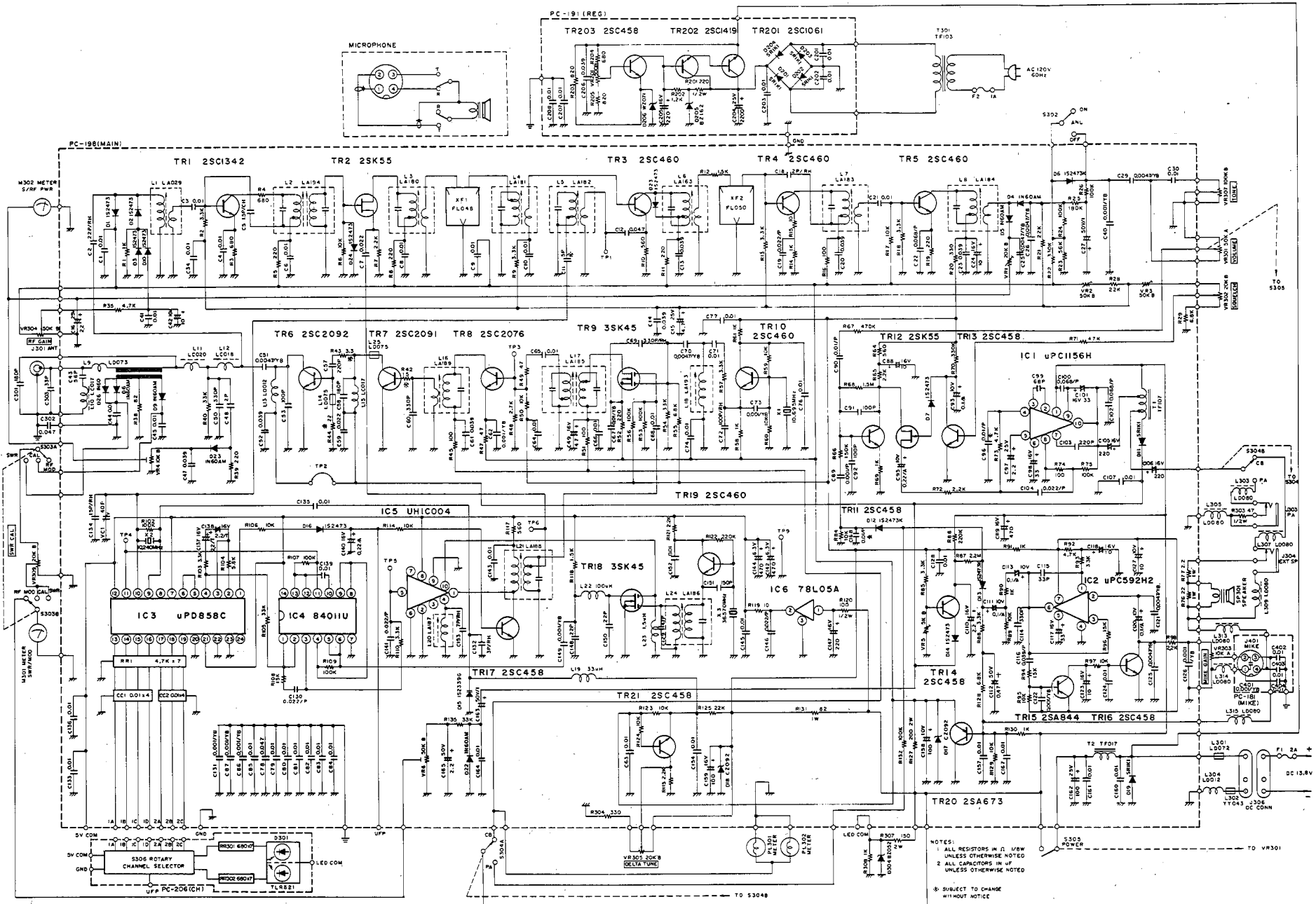


CIRCUIT DIAGRAM FOR COBRA 89XLR



BILL OF MATERIAL FOR COBRA 89XLR

CIRCUIT SYMBOL

DESCRIPTION

DYNAMSCAN PART NO.

CIRCUIT SYMBOL DESCRIPTION DYNAMSCAN PART NO.

IC, TRANSISTORS, & DIODES

IC-3 Integrated Circuit, 4PPD596C 307-095-9-004
IC-4 Integrated Circuit, AL89D011-U 307-113-9-001
IC-5 Integrated Circuit, DEC 087 307-112-9-001
IC-6 Integrated Circuit, gPC1156H 307-113-9-004
IC-7 Integrated Circuit, gPC592H 307-113-9-003
IC-8 Integrated Circuit, NAM/81D05A 307-113-9-003
TR-2,12 F.E.T., 2SK55-D 182-045-9-001
TR-9 F.E.T., 2SK45-B 182-038-9-001
TR-18 F.E.T., 2SK45-B09 182-038-9-001
TR-3,4,5,10,19 TR-3,4,5,10,19 176-074-9-001
TR-11,13,14,16,17,21,203 Transistor, 2SC342-B 176-072-9-005
Transistor, 2SC649-B 176-048-9-002
Transistor, 2SC20976-CB 176-069-9-004
Transistor, 2SC2091 176-074-9-002
Transistor, 2SA964-C 177-025-9-002
Transistor, 2SA673-C 177-025-9-001
Transistor, 2SC1061-NDN, Power 172-044-9-001
Transistor, 2SC1419-C 176-055-9-004
Diode, 1S2473 (Forming D type) 151-035-9-001
Diode, SRK-1 151-040-9-003
Diode, 1N60AM (Forming D type) 150-072-9-001
Diode, 1S2473-K (Forming D type) 151-066-9-001
Diode, WZ-071 (Forming D type) 152-075-9-001
Zener Diode, CZ-092 (Forming D type) 152-085-9-001
Zener Diode, BZ-162 (Forming D type) 152-082-6-02
Zener Diode, BZ-052 (Forming D type) 029-014-9-001
Varicap Diode, IS2359-G 158-014-9-001
Light Emitting Diode, TLN321

COILS & TRANSFORMERS

Coil, LA-029 066-017-9-001
Coil, LA-163 066-022-9-001
Coil, LA-194 066-024-9-012
Coil, LA-180 066-024-9-001
Coil, LA-181 066-024-9-002
Coil, LA-182 066-024-9-002
Coil, LA-183 066-024-9-004
Coil, LA-184 066-024-9-005
Coil, LA-185 066-024-9-006
Coil, LA-186 066-024-9-007
Coil, LA-187 066-024-9-008
Coil, LA-188 066-024-9-009
Coil, LA-189 066-024-9-010
Coil, LA-193 066-024-9-011

CIRCUIT SYMBOL

DESCRIPTION

DYNAMSCAN PART NO.

CIRCUIT SYMBOL

DESCRIPTION

DYNAMSCAN PART NO.

RESISTORS (Continued)

R-6,17,50,59,94,89,95,97,105,106,114,123,124,129 Carbon Resistor 10K ohm 1/8W J (Forming R type) 002-108-5-103
R-94,96 Carbon Resistor 15K ohm 1/8W J (Forming R type) 002-108-5-153
R-21,28,108,125 Carbon Resistor 22K ohm 1/8W J (Forming R type) 002-108-5-223
R-40,54,93,135 Carbon Resistor 33K ohm 1/8W J (Forming R type) 002-108-5-333
R-71 Carbon Resistor 47K ohm 1/8W J (Forming R type) 002-108-5-473
R-55 Carbon Resistor 56K ohm 1/8W J (Forming R type) 002-108-5-563
R-24,26,53,56 Carbon Resistor 68K ohm 1/8W J (Forming R type) 002-108-5-683
R-86 Carbon Resistor 100K ohm 1/8W J (Forming R type) 002-108-5-104
R-88 Carbon Resistor 150K ohm 1/8W J (Forming R type) 002-108-5-154
R-89 Carbon Resistor 200K ohm 1/8W J (Forming R type) 002-108-5-204
R-22,70 Carbon Resistor 330K ohm 1/8W J (Forming R type) 002-108-5-334
R-68 Carbon Resistor 470K ohm 1/8W J (Forming R type) 002-108-5-474
R-87 Carbon Resistor 1.5M ohm 1/8W J (Forming R type) 002-108-5-155
R-60 Carbon Resistor 2.2M ohm 1/4W J (U type) 002-108-5-225
R-303 Carbon Resistor 10K ohm 1/2W J (P type) 002-102-5-103
R-120 Carbon Resistor 47 ohm 1/2W J (P type) 002-102-5-101
R-201 Carbon Resistor 12W J (P type) 002-102-5-221
R-77 Metalized Resistor 2.2 ohm 1W K 013-011-9-001
R-76 Metalized Resistor 22 ohm 1W K 013-011-9-002
R-131 Metalized Resistor 82 ohm 1W K 013-015-9-001
R-307 Metalized Resistor 150 ohm 2W K 013-015-9-002
R-127 Metalized Resistor 200 ohm 2W K 013-015-9-002
RR-301,302 Composite Parts HA-008 527-076-9-002
RR-1 Composite Parts HA-009 527-076-9-001

CAPACITORS

C-112 Electrolytic Condenser 0.47u 50V 022-122-9-016
C-27,163 Electrolytic Condenser 1u 50V 022-144-9-001
C-165 Electrolytic Condenser 2.2u 50V 022-156-9-001
C-16,97 Electrolytic Condenser 2.2u 25V 022-153-9-001
C-18 Electrolytic Condenser 100u 25V 022-122-9-003
C-162 Electrolytic Condenser 100u 25V 022-159-002
C-110 Electrolytic Condenser 2.2u 25V 022-156-9-002
C-24,42,88,118,123 Electrolytic Condenser 10u 16V 022-144-9-004
C-49 Electrolytic Condenser 10u 16V 022-156-9-004
C-159 Electrolytic Condenser 47u 16V 022-099-9-005
C-105,106,147,205 Electrolytic Condenser 220u 16V 022-122-9-008
C-119 Electrolytic Condenser 470u 16V 022-099-9-006
C-158 Electrolytic Condenser 10u 10V 022-156-9-004
C-127 Electrolytic Condenser 10u 10V 022-099-9-004
C-142,144 Electrolytic Condenser 470u 6.3V 022-122-9-014
C-137,138 Tantalum Condenser 2.2u 16V M 027-024-9-001
C-83,111,113,120 Aluminum Condenser 0.1u 10V M 033-029-9-001
C-95,140 Mylar Condenser 0.022u 50V K 028-074-9-003
C-89 Mylar Condenser 0.01u 50V K 028-074-9-003
C-89,90 Mylar Condenser 0.022u 50V K 028-074-9-001
C-19,104,141,146 Mylar Condenser 0.039u 50V K 028-074-9-002

MISCELLANEOUS (Continued)

Pilot Lamp, PL-005 401-020-9-001
Speaker, SP-014 580-015-9-001
Mater. M1-085 320-088-9-001
M-301 320-089-9-001
Microphone, MK-057 562-018-9-001
M-type Jack, JK-035 773-060-9-001
Jack for Microphone, JK-058 773-073-9-001
3 F Consent 762-020-9-001
Jack for PA, JK-010 772-025-9-001
Insulation Sheet for TR 25C2091 345-050-9-001
Insulation Sheet for TR 25C1051 345-050-9-002
Insulation Sheet for IC, PC1198H 345-050-9-003
Print Cable, WT, TR-029 426-022-9-001
Print Holder, HH-009 757-033-9-001
Fuse, FS-001 1A 191-251-3-001
Fuse, FS-001 2A 191-251-3-002
Wire Gauge, YY-047 380-278-9-001
Lead Clamp, YY-048 380-284-9-001
Lead Clamp, YY-049 380-284-9-002
A/C Power Cord, WZ-001 420-001-9-009
DC Power Cord WD-07008B 427-022-9-001
Chassis 257-092-9-001
Back Panel 262-017-9-001
Bottom Metal Board 253-067-9-001
Switch Holder (right) 252-022-9-001
Panel Holder (left) 251-207-9-001
Panel Holder (right) 251-208-9-001
Lamp Holder (left) 251-173-9-003
Lamp Holder 251-209-9-001
Lamp Bracket 251-173-9-002
Heat Sink for Integrated Circuit 747-052-9-001
Heat Sink for Power Transistor 747-052-9-002
Microphone Hanger 741-074-9-001
Shield Board 763-082-9-001
Front Panel 265-151-9-001
Knob Vol 751-065-9-002
Knob for SWR/CAL 751-147-9-002
Knob for RF Gain 751-147-9-003
Channel Knob 260-113-9-001
Brand Plate 260-113-9-002
FCC Plate 492-014-9-001
Transmitter Card NA - 484-035-9-001
Serial No. Label NA - 484-035-9-001
Production Label NA - 763-085-9-003
Digital Window Seal NA - 342-040-9-001
Insulation Board

COILS & TRANSFORMERS (Continued)

L-10,15 Coil, LC-017 044-028-9-004
L-12 Coil, LC-018 041-056-9-003
L-11 Coil, LC-020 044-028-9-005
L-13 Coil, LD-012 044-028-9-003
L-9 Coil, LD-073 044-042-9-002
L-23 Micro Inductor, LZ-002 1.5u 041-069-9-001
L-19 Micro Inductor, LZ-001 3.9u 041-069-9-002
L-22 Micro Inductor, LZ-100 100u 041-069-9-004
L-2 Output Transformer, TF-017 044-029-9-006
L-2 Transformer, TF-103 065-134-9-001
L-301 Power Transformer, PT-103 044-042-9-001
L-302 Beads Core, LD-072 763-081-9-001
L-14 Beads Core, LD-075 763-081-9-001
L-25 Beads Core, LD-078 763-081-9-001
L-309,313,314,315 Coil, LD-080 044-045-9-001

VARIABLE RESISTORS

V-R-5 Semi-fixed Resistor, RV-133 5KB 008-308-9-004
V-R-4 Semi-fixed Resistor, RV-133 10KB 008-311-9-001
V-R-2,3,6 Semi-fixed Resistor, RV-133 50KB 008-308-9-005
V-R-1 Semi-fixed Resistor, RV-133 500B 008-312-9-001
V-R-10 Semi-fixed Resistor, RV-133 20KB 008-311-9-002
V-R-302 Variable Resistor, RV-094 20KB 008-308-9-001
V-R-305 Variable Resistor, RV-094 20KB 008-308-9-001
V-R-306 Variable Resistor, RV-094 20KB 008-308-9-001
V-R-307 Variable Resistor, RV-216 100B 008-312-9-001
V-R-308 Variable Resistor, RV-216 50KB,20KB 008-312-9-001
V-R-301 Variable Resistor, RV-197 50KA 008-308-9-003

RESISTORS

R-43 Carbon Resistor 3.3 ohm 1/8W J (Forming R type) 002-108-5-339
R-15,44,119 Carbon Resistor 10 ohm 1/8W J (Forming R type) 002-108-5-100
R-42 Carbon Resistor 47 ohm 1/8W J (Forming R type) 002-108-5-150
R-47,49 Carbon Resistor 100 ohm 1/8W J (Forming R type) 002-108-5-101
R-16,45,51,74 Carbon Resistor 82 ohm 1/8W J (Forming R type) 002-108-5-101
R-38,5,11,19,39,52 Carbon Resistor 220 ohm 1/8W J (Forming R type) 002-108-5-221
R-20,304 Carbon Resistor 330 ohm 1/8W J (Forming R type) 002-108-5-331
R-10,94,117 Carbon Resistor 560 ohm 1/8W J (Forming R type) 002-108-5-561
R-3,4,103,204 Carbon Resistor 820 ohm 1/8W J (Forming R type) 002-108-5-821
R-202 Carbon Resistor 1K ohm 1/8W J (Forming R type) 002-108-5-102
R-202 Carbon Resistor 1.2K ohm 1/8W J (Forming R type) 002-108-5-122
R-12,118 Carbon Resistor 1.5K ohm 1/8W J (Forming R type) 002-108-5-152
R-7,65,98,115,127 Carbon Resistor 2.2K ohm 1/8W J (Forming R type) 002-108-5-222
R-48 Carbon Resistor 2.7K ohm 1/8W J (Forming R type) 002-108-5-272
R-9,13,18,57,85 Carbon Resistor 3.3K ohm 1/8W J (Forming R type) 002-108-5-332
R-8,110 Carbon Resistor 4.7K ohm 1/8W J (Forming R type) 002-108-5-472
R-104 Carbon Resistor 5.6K ohm 1/8W J (Forming R type) 002-108-5-562
R-9,128 Carbon Resistor 6.8K ohm 1/8W J (Forming R type) 002-108-5-689

CAPACITORS (Continued)

Mylar Condenser 0.008u 50V K 025-060-9-002
Ceramic Condenser 0.0047u 25V Z YB 020-178-9-018
C-5 Ceramic Condenser 1.5p 50V C CH 020-178-9-001
C-132 Ceramic Condenser 3p 50V C RH 020-109-9-003
C-18 Ceramic Condenser 2p 50V C RH 020-176-9-003
C-153 Ceramic Condenser 7p 50V C RH 020-179-9-001
C-134 Ceramic Condenser 15p 50V J RH 020-176-9-005
C-43 Ceramic Condenser 56p 50V J RH 020-176-9-007
C-69 Ceramic Condenser 47p 50V J RH 020-178-9-006
C-29 Ceramic Condenser 22p 50V J RH 020-178-9-005
C-72 Ceramic Condenser 100p 50V J HH 020-109-9-010
C-148,150 Ceramic Condenser 5p 50V C SL 020-109-9-010
C-115,303 Ceramic Condenser 22p 50V K SL 020-125-9-001
C-103 Ceramic Condenser 68p 50V K SL 020-148-9-001
C-48 Ceramic Condenser 2p 50V K SL 020-176-9-003
C-53,72,91,92 Ceramic Condenser 100p 50V K SL 020-179-9-008
C-151 Ceramic Condenser 150p 50V K SL 020-179-9-008
C-58,301 Ceramic Condenser 180p 50V K SL 020-179-9-003
C-57,99 Ceramic Condenser 220p 50V K SL 020-109-9-013
C-59,60,114 Ceramic Condenser 330p 50V K SL 020-176-9-011
C-28,40,73,86,87,122,126,131,149 Ceramic Condenser 0.001u 25V Z YB 020-178-9-017
401
C-1,3,4,8,8,9,10,21,30,34,41,44,46,52,53,64,65,96,98,101,102,106,107,108,109,112,128,136,137,138,139,143,145,152,154,157,160,161,164,167,201,202,203,207,208,402,403,404,405,406,407,408,409,410,411,412,413,414,415,416,417,418,419,420,421,422,423,424,425,426,427,428,429,430,431,432,433,434,435,436,437,438,439,440,441,442,443,444,445,446,447,448,449,450,451,452,453,454,455,456,457,458,459,460,461,462,463,464,465,466,467,468,469,470,471,472,473,474,475,476,477,478,479,480,481,482,483,484,485,486,487,488,489,490,491,492,493,494,495,496,497,498,499,500,501,502,503,504,505,506,507,508,509,510,511,512,513,514,515,516,517,518,519,520,521,522,523,524,525,526,527,528,529,530,531,532,533,534,535,536,537,538,539,540,541,542,543,544,545,546,547,548,549,550,551,552,553,554,555,556,557,558,559,560,561,562,563,564,565,566,567,568,569,570,571,572,573,574,575,576,577,578,579,580,581,582,583,584,585,586,587,588,589,590,591,592,593,594,595,596,597,598,599,600,601,602,603,604,605,606,607,608,609,610,611,612,613,614,615,616,617,618,619,620,621,622,623,624,625,626,627,628,629,630,631,632,633,634,635,636,637,638,639,640,641,642,643,644,645,646,647,648,649,650,651,652,653,654,655,656,657,658,659,660,661,662,663,664,665,666,667,668,669,670,671,672,673,674,675,676,677,678,679,680,681,682,683,684,685,686,687,688,689,690,691,692,693,694,695,696,697,698,699,700,701,702,703,704,705,706,707,708,709,710,711,712,713,714,715,716,717,718,719,720,721,722,723,724,725,726,727,728,729,730,731,732,733,734,735,736,737,738,739,740,741,742,743,744,745,746,747,748,749,750,751,752,753,754,755,756,757,758,759,760,761,762,763,764,765,766,767,768,769,770,771,772,773,774,775,776,777,778,779,780,781,782,783,784,785,786,787,788,789,790,791,792,793,794,795,796,797,798,799,800,801,802,803,804,805,806,807,808,809,810,811,812,813,814,815,816,817,818,819,820,821,822,823,824,825,826,827,828,829,830,831,832,833,834,835,836,837,838,839,840,841,842,843,844,845,846,847,848,849,850,851,852,853,854,855,856,857,858,859,860,861,862,863,864,865,866,867,868,869,870,871,872,873,874,875,876,877,878,879,880,881,882,883,884,885,886,887,888,889,890,891,892,893,894,895,896,897,898,899,900,901,902,903,904,905,906,907,908,909,910,911,912,913,914,915,916,917,918,919,920,921,922,923,924,925,926,927,928,929,930,931,932,933,934,935,936,937,938,939,940,941,942,943,944,945,946,947,948,949,950,951,952,953,954,955,956,957,958,959,960,961,962,963,964,965,966,967,968,969,970,971,972,973,974,975,976,977,978,979,980,981,982,983,984,985,986,987,988,989,990,991,992,993,994,995,996,997,998,999,1000

MISCELLANEOUS

Ceramic Filter, FL-049 140-018-9-001
Ceramic Filter, FL-049 140-018-9-002
Rotary Switch, SR-151 083-223-9-001
Slide Switch, SW-048 084-055-9-001
Slide Switch, SW-049 084-058-9-001
Cap Connector, YY-008 763-085-9-002
CRYSTALS
Crystal, CX-077 10.240MHZ 133-014-9-001
Crystal, CX-078 10.695MHZ 133-014-9-002
Crystal, CX-079 36.570MHZ 133-014-9-003
MISCELLANEOUS
Ceramic Filter, FL-049 140-018-9-001
Ceramic Filter, FL-049 140-018-9-002
Rotary Switch, SR-151 083-223-9-001
Slide Switch, SW-048 084-055-9-001
Slide Switch, SW-049 084-058-9-001
Cap Connector, YY-008 763-085-9-002

MISCELLANEOUS (Continued)

Speaker Net 763-085-9-004
Rubber Washer 347-072-9-001
Wood Tac 91 mm W x 13 mm L 768-086-9-001
Wood Tac 180 mm W x 10 mm L 769-096-9-001
Wood Tac 330 mm W x 10 mm L 769-096-9-002
Meter Cushion 769-096-9-003
Chobert Rivet 723-023-9-001
Rubber Foot 881-079-9-001
Spring Stopper 384-267-9-001
Spring for SWR/CAL Knob 763-084-9-003
Spring for RF Gain Knob 763-085-9-005
Spring for Channe Knob 763-085-9-006
Binding Screw M2.4 Ni PBH NPL, Mech. Sc 345-062-9-001
Binding Screw M2.6 x 4 Ni PBH NPL 634-073-9-001
Binding Screw M2.6 Ni PBH NPL 634-073-9-001
+Blind Screw M3x6 Ni PBH NPL, Mech. Screw 634-053-9-001
+Blind Screw M4x10 Ni PBH NPL, Mech. Screw 634-084-9-001
+Blind Screw M5x10 Ni PBH NPL, Mech. Screw 634-077-9-002
+Blind Screw M3x6 PBH Mech. Screw 634-084-9-002
Blind Tap Tight M3x6 Ni + PBH 710-021-9-004
Blind Tap Tight M3x14 Ni + PBH 710-022-9-002
Blind Tapping Screw 3/8 x 10 710-022-9-002
Blind Tapping Screw 3/8 x 10 710-021-9-001
Tapping 3/8 x 8 ZMC PBH SM Chromated (Type B1) 710-021-9-001
Nut M4 with Celede ZMC Hex 653-037-9-001
Spring Nut, 3/8 653-024-9-002
Plain Washer 3/8 724-021-9-001
Rugged Washer 3.5g 731-041-9-001
Stryfoam Box (left) 503-130-9-001
Stryfoam Box (right) 503-130-9-002
Display Box 500-310-9-001
Double Carton 488-197-9-001
Instruction Manual 489-103-9-001
Composite consisting of Schematic parts list 489-103-9-001
Service Station Card 482-042-9-001
FCC License Application Form 482-042-9-001
FCC License Application Form 482-042-9-001
FCC Temporary License Form 482-046-9-001
Part 95 of FCC Commissions Rules 481-138-9-001
Switch Stopper 763-085-9-006
Special Information Sheet, Sams's Requirement 496-110-9-001
Printed Circuit Board PC-198-AA 302-238-9-001
Flexible PC Board PC-206AAA 302-241-9-001
PC Board for AC power supply PC-191AA 302-242-9-001
PC Board for Microphone PC-181AA 302-239-9-001