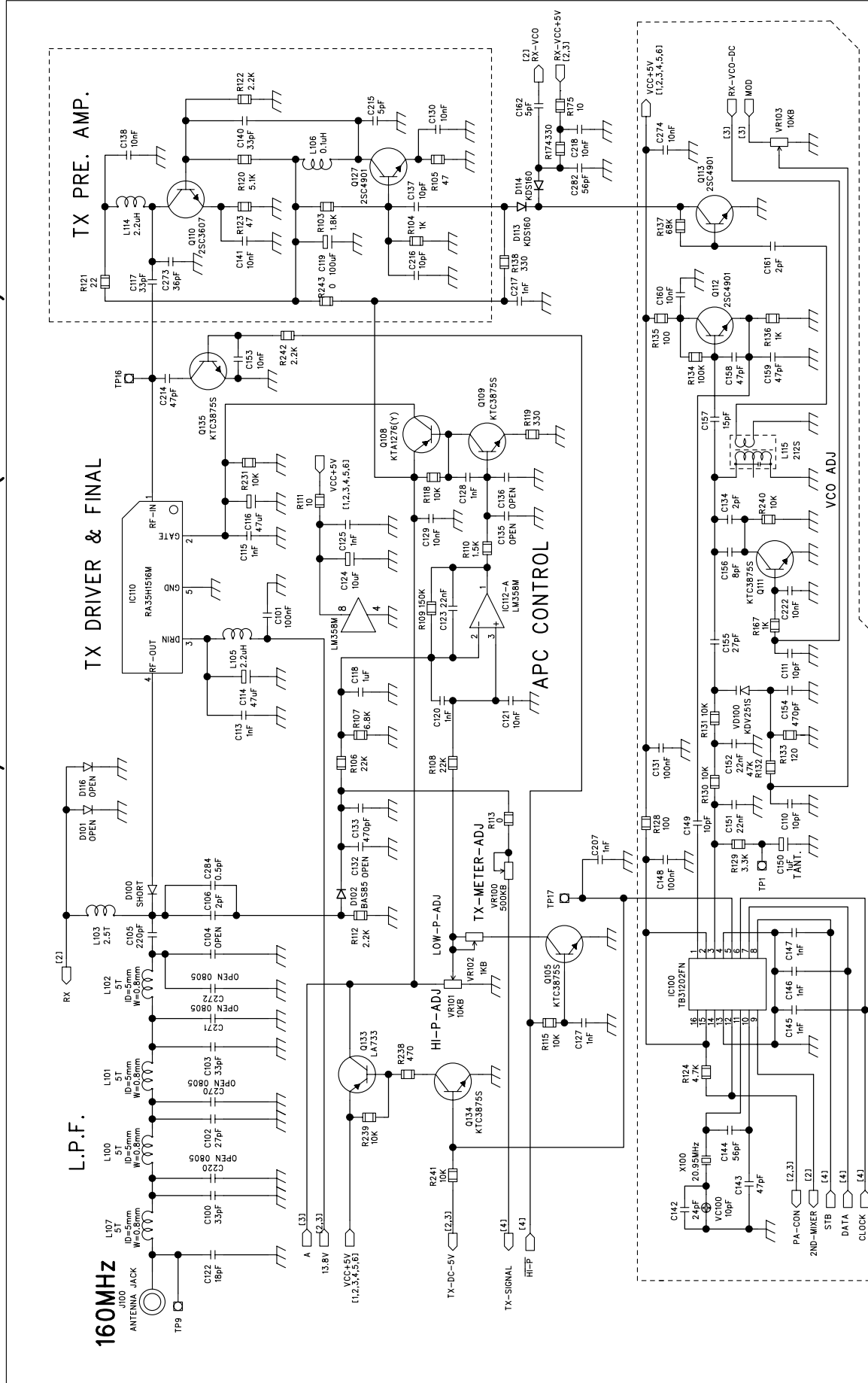


CIRCUIT DAIGRAM OF MRF75/55 TX RF SECTION (PAGE 1 OF 6)



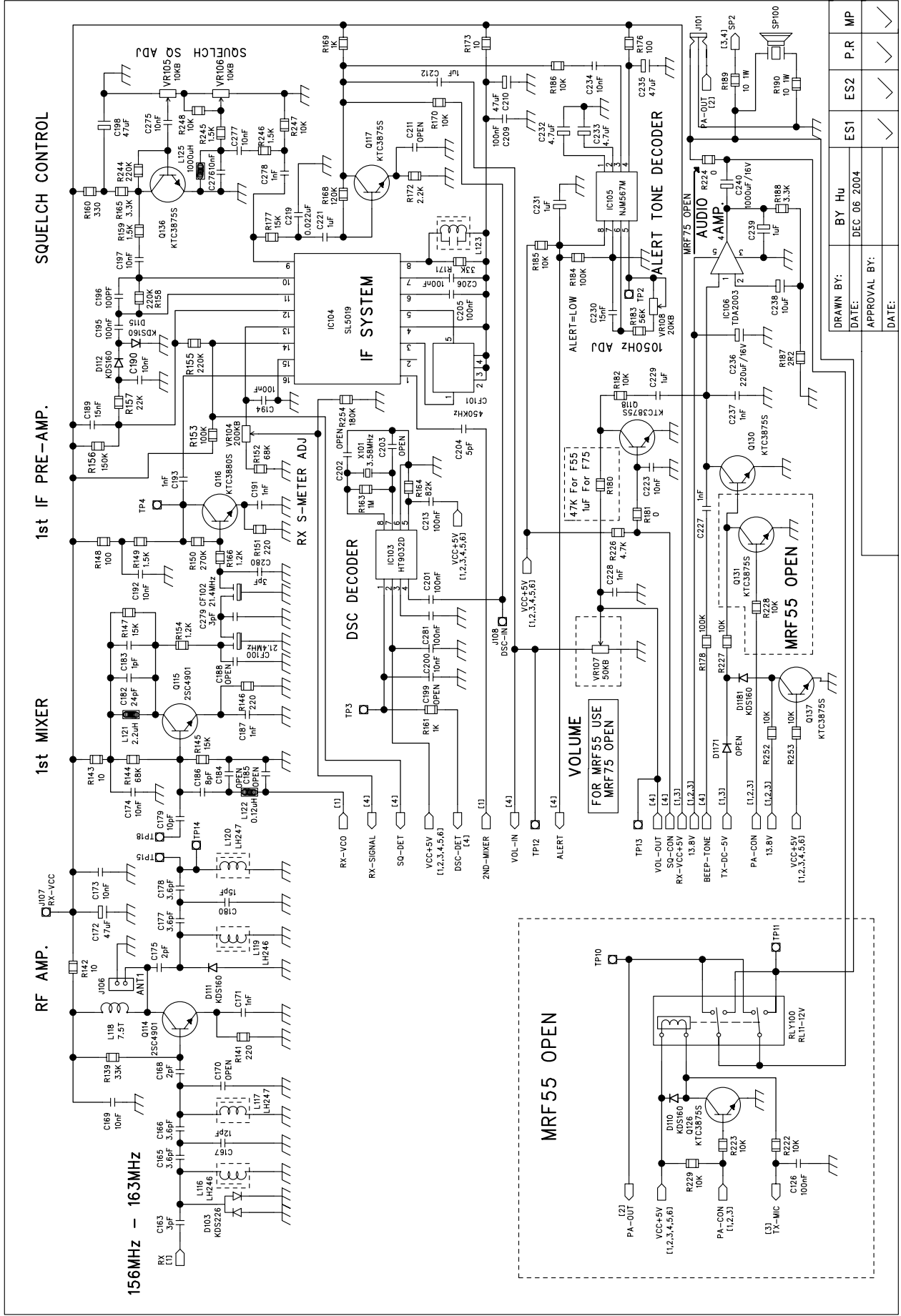
DRAWN BY: BY Hu		ES2	MP
DATE: DEC 06 2004		ES1	P.R
APPROVAL BY:		✓	✓
DATE:			

KEPC-722-F

VCO SECTION IN SHIELDING

TX VCO 156.025 - 157.425MHz  
RX VCO 134.650 - 141.150MHz

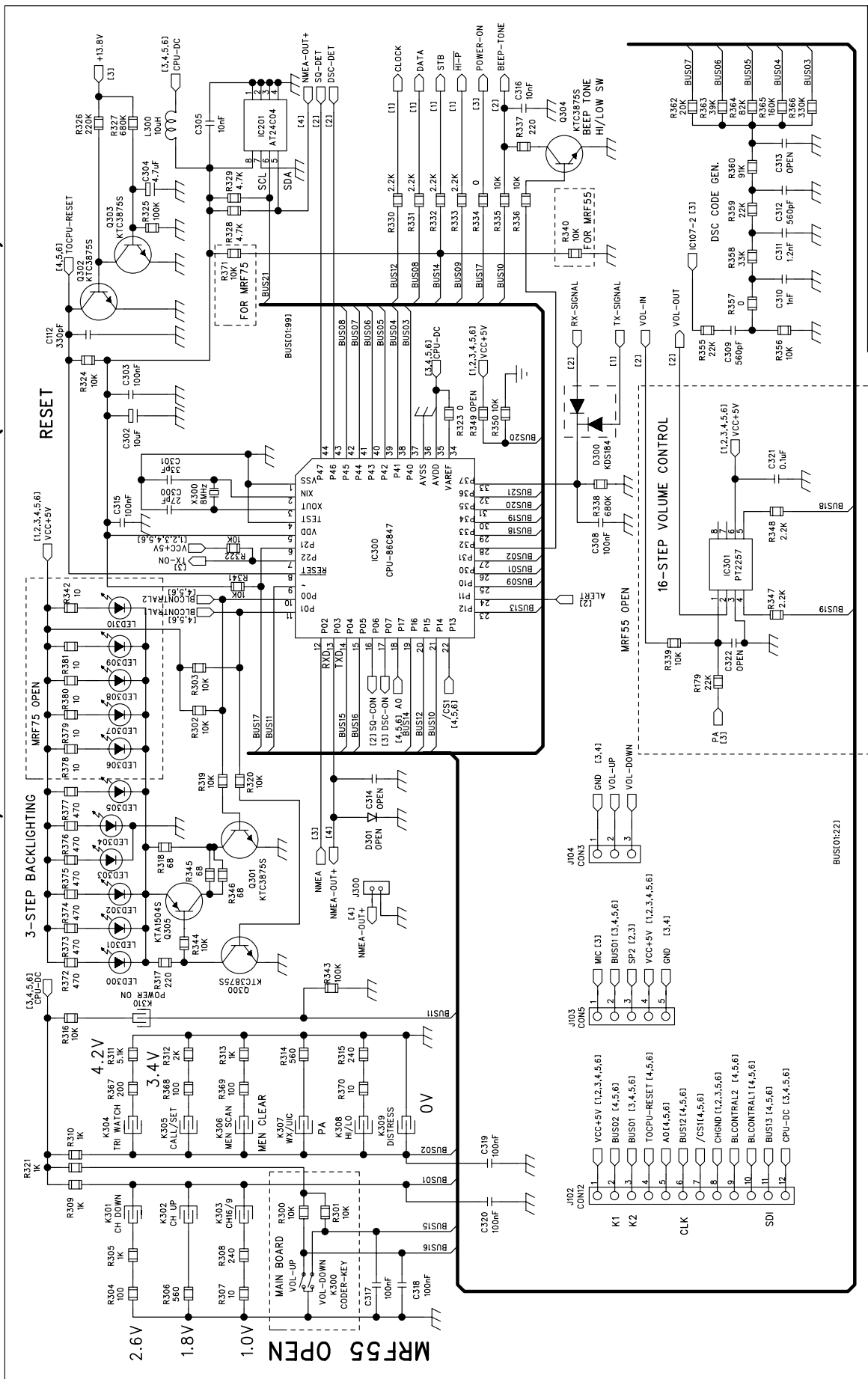
CIRCUIT DIAGRAM OF MRF75/55 RX SECTION (PAGE 2 OF 6)



DRAWN BY:	BY Hu	P.R	MP
DATE:	DEC 06 2004	ES1	ES2
APPROVAL BY:			
DATE:			

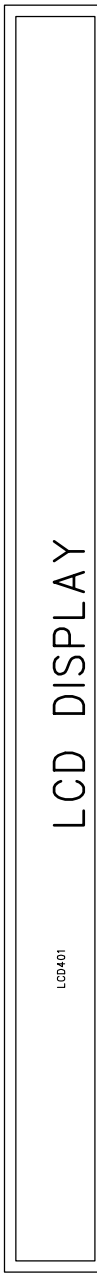


CIRCUIT DIAGRAM OF MRF75/55 FRONT PANEL SECTION (PAGE 4 OF 6)

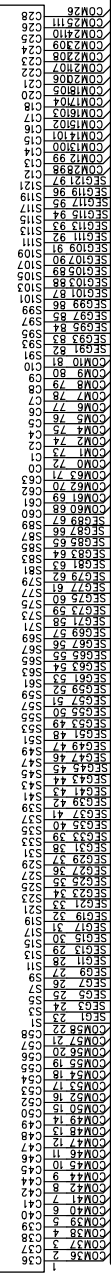


CIRCUIT DIAGRAM OF MRF75 RX SECTION (PAGE 5 OF 6)

MRF75 LCD DISPLAY

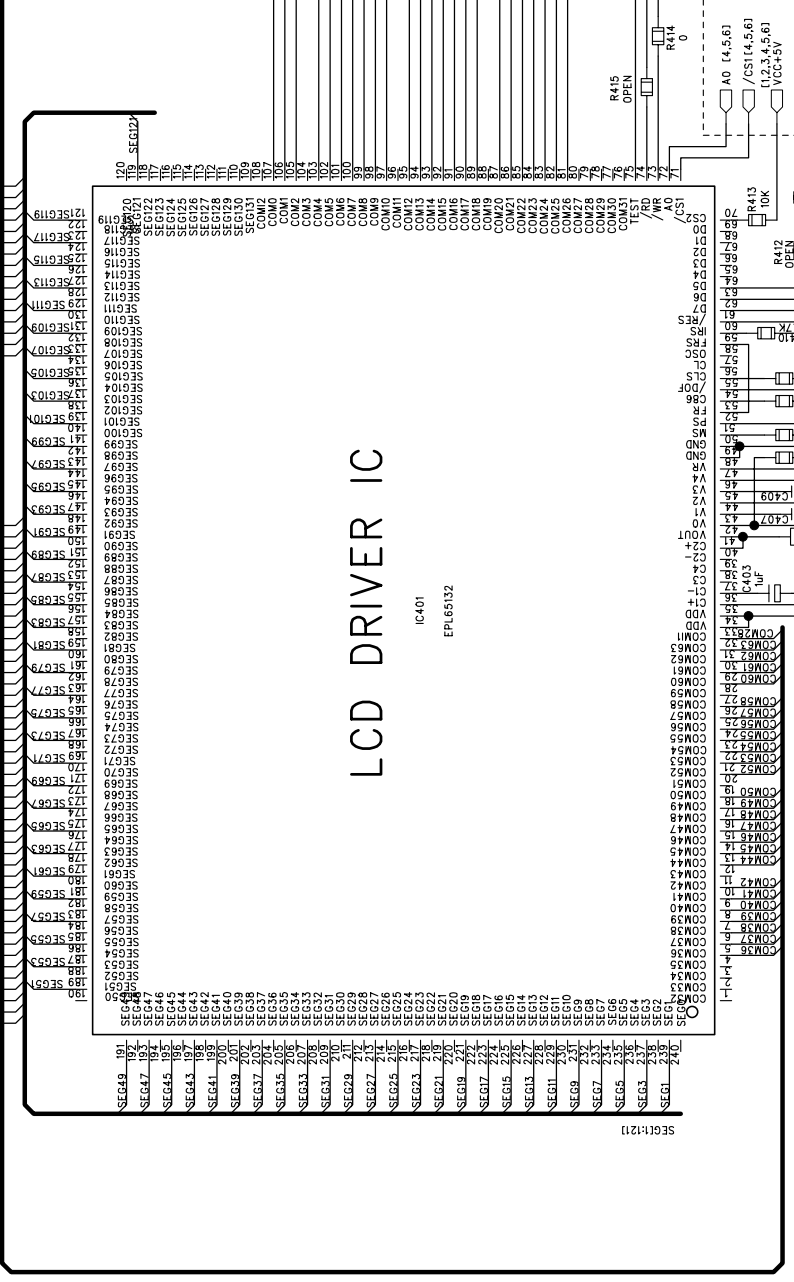


LCD401

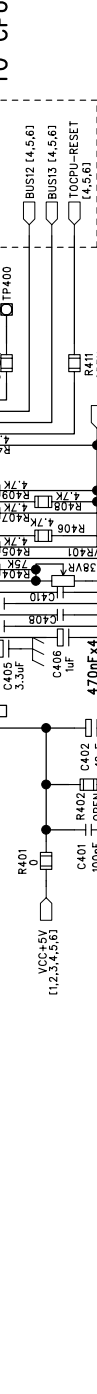
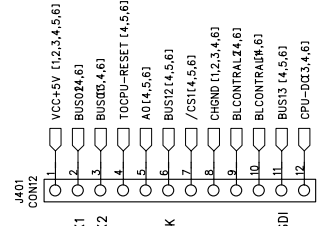


LCD DRIVER IC

IC401  
EPL6532



TO CPU

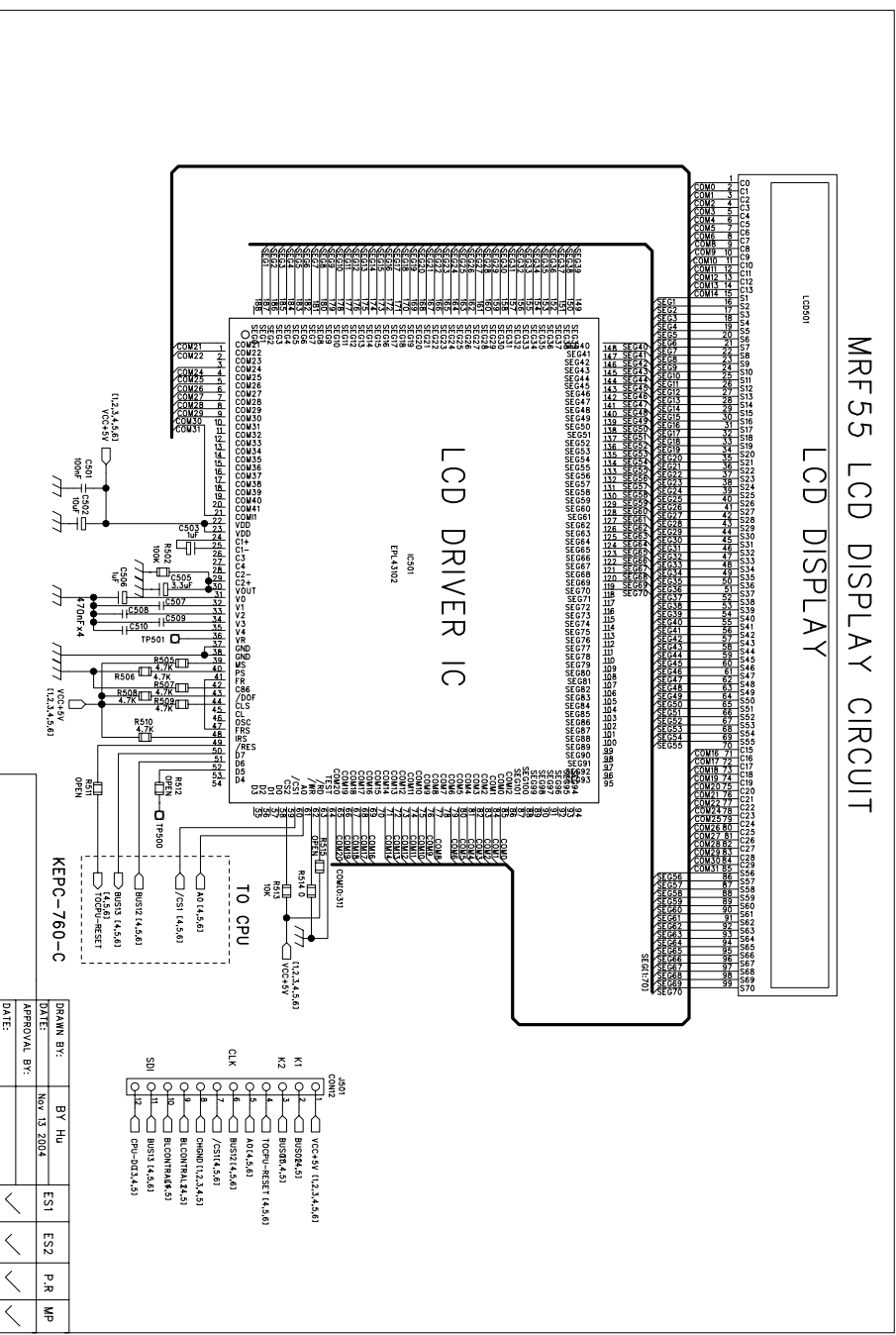


ES2	MP
ES1	P.R
BY Hu	
DATE: Nov 13 2004	
APPROVAL BY:	
DATE:	

KEPC-759-C

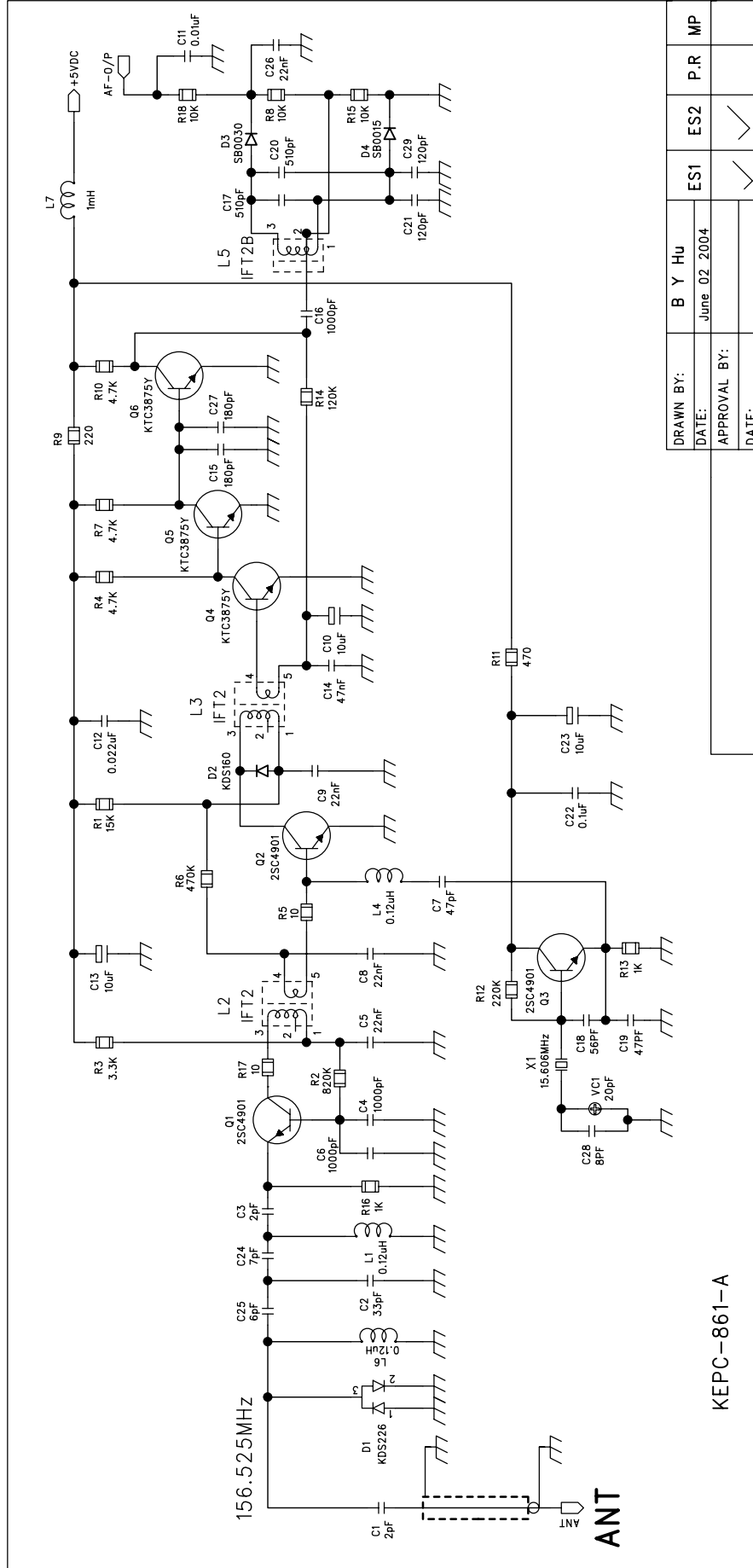
CIRCUIT DIAGRAM OF MRF55 RX SECTION (PAGE 6 OF 6)

MRF55 LCD DISPLAY CIRCUIT



DRAWN BY:	BY HU	ES1	ES2	P.R	MP
DATE:	NOV 13 2004				
APPROVAL BY:					
DATE:					

# DSC RECEIVER CIRCUIT DIAGRAM FOR MRF55/75



KEPC-861-A

DRAWN BY:	B Y Hu	ES1	ES2	P.R	MP
DATE:	June 02 2004	✓	✓		
APPROVAL BY:					
DATE:					