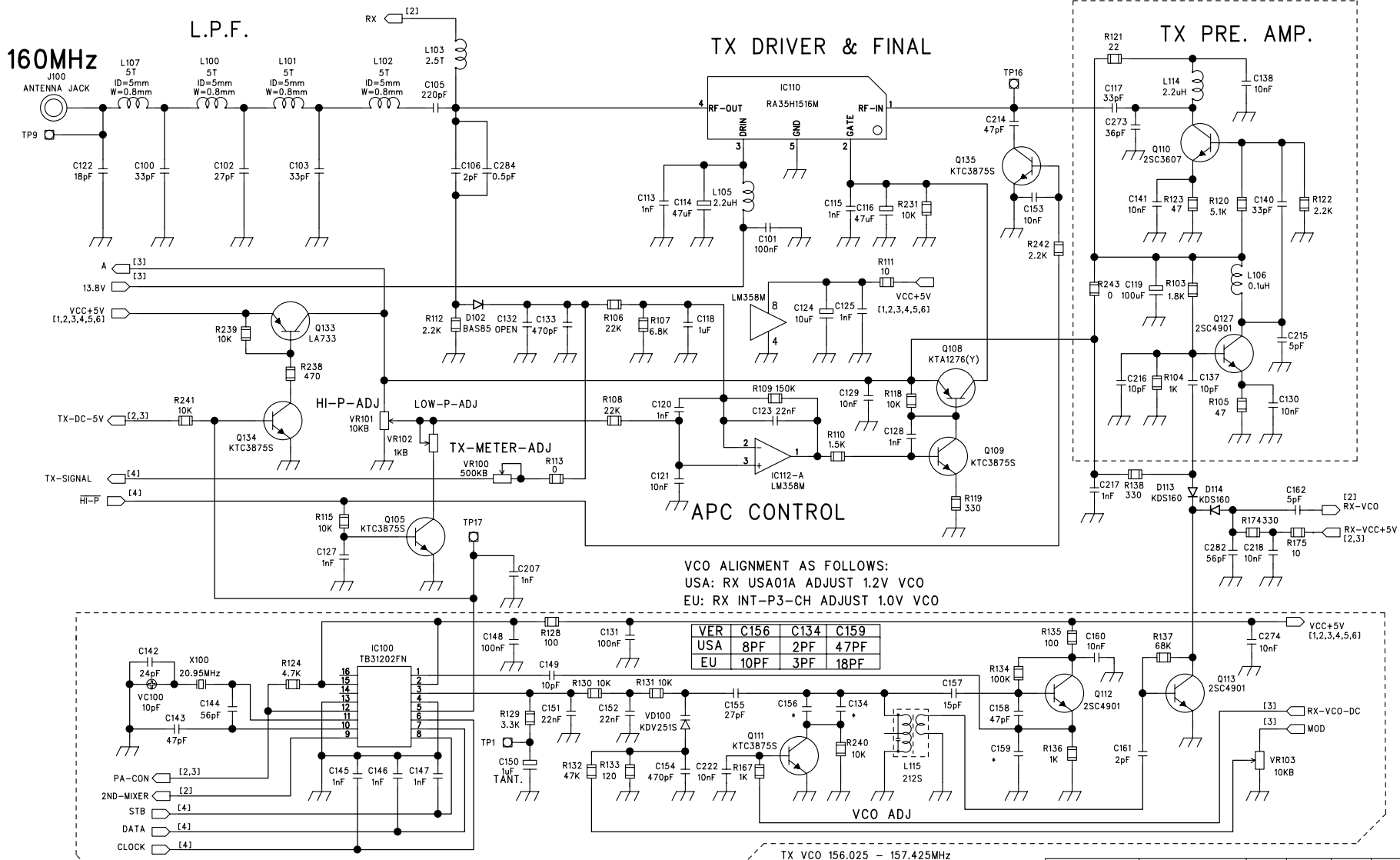


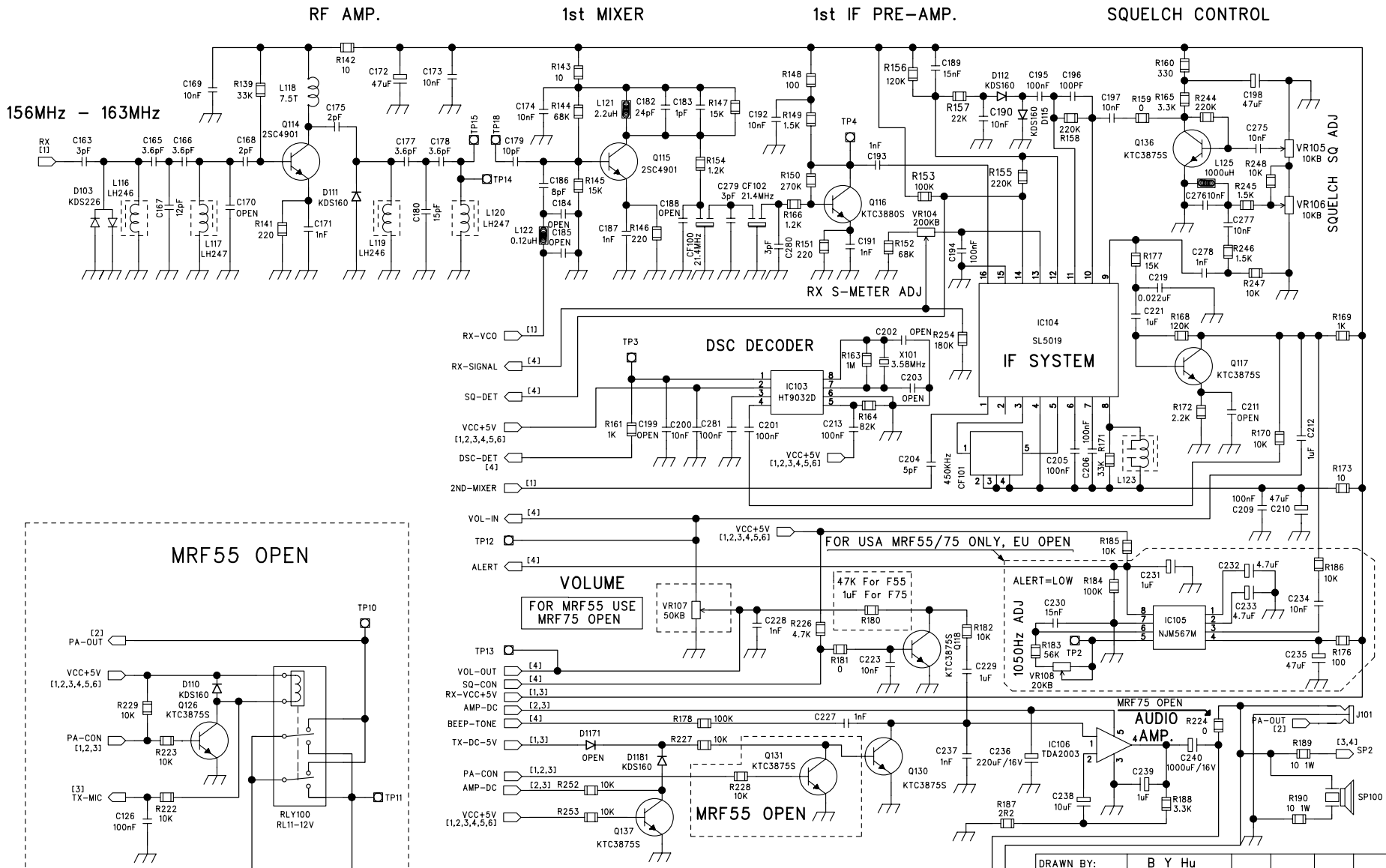
CIRCUIT DAIGRAM OF MRF75/55 TX RF SECTION (PAGE 1 OF 6)



VCO SECTION IN SHIELDING

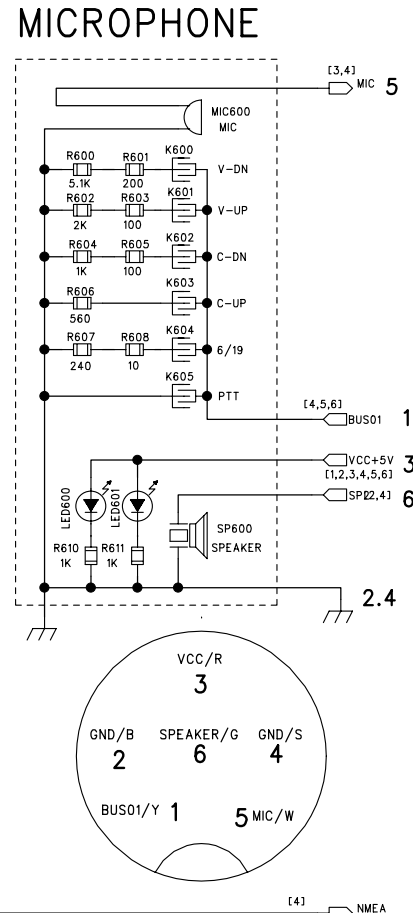
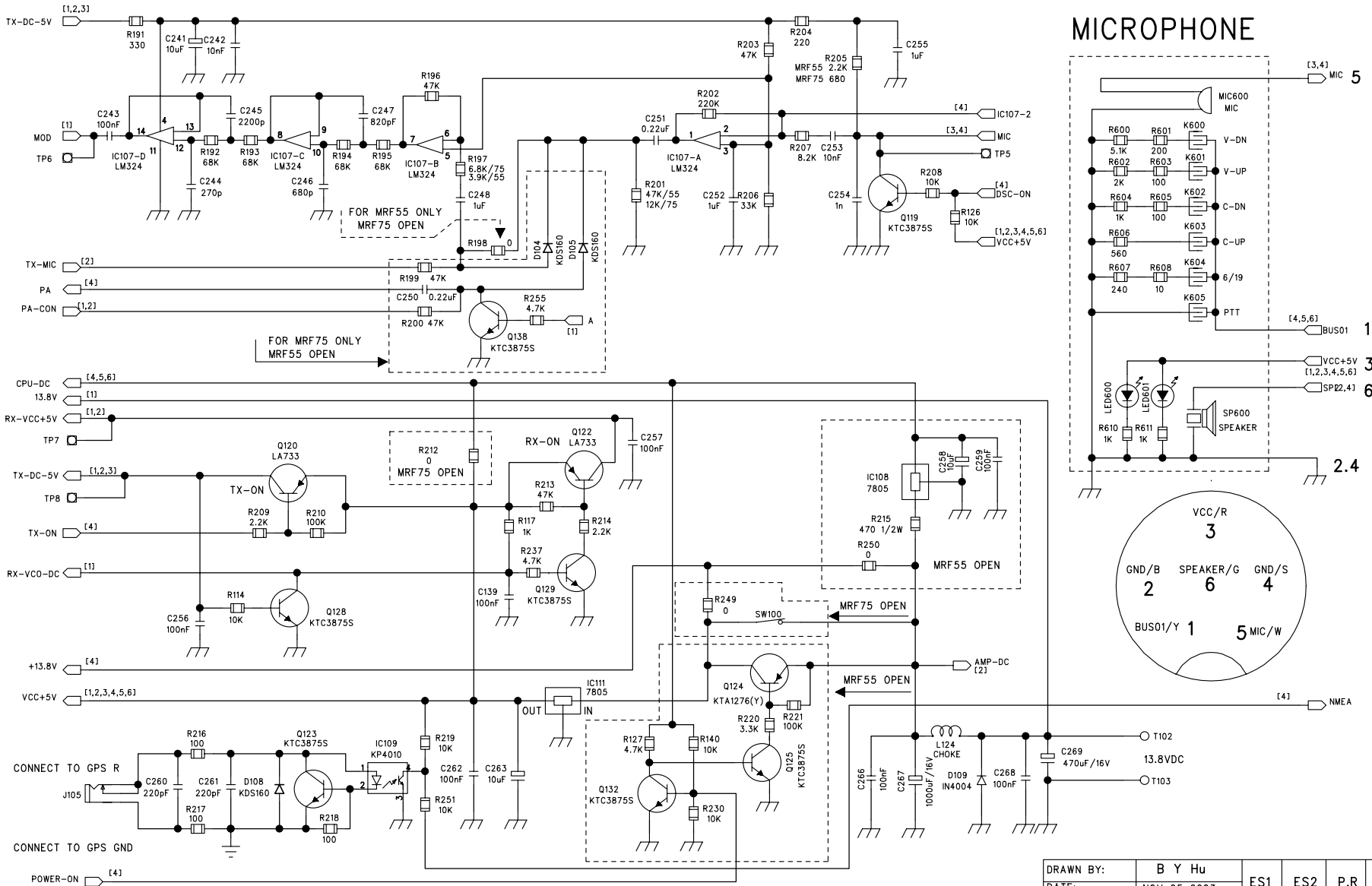
DRAWN BY:	B Y Hu	ES1	ES2	P.R	MP
DATE:	NOV 05 2003				
APPROVAL BY:		✓	✓	✓	✓
DATE:					

CIRCUIT DIAGRAM OF MRF75/55 RX SECTION (PAGE 2 OF 6)



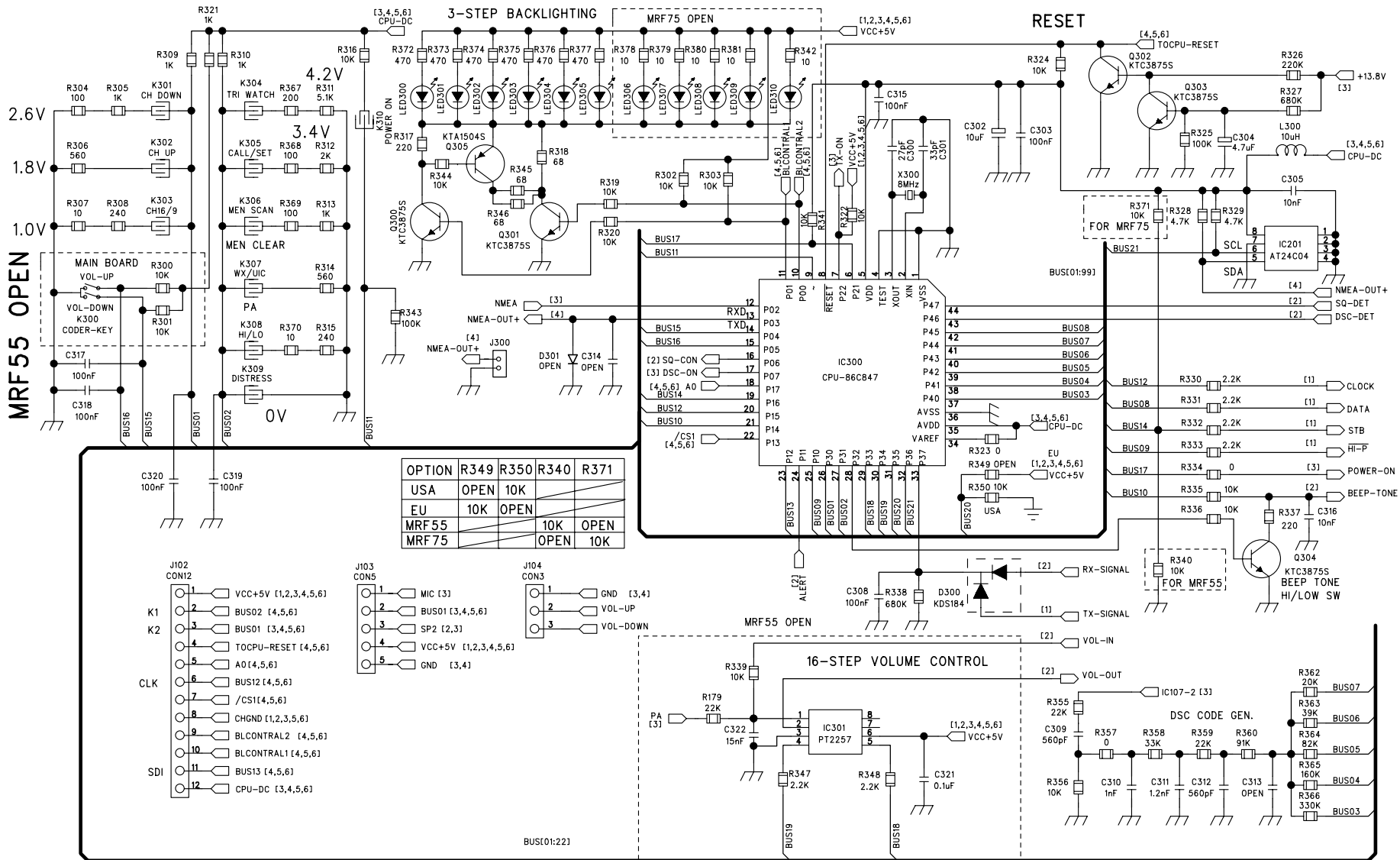
DRAWN BY:	B Y Hu	ES1	ES2	P.R	MP
DATE:	NOV 05 2003				
APPROVAL BY:		✓	✓	✓	✓
DATE:					

CIRCUIT DIAGRAM OF MRF75/55 POWER & MIC SECTION (PAGE 3 OF 6)



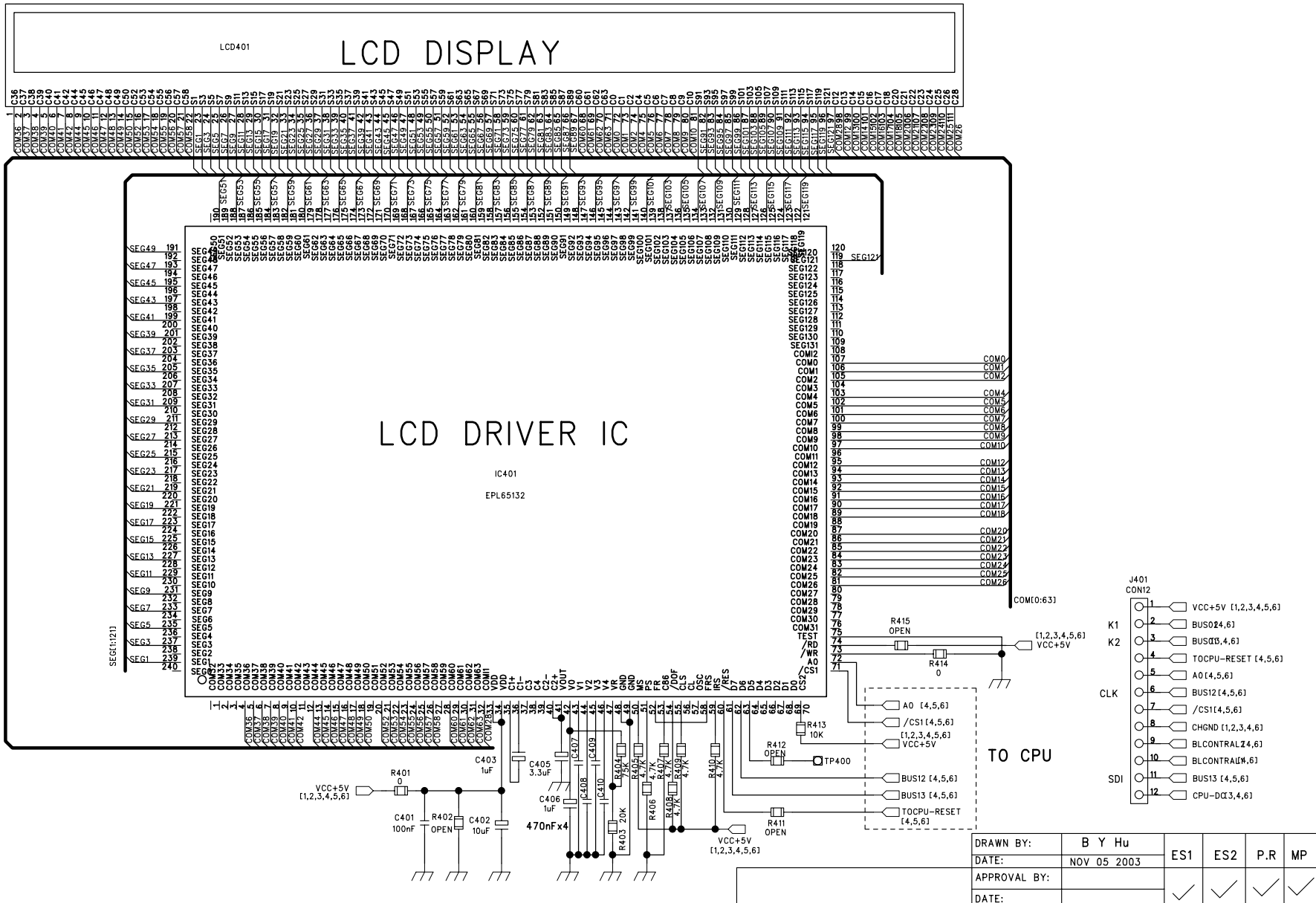
DRAWN BY:	B Y Hu	ES1	ES2	P.R	MP
DATE:	NOV 05 2003				
APPROVAL BY:		✓	✓	✓	✓
DATE:					

CIRCUIT DIAGRAM OF MRF75/55 FRONT PANEL SECTION (PAGE 4 OF 6)



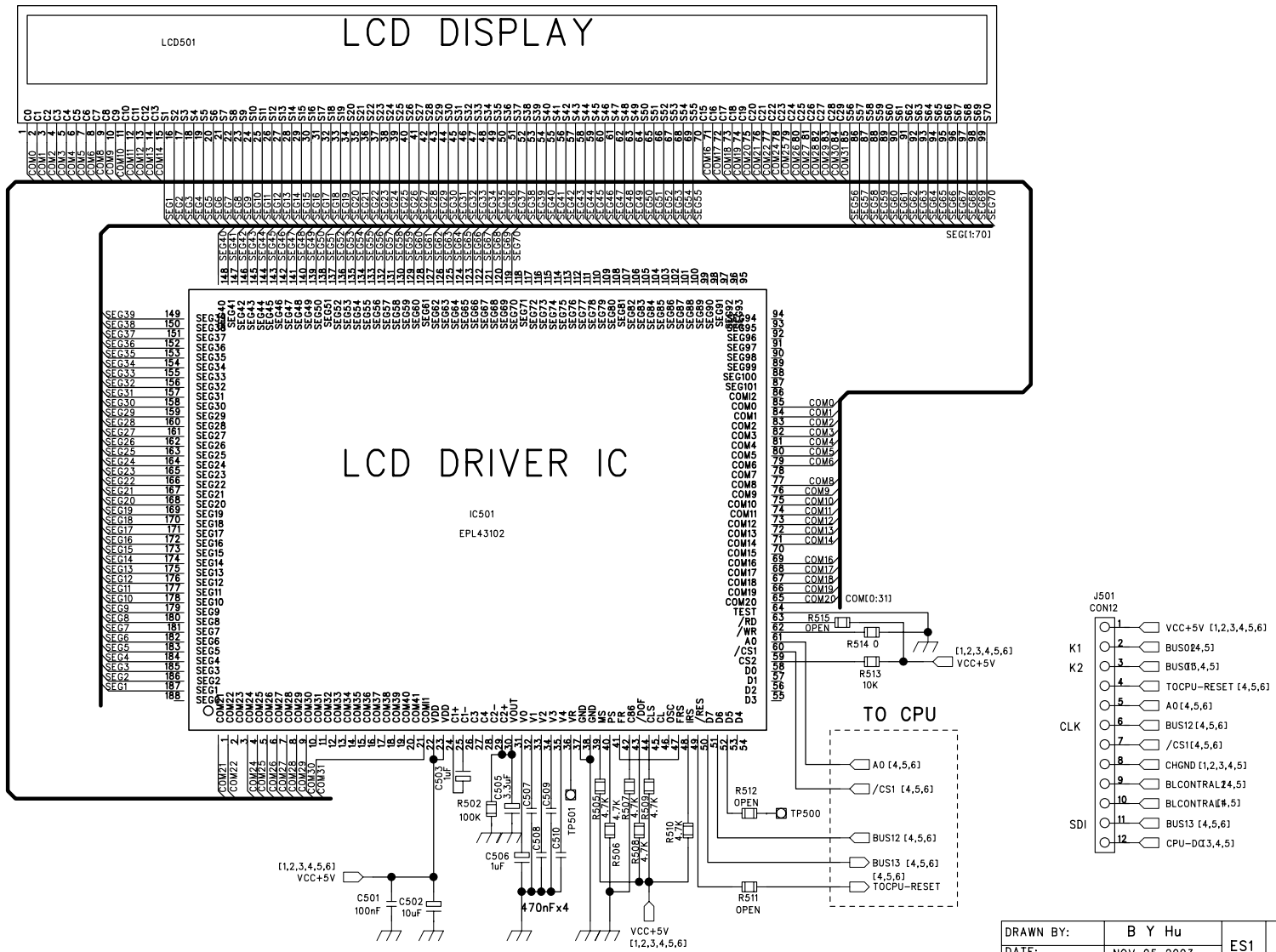
DRAWN BY:	B Y Hu	ES1	ES2	P.R	MP
DATE:	NOV 05 2003				
APPROVAL BY:		✓	✓	✓	✓
DATE:					

MRF75 LCD DISPLAY CIRCUIT



DRAWN BY:	B Y Hu	ES1	ES2	P.R	MP
DATE:	NOV 05 2003				
APPROVAL BY:					
DATE:		✓	✓	✓	✓

MRF55 LCD DISPLAY CIRCUIT



DRAWN BY:	B Y Hu	ES1	ES2	P.R	MP
DATE:	NOV 05 2003				
APPROVAL BY:		✓	✓	✓	✓
DATE:					