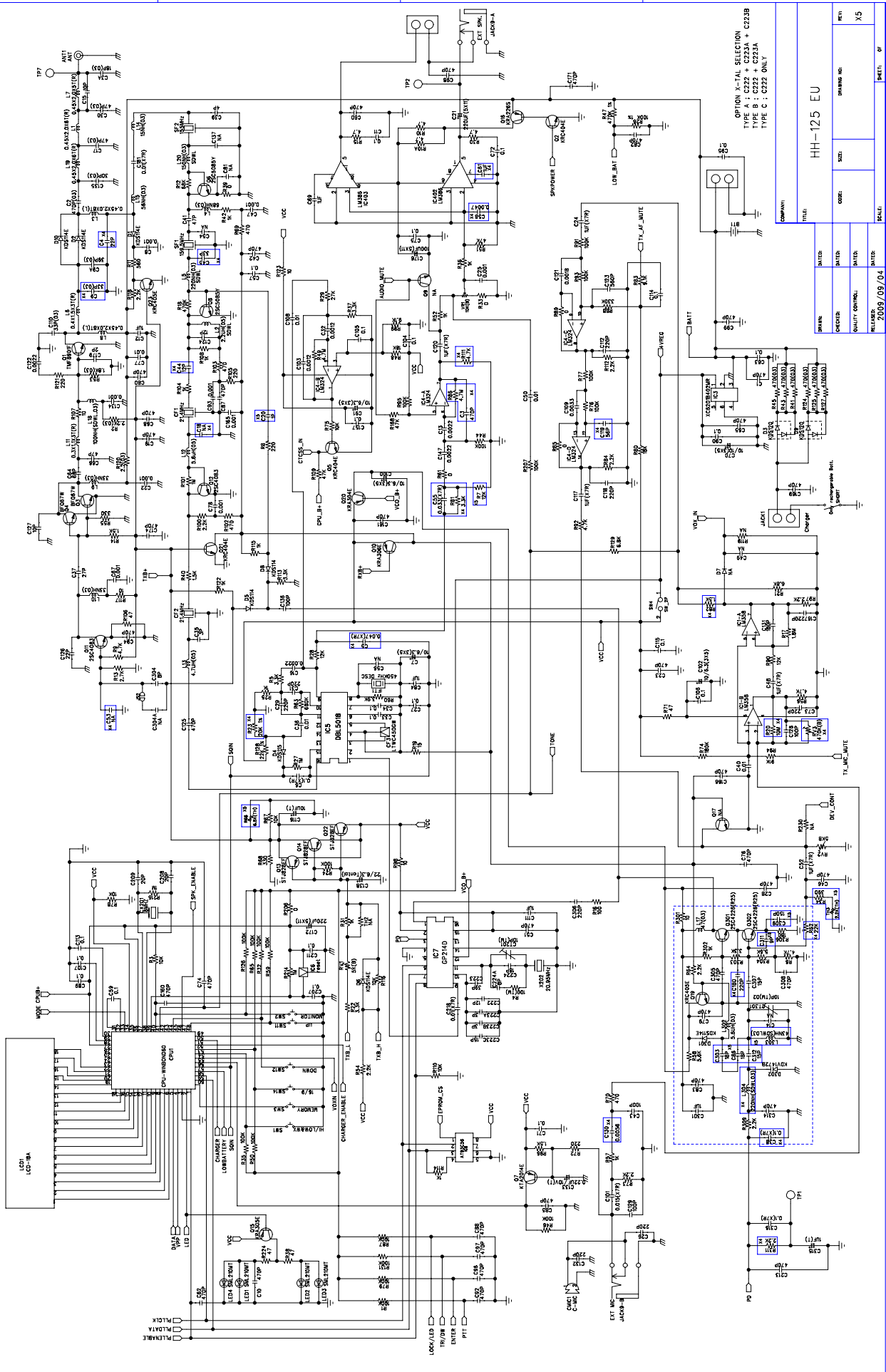


REV	DATE	BY	CHKD

1	
2	
3	
4	
5	
6	

HH-125 SCHEMATIC DIAGRAM



OPTION X-TAL SELECTION
 TYPE A : C222 + C223A + C223B
 TYPE B : C222 + C223A
 TYPE C : C222 ONLY

DATE	
DESIGNER	
QUALITY CONTROL	
RELEASED	2009/05/04

COMPANY	
FILE	HH-125 EU
SIZE	
CODE	
DATE	
DATE	
DATE	

REV	X5
DATE	
DATE	
DATE	

DATE	
DATE	
DATE	
DATE	

DATE	
DATE	
DATE	
DATE	

DATE	
DATE	
DATE	
DATE	

DATE	
DATE	
DATE	
DATE	

DATE	
DATE	
DATE	
DATE	

DATE	
DATE	
DATE	
DATE	

DATE	
DATE	
DATE	
DATE	