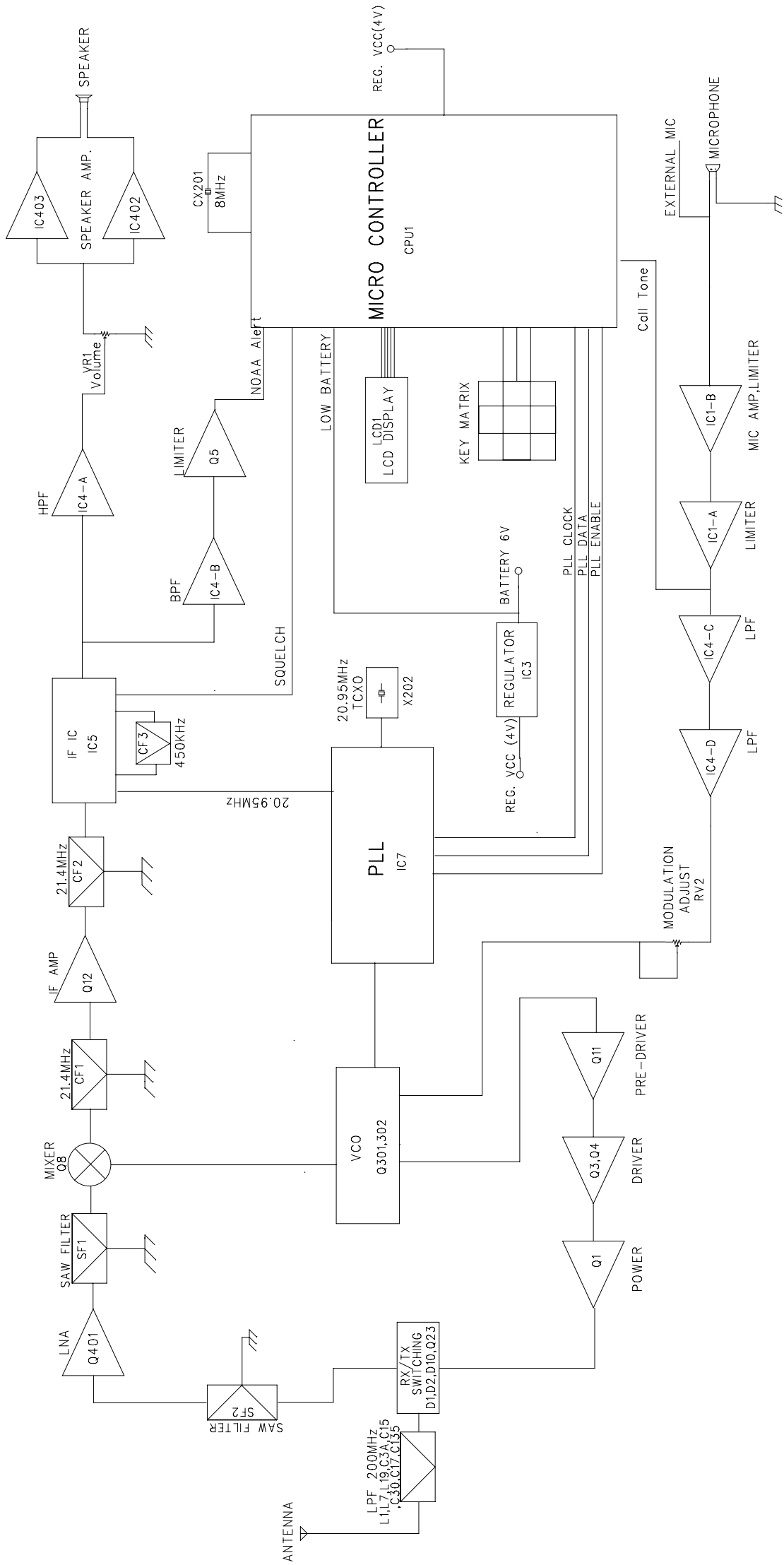


HH-125 BLOCK DIAGRAM



BLOCK DIAGRAM			
Title	HH125_BLK	PCB No	REV
Drawn	Sheet	Drawing No	